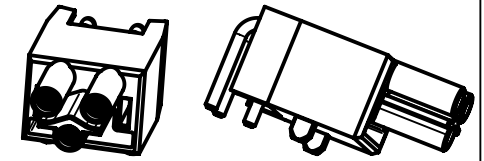
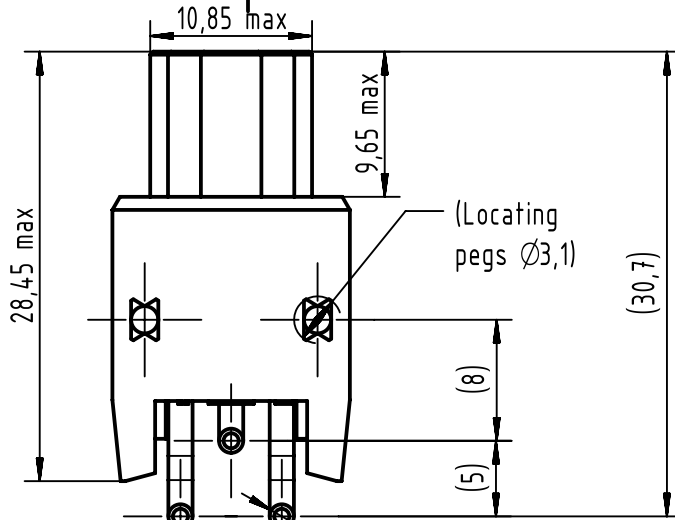
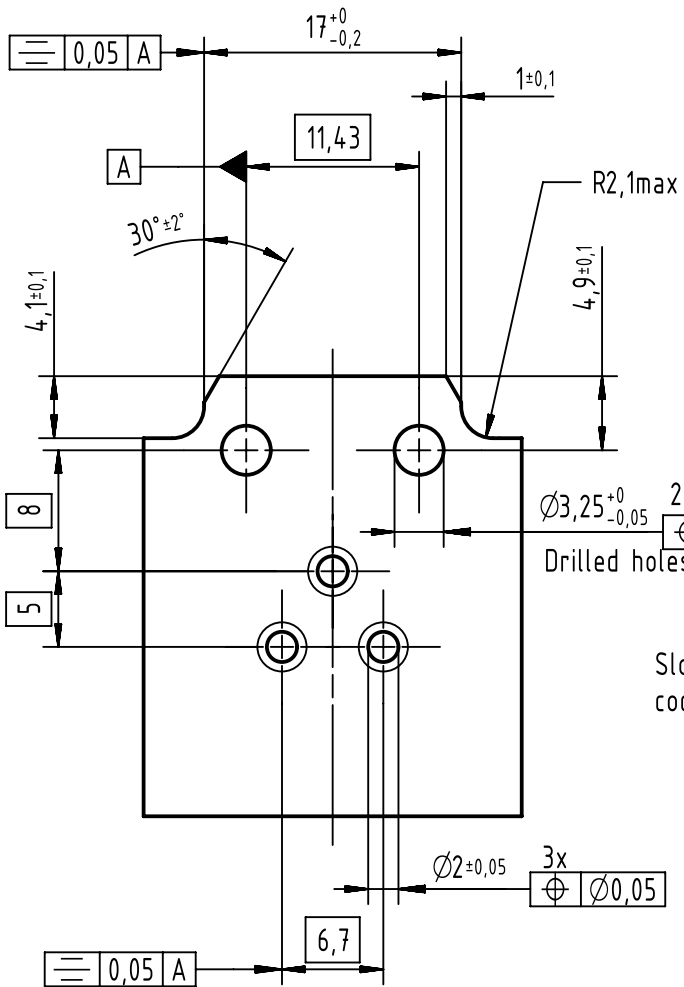
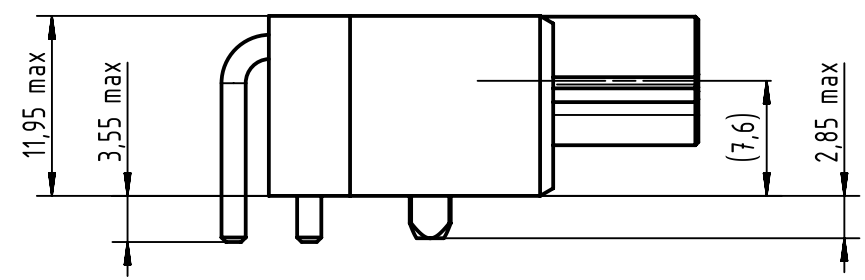
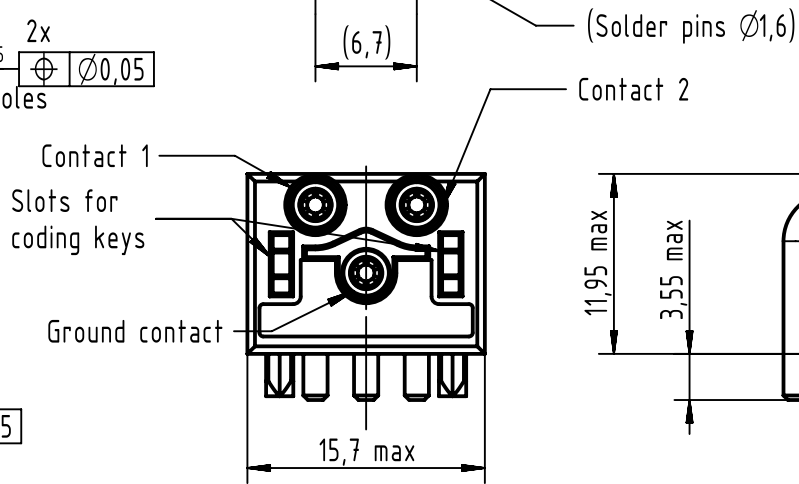


PCB LAYOUT
for 3,5mm max panel thickness



Compatible receptacle housings:

- 0945 545 0029 Compact version with clip
- 0945 545 0033 Compact version w/o clip
- 0945 545 0031 EasyInstall version with clip
- 0945 545 0033 EasyInstall version w/o clip



SOLDER PINS VERSION:
16A max with 45°C max recommended
internal Cu layer within PCB:
2 Oz=0,071mm thick and 7mm width.

	All rights reserved Department EC PD - FR HARTING Electronics GmbH D-32339 Espelkamp	All Dimensions in mm Original Size DIN A4		Scale 2:1	Free size tol. ISO 2768-fH	Ref. Sub.
		Created by BARLEMONT	Inspected by DE VANSSAY	Standardisation HOFFMANN	Date 2014-06-30	State Final Release
Title HPP V4 Power insert THT 250V/16A 3p 90°					Doc-Key / ECM-Nr. 100530600/UGD/001/C 500000076469	
Type TB		Number 09465003400			Rev. C	Page 1/1