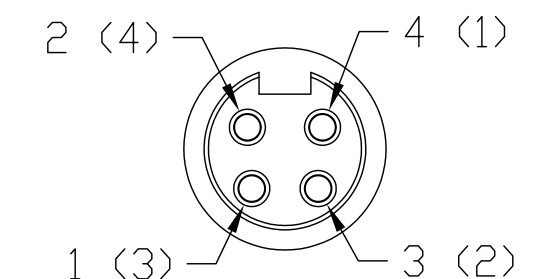
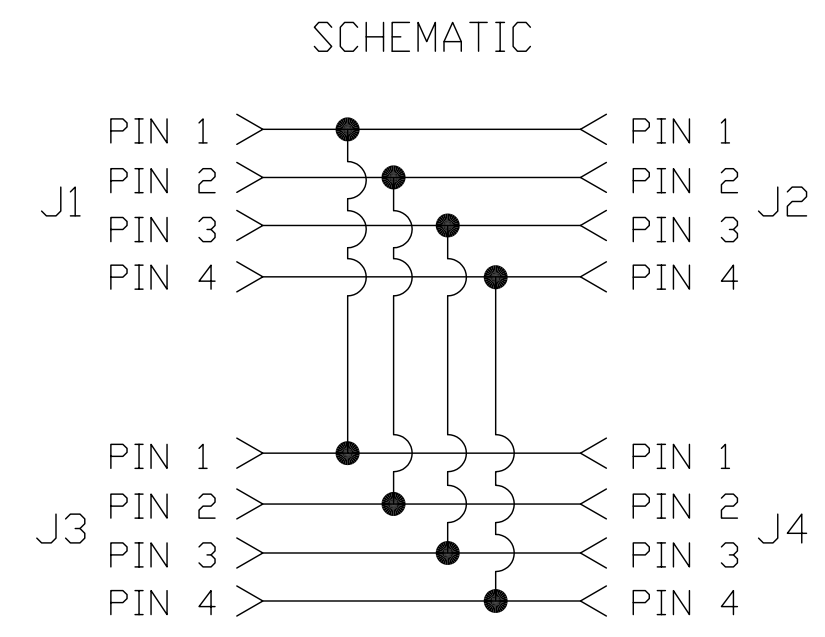
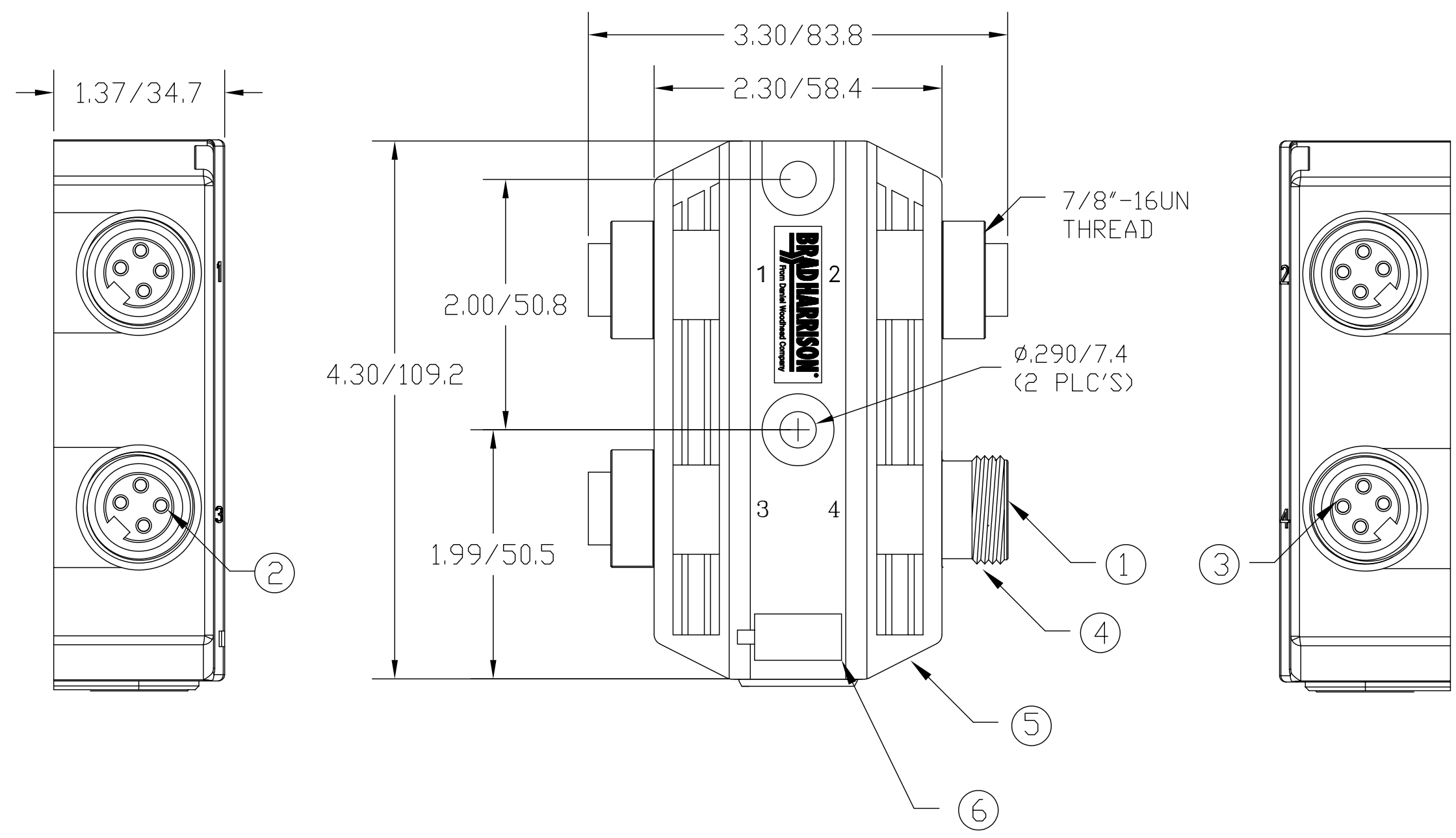
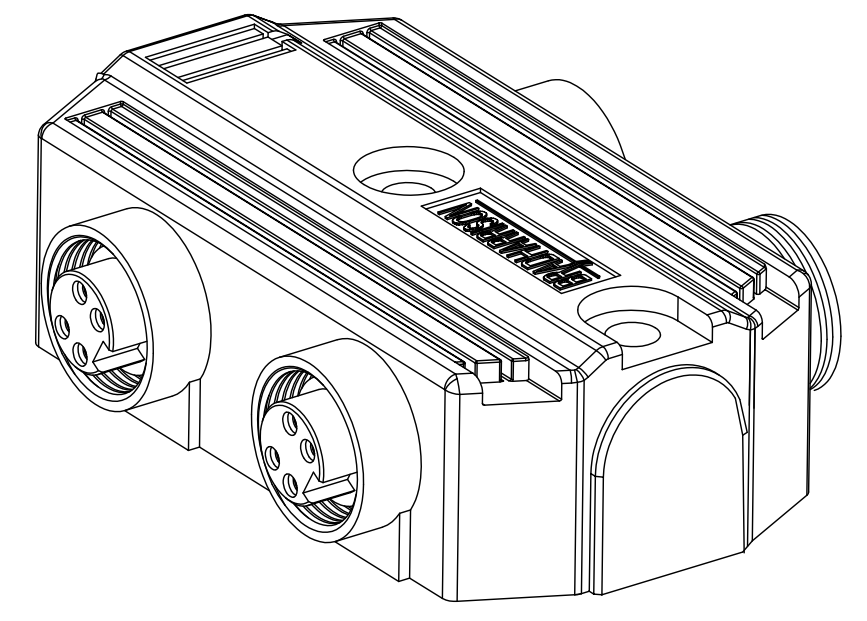
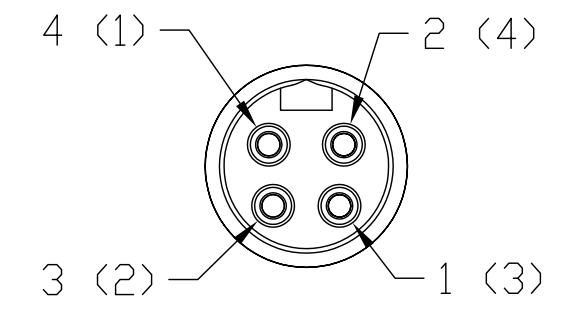


MATERIAL NUMBER	OLD PART NUMBER
130039-0377	DNAUX2100



FEMALE FACE VIEW



MALE FACE VIEW

CENELEC EN 50 044 PINOUT SHOWN
(SAE-J-1738A PINOUT SHOWN IN PARENTHESIS)

CUSTOMER PRODUCTION APPROVAL
APPROVED BY: _____
DATE: _____
MUST BE SIGNED AND RETURNED BEFORE
PRODUCTION WILL BEGIN.

RESTRICTED SALES DRAWING

VOLTAGE RATING	600 VAC/VDC
AMPERAGE RATING	10 AMPS
PROTECTION	IP67
OPERATING TEMPERATURE	0°C TO 60°C

ITEM	COMPONENT	MATERIAL	FINISH
1	INSERT	PVC	GRAY
2	CONTACT SOCKET	COPPER ALLOY	GOLD OVER NICKEL
3	CONTACT PIN	COPPER ALLOY	GOLD OVER NICKEL
4	RECEPTACLE SHELL	ZINC DIE CAST	BLACK E-COATED
5	HOUSING	PBT	BLACK
6	LABEL	ABS	WHITE
	POTTING MATERIAL	EPOXY	BLACK

RLSD DRAWING
EC NO: WNA2010-0678
DRWN: BWOODMAN2010/05/07
CHKD: KJ
APPR: JFMURPHY 2010/07/15

QUALITY SYMBOL =0 =0	GENERAL TOLERANCES (UNLESS SPECIFIED)	
	mm	INCH
	4 PLACES	±---
	3 PLACES	±---
	2 PLACES	±0.13 ±0.010
1 PLACE	±0.25 ±0.020	
ANGULAR ±1/2°		
DRAFT WHERE APPLICABLE MUST REMAIN WITHIN DIMENSIONS		

DIMENSION STYLE	
IN/MM	
DRAWN BY	DATE
BWOODMAN	2010/05/07
CHECKED BY	DATE
KJ	2010/05/11
APPROVED BY	DATE
JFMURPHY	2010/07/15
MATERIAL NO.	
SEE CHART	
SIZE	
C	

SCALE	DESIGN UNITS	THIRD ANGLE PROJECTION
1:1	INCH	
TITLE		
MC 2 PORT PASS-THRU MPIS DEVICENET AUX POWER		
MOLEX INCORPORATED		
DOCUMENT NO.		SHEET NO.
SD-130039-037		1 OF 1
THIS DRAWING CONTAINS INFORMATION THAT IS PROPRIETARY TO MOLEX INCORPORATED AND SHOULD NOT BE USED WITHOUT WRITTEN PERMISSION		