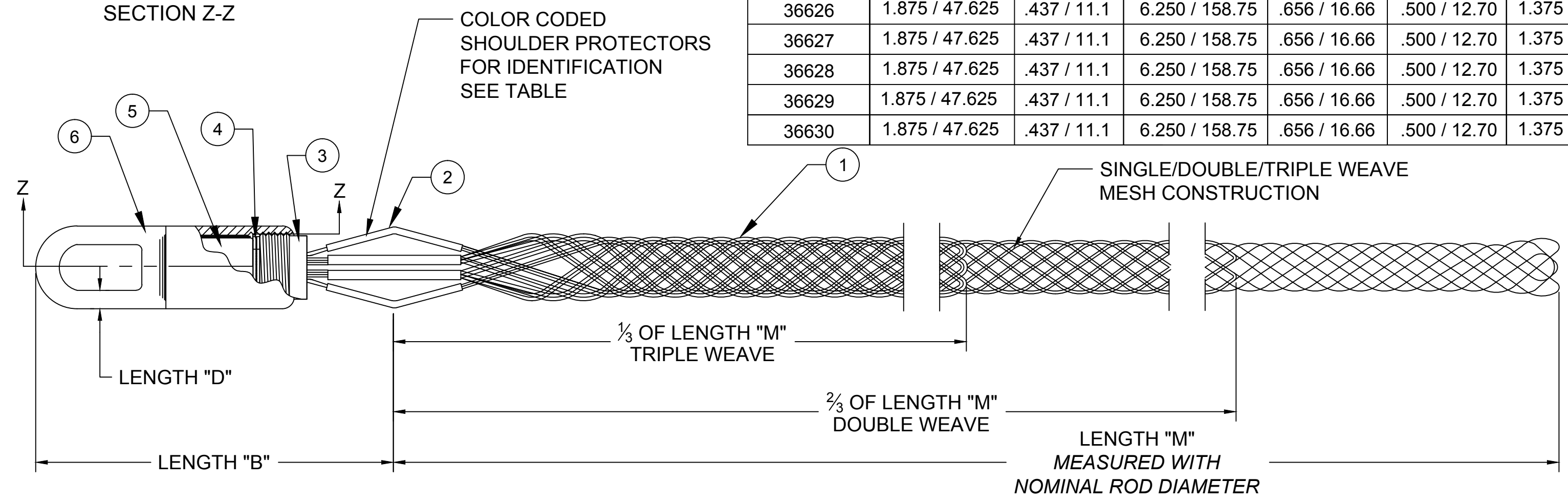
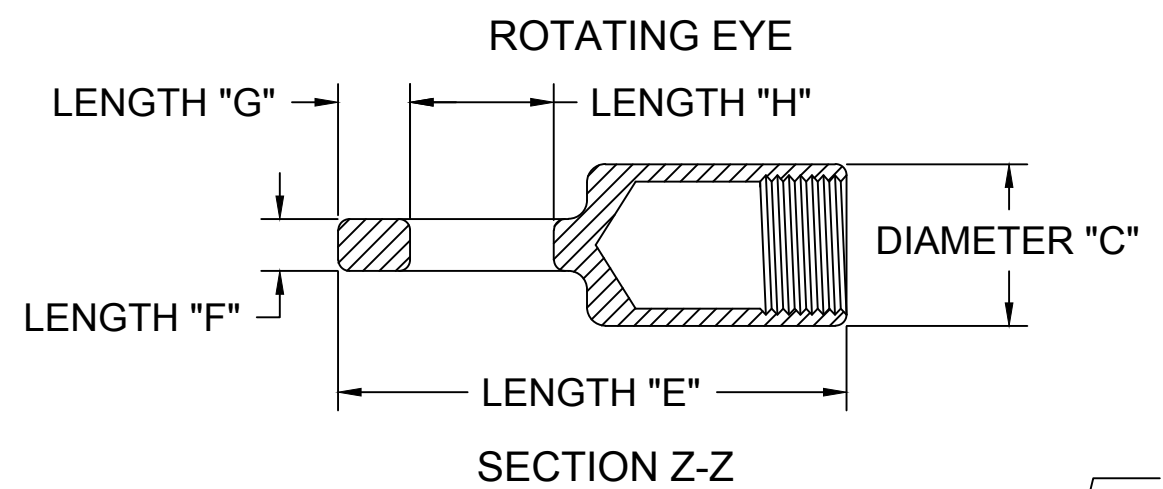


| CATALOG NUMBER | MATERIAL NUMBER | CABLE RANGE | NOMINAL ROD DIAMETER | LENGTH "M" | LENGTH "B" | COLOR CODE | APPROXIMATE BREAK STRENGTH* (LBS / N) | UL LISTED | CSA APPROVED | PRODUCT SELECTION NUMBER |
|----------------|-----------------|------------------------|----------------------|---------------------------|-------------------------|-------------|---------------------------------------|------------|--------------|--------------------------|
| 36620 | 1300950278 | .25-.49 / 6.4-12.4 | .37 / 9.4 | 26.00±2.50 / 660.4±63.5 | 5.00±0.50 / 127.0±12.7 | DARK GREEN | 6800 / 30248 | NO | YES | PR025-26MS |
| 36621 | 1300950279 | .50-.74 / 12.7-18.8 | .62 / 15.7 | 32.00±3.50 / 812.8±88.9 | 6.00±0.50 / 152.4±12.7 | BROWN | 10000 / 44482 | | | PR050-32MS |
| 36622 | 1300950280 | .75-.99 / 19.1-25.1 | .87 / 22.1 | 41.00±4.50 / 1041.4±114.3 | 6.00±0.50 / 152.4±12.7 | LIGHT BLUE | 14400 / 64054 | | | PR075-41MS |
| 36623 | 1300950281 | 1.00-1.24 / 25.4-31.5 | 1.12 / 28.4 | 52.00±5.00 / 1320.8±127.0 | 8.00±1.00 / 203.2±25.4 | GOLD | 24600 / 109426 | | | PR100-52MS |
| 36624 | 1300950282 | 1.25-1.49 / 31.8-37.8 | 1.37 / 34.8 | 56.00±5.00 / 1422.4±127.0 | 8.00±1.00 / 203.2±25.4 | BLACK | 30600 / 136116 | | | PR125-56MS |
| 36625 | 1300950283 | 1.50-1.74 / 38.1-44.2 | 1.62 / 41.1 | 60.00±5.00 / 1524.0±127.0 | 9.00±1.00 / 228.6±25.4 | RED | 30600 / 136116 | | | PR150-60MS |
| 36626 | 1300950284 | 1.75-2.24 / 44.5-56.9 | 2.00 / 50.8 | 70.00±6.00 / 1778.0±152.4 | 10.00±1.00 / 254.0±25.4 | DARK BLUE | 48000 / 213515 | | | PR175-70MS |
| 36627 | 1300950285 | 2.00-2.49 / 50.8-63.2 | 2.25 / 57.2 | 50.00±5.00 / 1270.0±127.0 | 10.00±1.00 / 254.0±25.4 | YELLOW | 48000 / 213515 | | | PR200-50MS |
| 36628 | 1300950286 | 2.50-2.99 / 63.5-75.9 | 2.75 / 69.9 | 52.00±5.00 / 1320.8±127.0 | 10.00±1.00 / 254.0±25.4 | ORANGE | 48000 / 213515 | | | PR250-52MS |
| 36629 | 1300950287 | 3.00-3.49 / 76.2-88.6 | 3.25 / 82.6 | 54.00±5.00 / 1371.6±127.0 | 10.00±1.00 / 254.0±25.4 | ALUMINUM | 48000 / 213515 | | | PR300-54MS |
| 36630 | ----- | 3.50-3.99 / 88.9-101.3 | 3.75 / 95.3 | 56.00±5.00 / 1422.4±127.0 | 10.00±1.00 / 254.0±25.4 | LIGHT GREEN | 48000 / 213515 | PR350-56MS | | |

*TO DETERMINE RECOMMENDED WORKING LOAD, DIVIDE BREAK STRENGTH BY 5.

| ROTATING EYE DIMENSIONS - REFERENCE | | | | | | |
|-------------------------------------|----------------|-------------|----------------|--------------|--------------|---------------|
| CATALOG NUMBER | DIAMETER "C" | LENGTH "D" | LENGTH "E" | LENGTH "F" | LENGTH "G" | LENGTH "H" |
| 36620 | .875 / 22.23 | .187 / 4.75 | 2.750 / 69.85 | .281 / 7.14 | .250 / 6.35 | .875 / 22.23 |
| 36621 | 1.000 / 25.40 | .219 / 5.56 | 3.625 / 92.08 | .500 / 12.70 | .312 / 7.92 | .906 / 23.01 |
| 36622 | 1.000 / 25.40 | .219 / 5.56 | 3.625 / 92.08 | .500 / 12.70 | .312 / 7.92 | .906 / 23.01 |
| 36623 | 1.375 / 34.93 | .344 / 8.74 | 4.625 / 117.48 | .500 / 12.70 | .375 / 9.53 | 1.000 / 25.40 |
| 36624 | 1.625 / 41.275 | .375 / 9.53 | 5.437 / 138.10 | .625 / 15.88 | .500 / 12.70 | 1.187 / 30.15 |
| 36625 | 1.875 / 47.625 | .437 / 11.1 | 6.250 / 158.75 | .656 / 16.66 | .500 / 12.70 | 1.375 / 34.93 |
| 36626 | 1.875 / 47.625 | .437 / 11.1 | 6.250 / 158.75 | .656 / 16.66 | .500 / 12.70 | 1.375 / 34.93 |
| 36627 | 1.875 / 47.625 | .437 / 11.1 | 6.250 / 158.75 | .656 / 16.66 | .500 / 12.70 | 1.375 / 34.93 |
| 36628 | 1.875 / 47.625 | .437 / 11.1 | 6.250 / 158.75 | .656 / 16.66 | .500 / 12.70 | 1.375 / 34.93 |
| 36629 | 1.875 / 47.625 | .437 / 11.1 | 6.250 / 158.75 | .656 / 16.66 | .500 / 12.70 | 1.375 / 34.93 |
| 36630 | 1.875 / 47.625 | .437 / 11.1 | 6.250 / 158.75 | .656 / 16.66 | .500 / 12.70 | 1.375 / 34.93 |



INSTRUCTION SHEET TO BE INCLUDED WITH GRIP.

| ITEM | DESCRIPTION | MATERIAL |
|------|--------------------|------------------|
| 1 | WIRE MESH | GALVANIZED STEEL |
| 2 | SHOULDER PROTECTOR | ALUMINUM |
| 3 | THREADED INSERT | STEEL |
| 4 | FLAT WASHERS | NYLATRON |
| 5 | SWAGING FERRULE | STEEL |
| 6 | ROTATING EYE | STEEL |

RELEASE SALES DRAWING
 EC NO.: ICG2014-1924
 DRWN: HRUIZ01 2014/09/04
 CHKD: HKNEELAN 2014/09/04
 APPR: JFMURPHY 2015/03/23

QUALITY SYMBOL
 ▽=0
 ∇=0

DESCRIPTION
 A

GENERAL TOLERANCES (UNLESS SPECIFIED)

| | mm | INCH |
|----------|------|-------|
| 4 PLACES | ±--- | ±--- |
| 3 PLACES | ±--- | ±.005 |
| 2 PLACES | ±.13 | ±.010 |
| 1 PLACE | ±.25 | ±.020 |

ANGULAR ±1/2°

DRAFT WHERE APPLICABLE MUST REMAIN WITHIN DIMENSIONS

DIMENSION STYLE INCH/MM

SCALE NTS

DESIGN UNITS INCH

THIRD ANGLE PROJECTION

DRAWN BY: HRUIZ01 DATE: 2014/09/04

CHECKED BY: HKNEELAN DATE: 2014/09/04

APPROVED BY: JFMURPHY DATE: 2015/03/23

TITLE: PULLING GRIPS MULTI-WEAVE ROTATING EYE

MATERIAL NO.: SEE TABLE

DOCUMENT NO.: SD-130095-110

SHEET NO.: 1 OF 1

MOLEX INCORPORATED

THIS DRAWING CONTAINS INFORMATION THAT IS PROPRIETARY TO MOLEX INCORPORATED AND SHOULD NOT BE USED WITHOUT WRITTEN PERMISSION