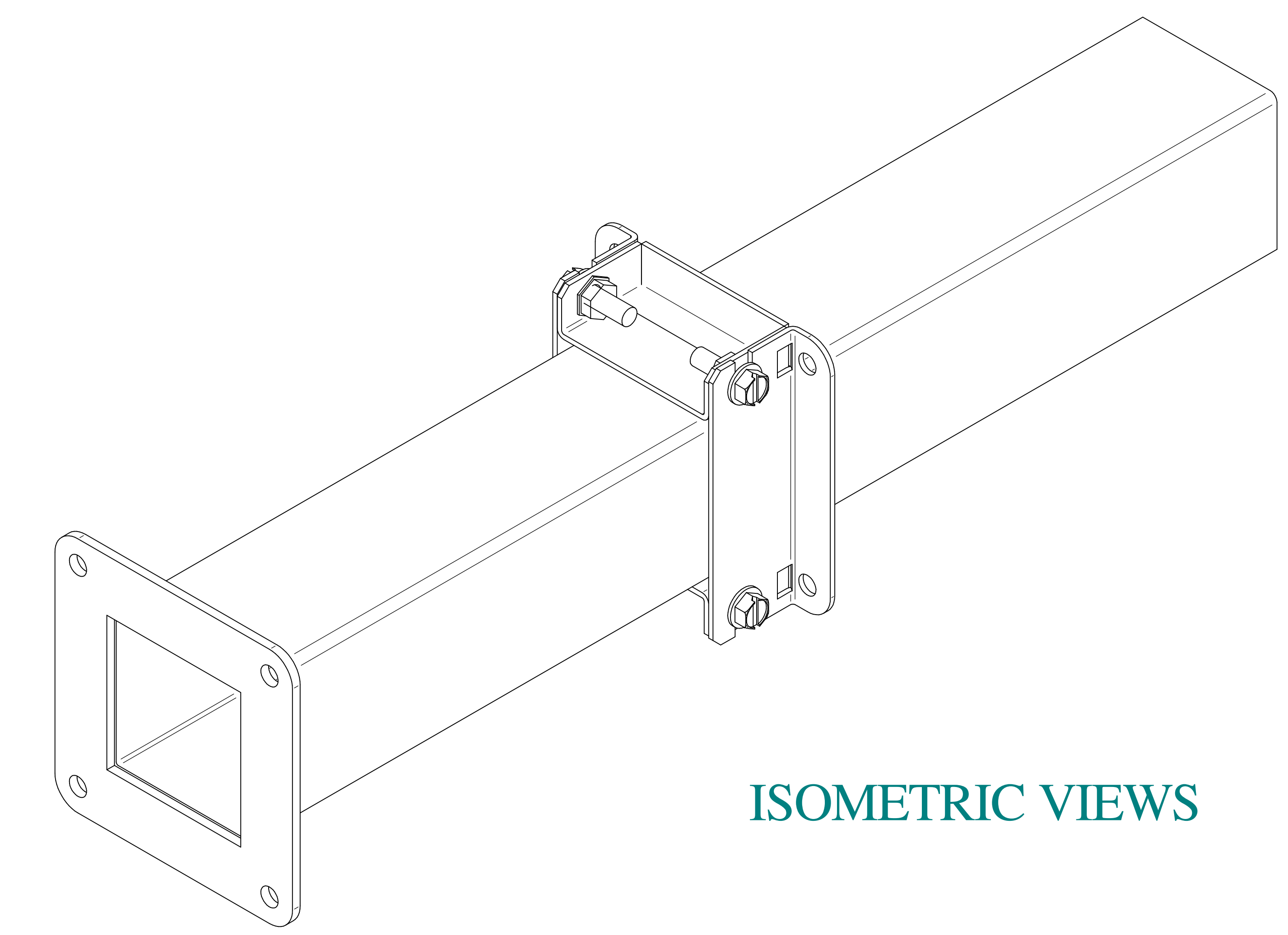


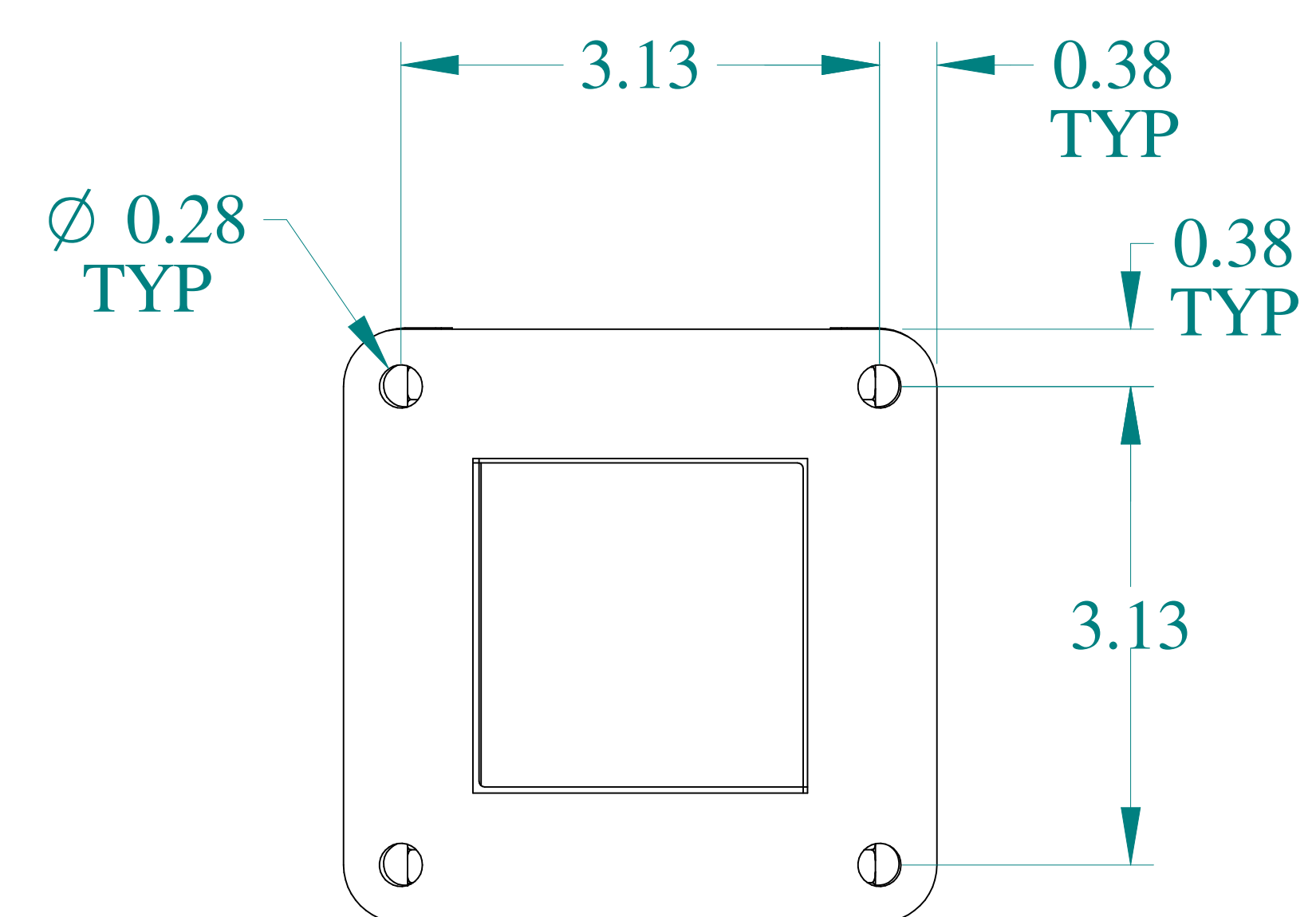
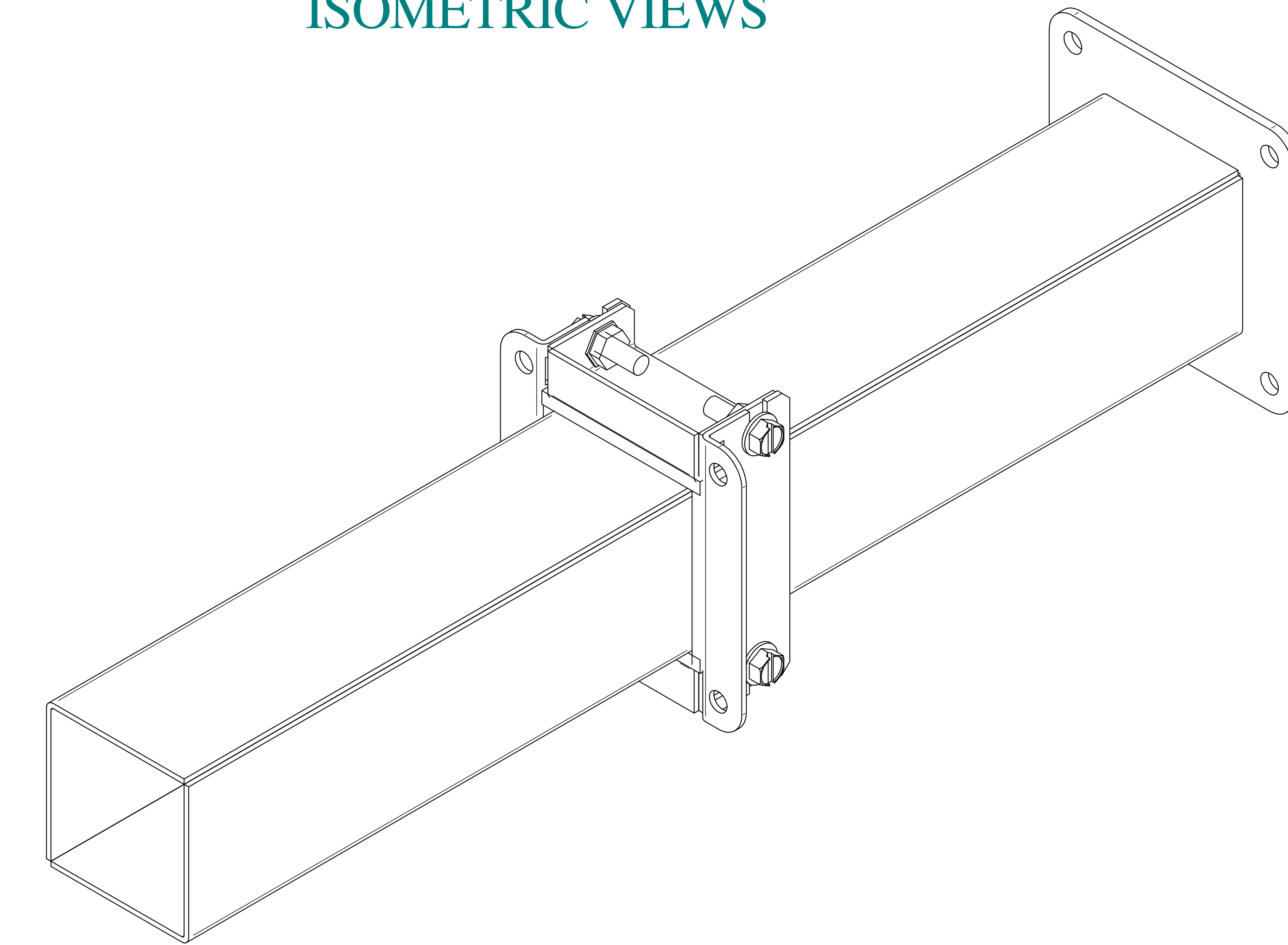
SOLID FLANGE
GASKET &
COMPRESSION
RING

ADJUSTABLE
FITTING

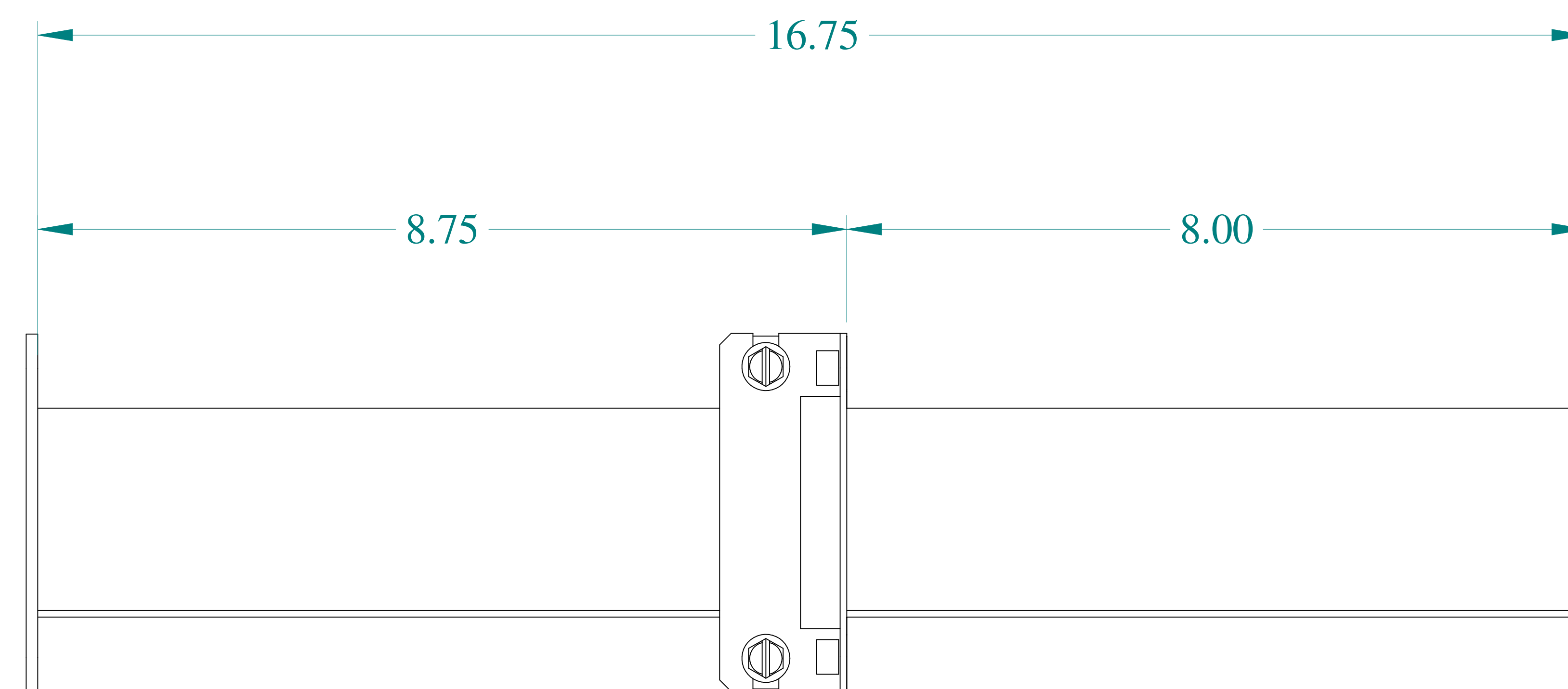
TOP VIEW



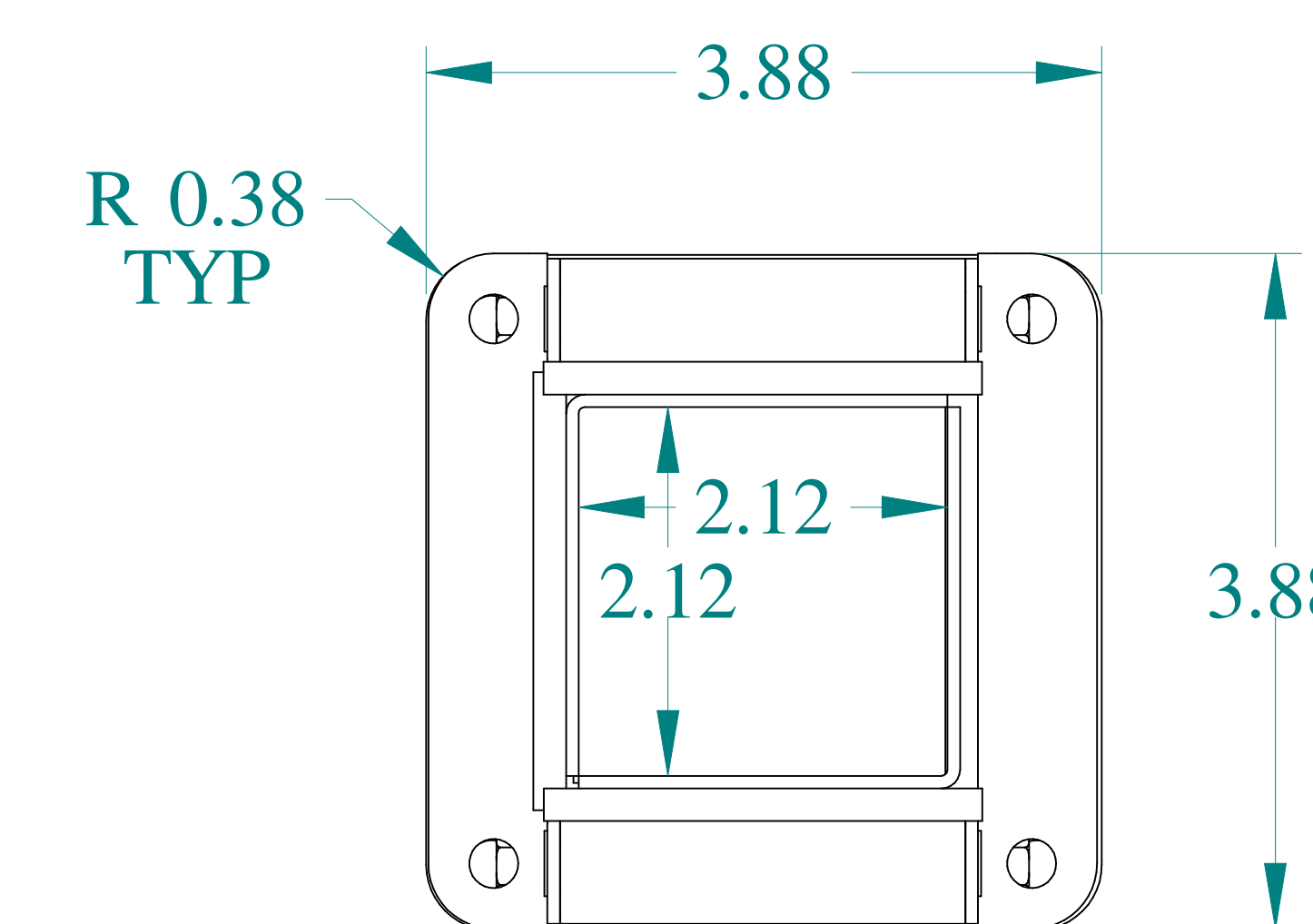
ISOMETRIC VIEWS



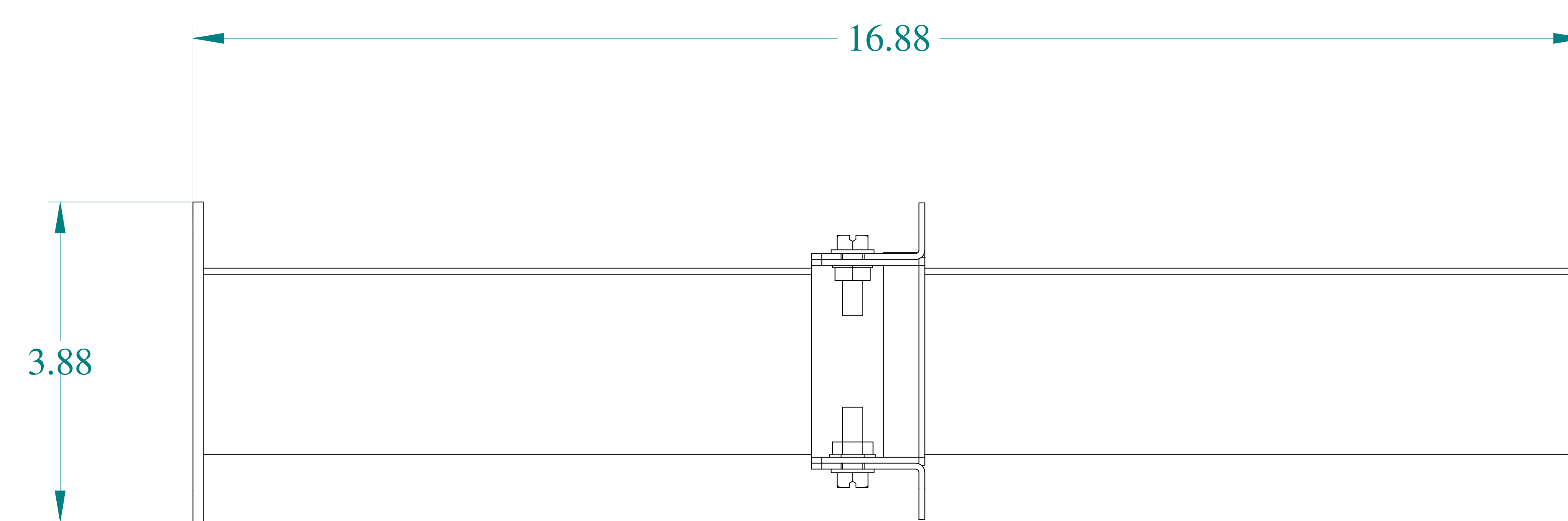
SIDE VIEW



FRONT VIEW



SIDE VIEW



BOTTOM VIEW

**HAMMOND
MANUFACTURING®**

W www.hammondmfg.com

Data subject to change without notice.