

THIS DRAWING IS UNPUBLISHED.

RELEASED FOR PUBLICATION

© COPYRIGHT - TE Connectivity Ltd.

ALL RIGHTS RESERVED.

REVISIONS

P	LTR	DESCRIPTION	DATE	DWN	APVD
	D1	DWG UPDATED TO TE CONNECTIVITY TEMPLATE	03OCT2019	RK	PS

MATERIALS:

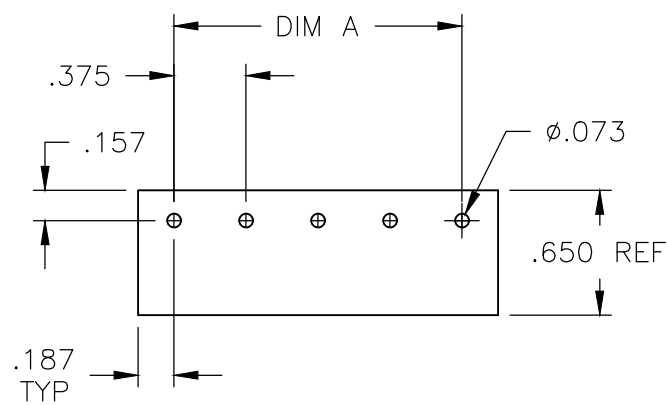
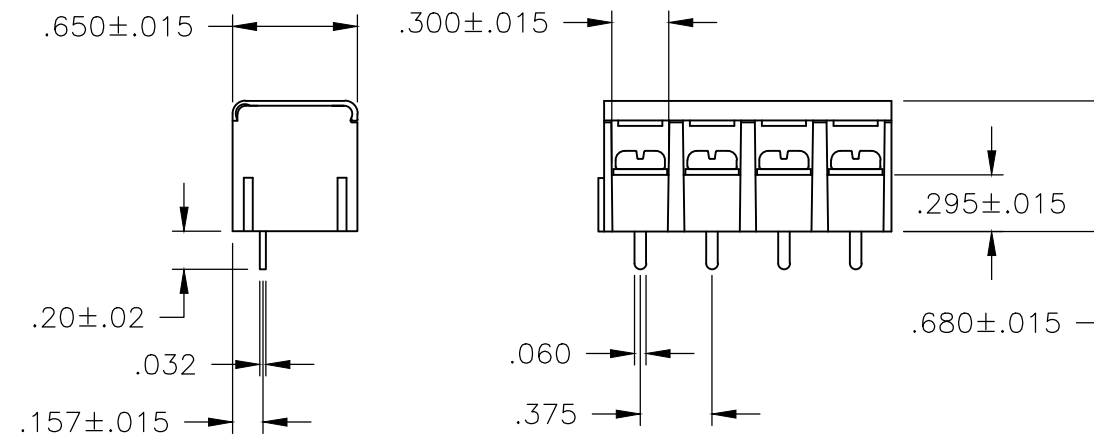
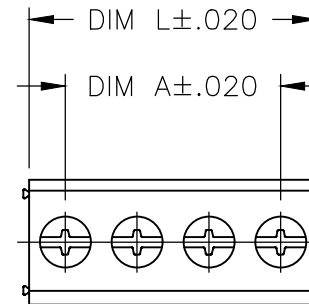
HOUSING: NYON, UL94V-0, BLACK.  
 TERMINALS: TIN PLATED, COPPER ALLOY.  
 SCREW: M3.5, NICKEL PLATED STEEL.

ELECTRICAL PROPERTIES:

RATING: 15A, 300V.  
 WIRE RANGE: 14-22 AWG.  
 TIGHTENING TORQUE: 12 IN-LB.

ENVIRONMENTAL PROPERTIES:

MAX OPERATING TEMP.: 120°C



RECOMMENDED PCB LAYOUT

3.000	2.625	8	1546833-8
2.625	2.250	7	1546833-7
2.250	1.875	6	1546833-6
1.875	1.500	5	1546833-5
1.500	1.125	4	1546833-4
1.125	.750	3	1546833-3
.750	.375	2	1546833-2
DIM L	DIM A	NO OF POS	PART NUMBER

THIS DRAWING IS A CONTROLLED DOCUMENT.		DWN S SCHLEGEL 08OCT03	TE Connectivity			
DIMENSIONS: INCHES		CHK S YODER 10/8/03				
TOLERANCES UNLESS OTHERWISE SPECIFIED:		APVD S YODER 10/8/03	NAME			
0 PLC ± - 1 PLC ± - 2 PLC ± - 3 PLC ± .005 4 PLC ± - ANGLES ± -		PRODUCT SPEC	.375 MODULAR TRIBARRIER W/ COVER, ASSEMBLY			
MATERIAL		APPLICATION SPEC	SIZE	CAGE CODE	DRAWING NO	RESTRICTED TO
FINISH		WEIGHT	A3	00779	C-1546833	-
CUSTOMER DRAWING			SCALE	SHEET	REV	
			NTS	1 OF 1	D1	