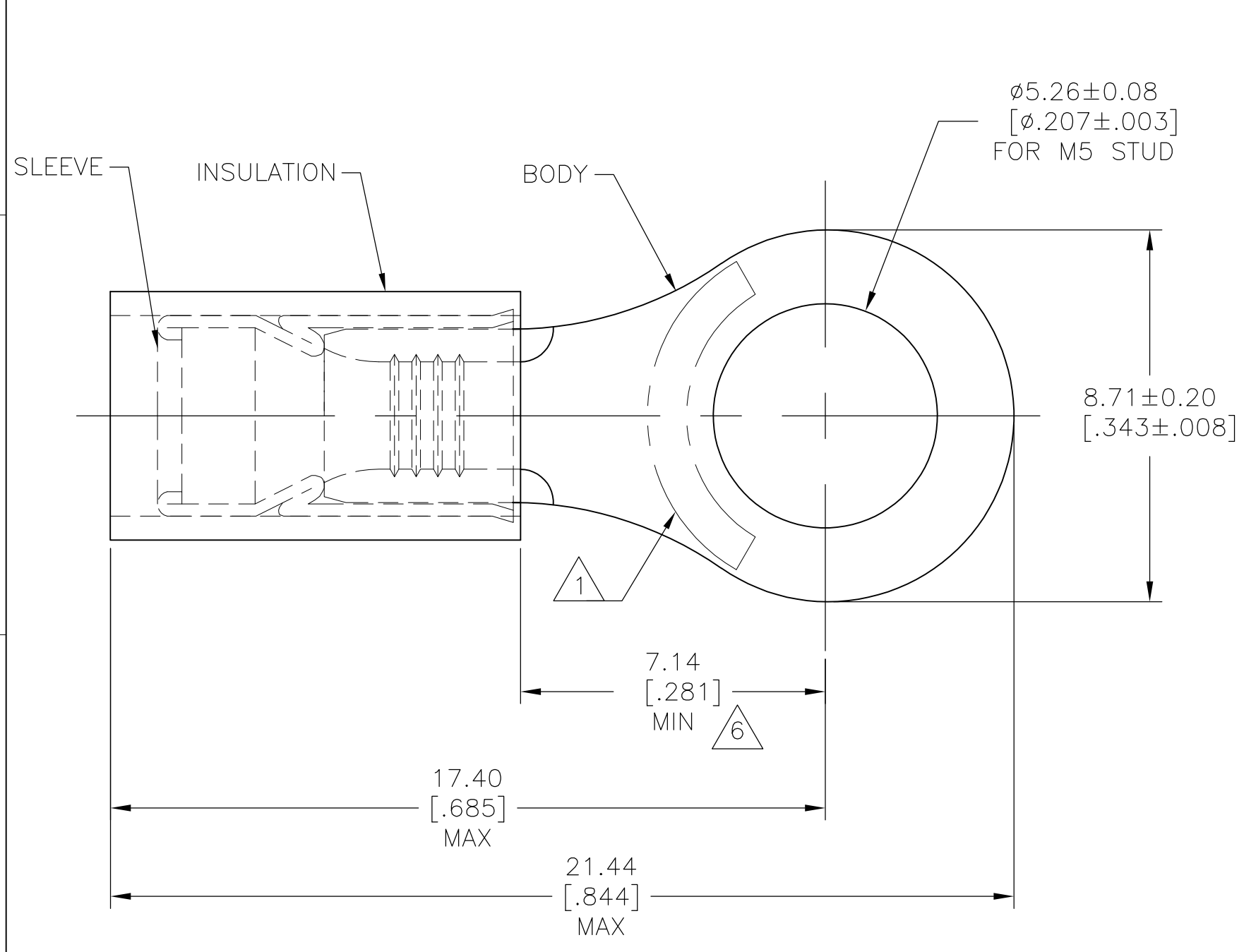


THIS DRAWING IS UNPUBLISHED. RELEASED FOR PUBLICATION
 © COPYRIGHT - By - ALL RIGHTS RESERVED.

LOC	DIST	REVISIONS					
		P	LTR	DESCRIPTION	DATE	DWN	APVD
-	-	A		NEW DRAWING PER ECO-12-020250	17NOV12	KH	DR



- 1 STAMP AMP 16-14* APPROX AS SHOWN
- 2 WIRE INSULATION DIA: 2.92-4.32[.115-.170]
- 3 TONGUE MATERIAL THK: 0.78±0.05[.031±.002]
- 4 MATERIAL:
BODY&SLEEVE: Cu PER ASTM B152
INSULATION: NYLON
- 5 FINISH:
BODY&SLEEVE-TIN PLATE PER ASTM B545
INSULATION: COLOR: BLUE
- 6 APPLIES FROM THE EDGE OF METAL WIRE BARREL TO CENTER OF STUD HOLE.

4000	TAPE AND REEL	2-165655-1
1000	LOOSE PIECE	165655
QTY	PACKAGE TYPE	PART NUMBER

AMP INCORPORATED CUSTOMER SERVICE SYSTEMS		MAX RECOMMENDED OPERATING TEMPERATURE: 150°C [302°F]	THIS DRAWING IS A CONTROLLED DOCUMENT.		DWN KIRAN HOLAL 17NOV12	TE Connectivity						
FOR ADDITIONAL PRODUCT INFORMATION OR COPIES OF DRAWINGS AND TECHNICAL DOCUMENTS	PRODUCT INFORMATION CENTER 1-800-522-6752	VOLTAGE RATING: N/A	DIMENSIONS: mm [INCHES]	TOLERANCES UNLESS OTHERWISE SPECIFIED:	CHK ROHDE DANIEL 17NOV12				NAME TERMINAL, RING TONGUE, PIDG WIRE SIZE 16-14 AWG			
FOR APPLICATION TOOLING INFORMATION	TOOLING ASSISTANCE CENTER 1-800-722-1111	WIRE CROSS SECTIONAL AREA RANGE: 1.04-2.62mm²[2,050-5,180]CMA STRANDED		0 PLC ± - 1 PLC ± - 2 PLC ± - 3 PLC ± - 4 PLC ± - ANGLES ± 0°30'	APVD ROHDE DANIEL 17NOV12	PRODUCT SPEC	SIZE	CAGE CODE	DRAWING NO	RESTRICTED TO		
FOR ORDER ENTRY	1-800-526-5142	THIS DRAWING IS A CONTROLLED DOCUMENT FOR AMP INCORPORATED. IT IS SUBJECT TO CHANGE AND THE CONTROLLING ENGINEERING ORGANIZATION SHOULD BE CONTACTED FOR THE LATEST REVISION.	MATERIAL	FINISH	WEIGHT	-	A3	00779	C-165655	-		
					CUSTOMER DRAWING		SCALE	8:1	SHEET	1 OF 1	REV	A