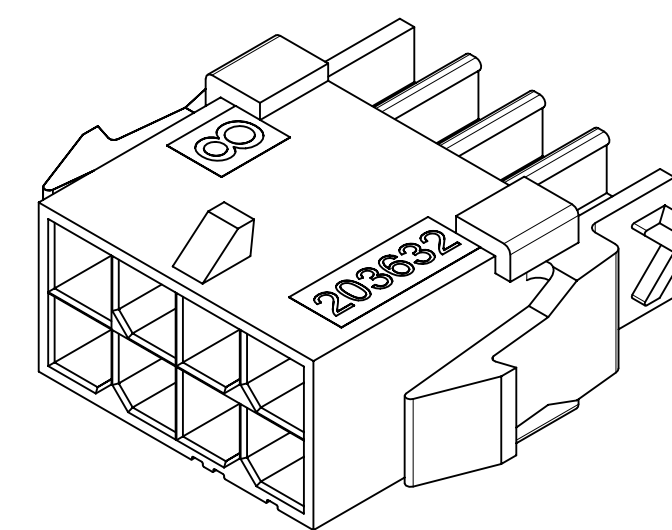
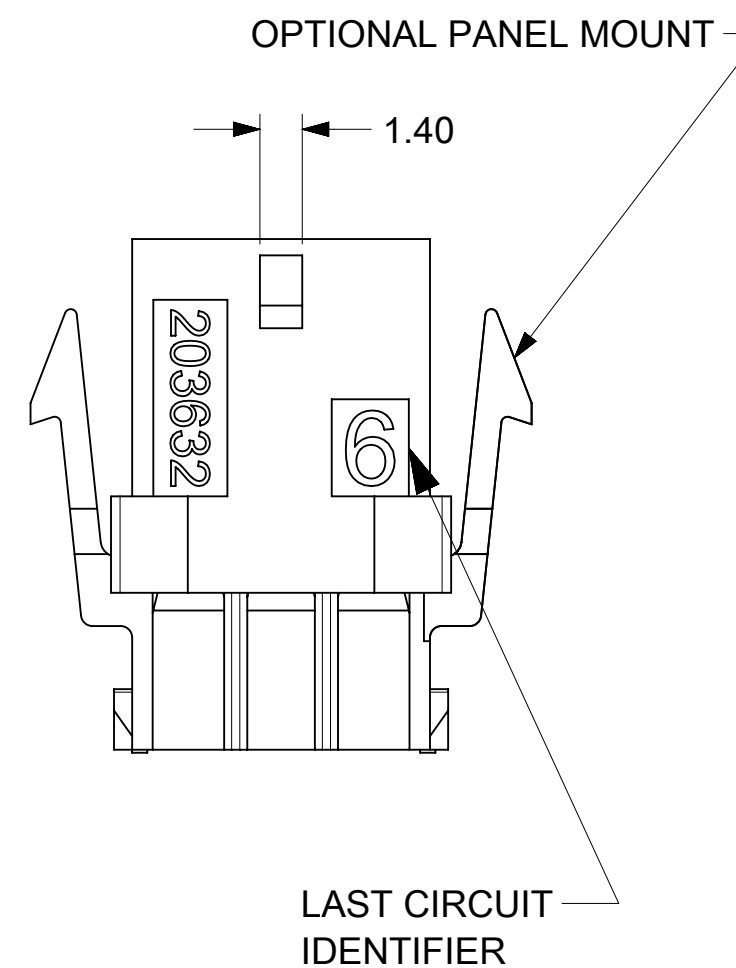
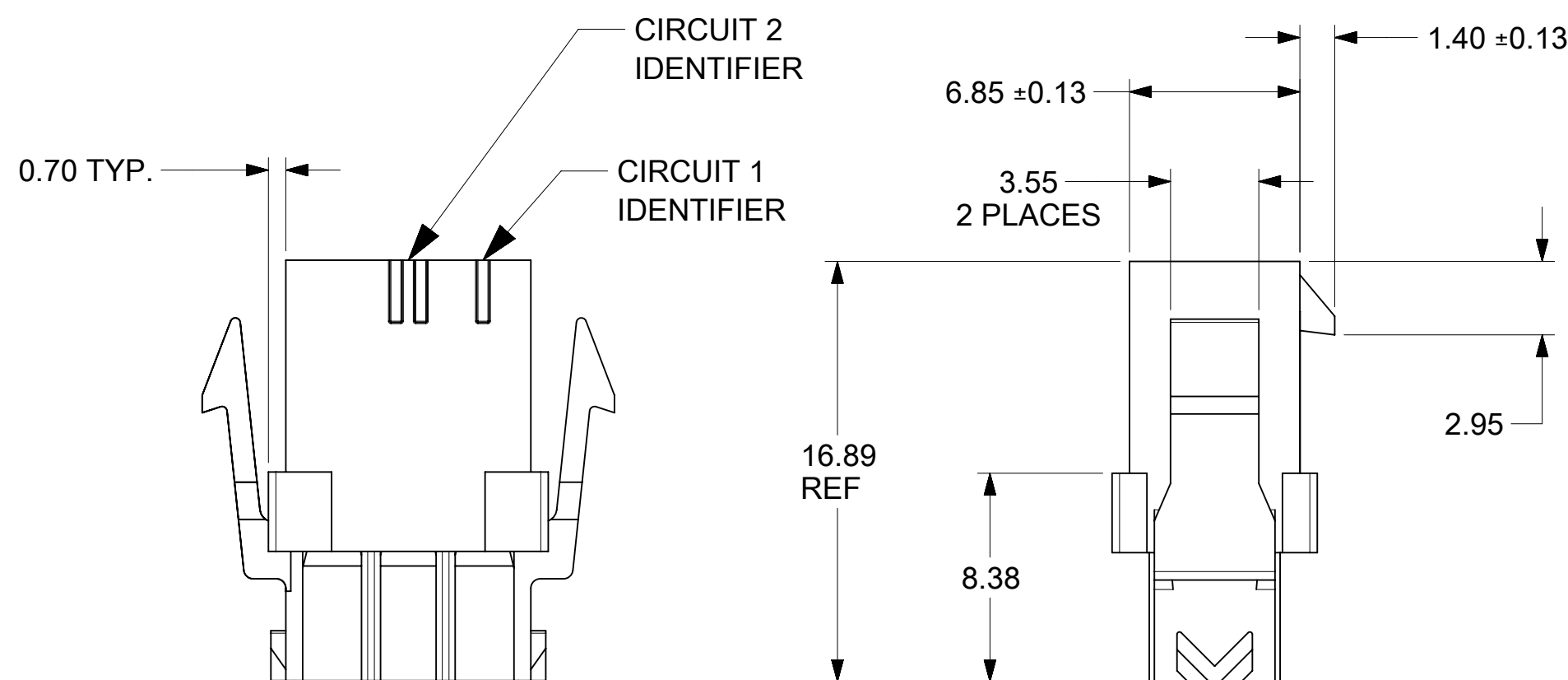


RECOMMENDED PANEL CUTOUT

SEE NOTES 7 AND 9



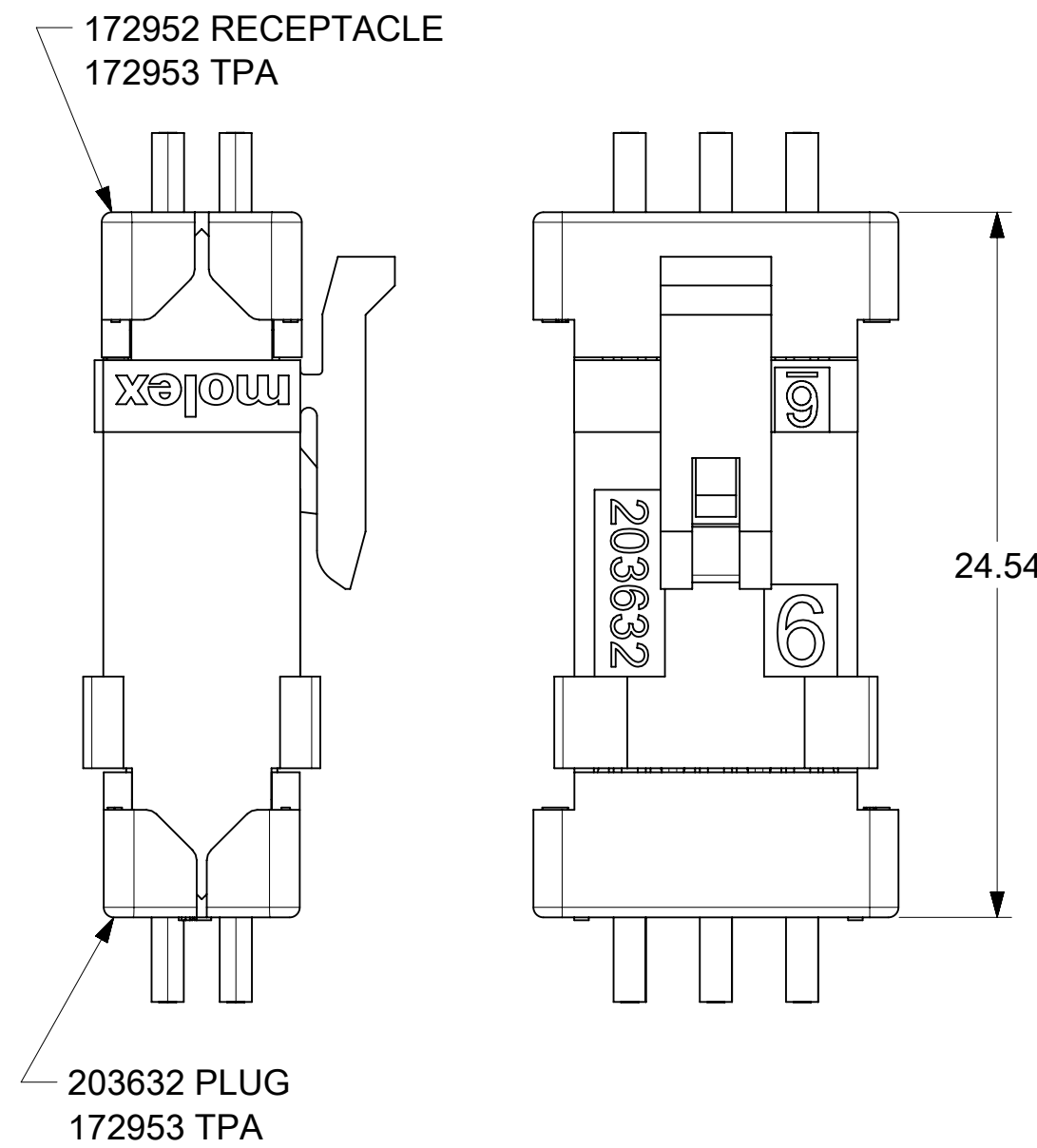
8 CIRCUIT WITH PANEL MOUNTS

NOTES:

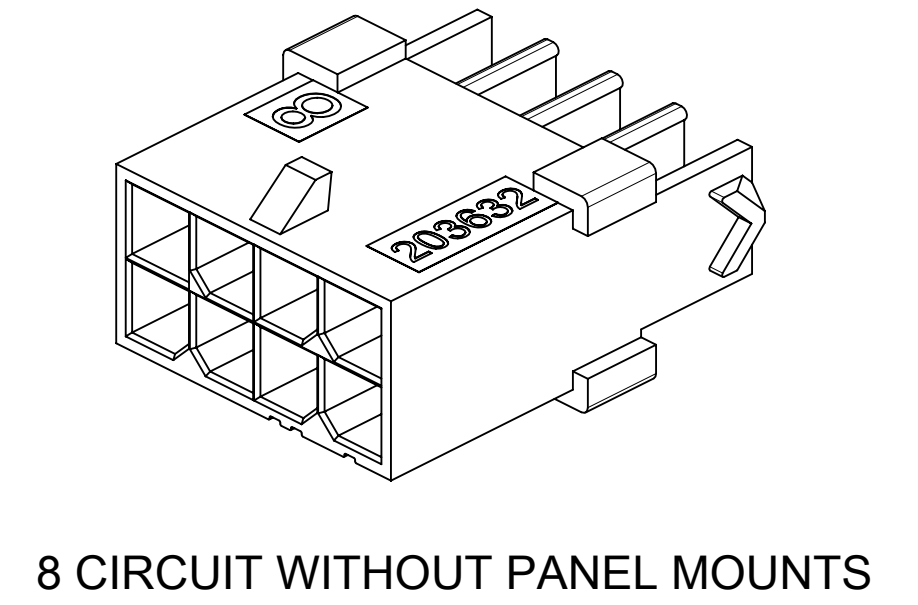
- 1) HOUSING MATERIAL:
UNFILLED NYLON, RATED UL94V-2, IEC60335-1 GLOW WIRE CAPABLE, COLOR-BLACK
- 2) FINISH: N/A
- 3) PRODUCT SPECIFICATION: PS-43045
- 4) PACKAGING SPECIFICATION: 2036320000-PK
- 5) THIS HOUSING MATES WITH MICRO-FIT 172952 TPA RECEPTACLE OR 43025 STANDARD RECEPTACLE.
- 6) THIS HOUSING TO BE USED WITH MOLEX MALE TERMINAL 43031-5***
- 7) DESIGNED FOR 1.40 MINIMUM TO A 2.54 MAXIMUM THICK PANEL OR PRINTED CIRCUIT BOARD.
- 8) SEE SECTION "F"- "F" FOR TERMINAL ORIENTATION IN HOUSING.
TERMINALS IN LOWER ROW ARE INSERTED 180° FROM THE UPPER ROW.
- 9) PANEL MOUNT FEATURES MUST LOCK ON SIDE OPPOSITE PUNCH SIDE FOR OPTIMUM RETENTION.
- 10) PART CONFORMS TO CLASS 'B' REQUIREMENTS OF COSMETIC SPECIFICATION PS-45499-002, WITH THE EXCEPTION THAT FLASH, DISCOLORATION, AND SINK MEET CLASS 'C' REQUIREMENTS.
- 11) HOUSING MAY HAVE DISCOLORATION AREAS THAT DO NOT AFFECT FUNCTIONALITY. DISCOLORATION AREAS MAY EXTEND ACROSS THE ENTIRE LENGTH OF THE FACES OF THE PART.
- 12) TEXT ON PART IS FOR REFERENCE ONLY. TEXT AND TEXT LOCATION MAY VARY DEPENDING ON PART NUMBER AND/OR TOOLING.
- 13) HOUSING DESIGNED FOR USE WITH 172953-xx02 TPA. NEVER USE WITHOUT TPA.
- 14) INTENDED FOR USE WITH 20-30 AWG WIRES ONLY

| | | | | | | | | |
|--|---|------------------------|-------------------------------|--------------------------|--------|----------------|----------|--------------|
| FUNCTIONAL SYMBOLS FA = 0 FE = 0 FP = 0 | THIS DRAWING CONTAINS INFORMATION THAT IS PROPRIETARY TO MOLEX ELECTRONIC TECHNOLOGIES, LLC AND SHOULD NOT BE USED WITHOUT WRITTEN PERMISSION | | CURRENT REV DESC: ADD NOTE 14 | | | | | |
| | DIMENSION UNITS | SCALE | EC NO: 723726 | | | | | |
| | mm | 4:1 | DRWN: MKIPPER | 2022/02/25 | | | | |
| | GENERAL TOLERANCES (UNLESS SPECIFIED) | | CHK'D: MKIPPER | 2022/10/12 | | | | |
| ANGULAR TOL ± 0.5° | | APPR: FSMITH | 2022/10/13 | PRODUCT CUSTOMER DRAWING | | | | |
| 4 PLACES ± | | INITIAL REVISION: | | DOCUMENT NUMBER | | DOC TYPE | DOC PART | REVISION |
| 3 PLACES ± | | DRWN: MKIPPER | | 2036320010-SD | | PSD | 000 | A4 |
| 2 PLACES ± 0.25 | | APPR: FSMITH | | MATERIAL NUMBER | | CUSTOMER | | SHEET NUMBER |
| 1 PLACE ± 0.35 | | DRWN: MKIPPER | | SEE CHART | | GENERAL MARKET | | 1 OF 2 |
| 0 PLACES ± | | APPR: FSMITH | | SERIES | | | | |
| DRAFT WHERE APPLICABLE MUST REMAIN WITHIN DIMENSIONS | | THIRD ANGLE PROJECTION | DRAWING | C-SIZE | 203632 | | | |

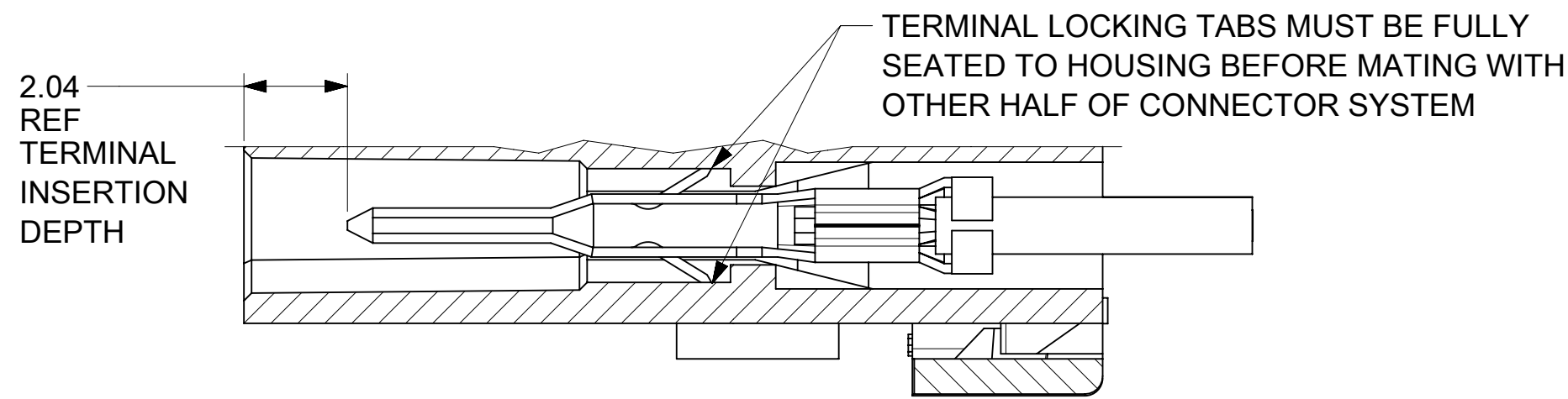
| PART NUMBER | PART CHARACTERISTICS | | | | | |
|-------------|----------------------|-------------|-------|-------|-------|-------|
| | NUMBER OF POSITION | PANEL MOUNT | DIM A | DIM B | DIM C | DIM D |
| 2036320410 | 4 | YES | 6.85 | 3.00 | 7.21 | 10.89 |
| 2036320411 | | NO | | | | |
| 2036320610 | 6 | YES | 9.85 | 6.00 | 10.21 | 13.89 |
| 2036320611 | | NO | | | | |
| 2036320810 | 8 | YES | 12.85 | 9.00 | 13.21 | 16.89 |
| 2036320811 | | NO | | | | |
| 2036321010 | 10 | YES | 15.85 | 12.00 | 16.21 | 19.89 |
| 2036321011 | | NO | | | | |
| 2036321210 | 12 | YES | 18.85 | 15.00 | 19.21 | 22.89 |
| 2036321211 | | NO | | | | |
| 2036321410 | 14 | YES | 21.85 | 18.00 | 22.21 | 25.89 |
| 2036321411 | | NO | | | | |
| 2036321610 | 16 | YES | 24.85 | 21.00 | 25.21 | 28.89 |
| 2036321611 | | NO | | | | |
| 2036321810 | 18 | YES | 27.85 | 24.00 | 28.21 | 31.89 |
| 2036321811 | | NO | | | | |
| 2036322010 | 20 | YES | 30.85 | 27.00 | 31.21 | 34.89 |
| 2036322011 | | NO | | | | |
| 2036322210 | 22 | YES | 33.85 | 30.00 | 34.21 | 37.89 |
| 2036322211 | | NO | | | | |
| 2036322410 | 24 | YES | 36.85 | 33.00 | 37.21 | 40.89 |
| 2036322411 | | NO | | | | |



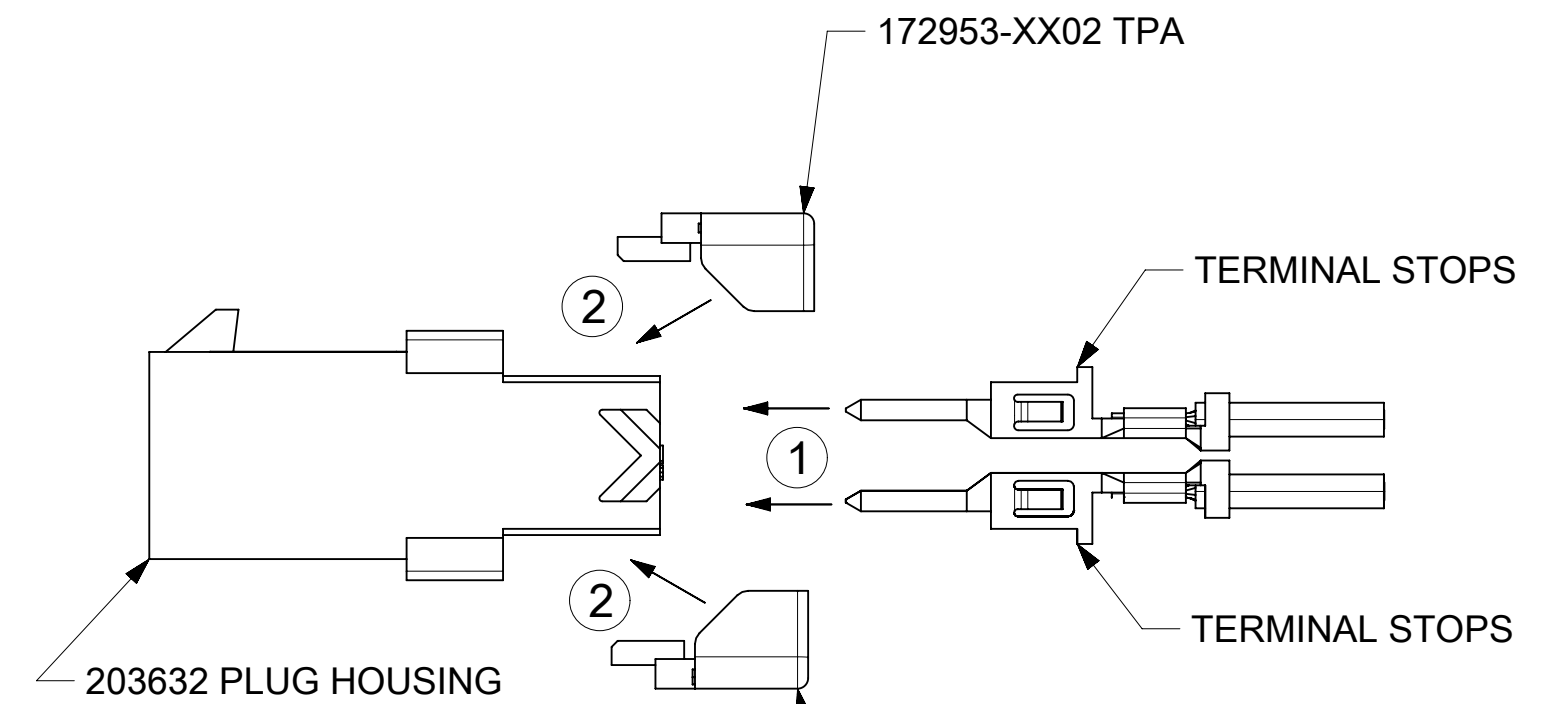
MATED MICRO-FIT CONNECTOR
(WITH TPA INSTALLED)



8 CIRCUIT WITHOUT PANEL MOUNTS

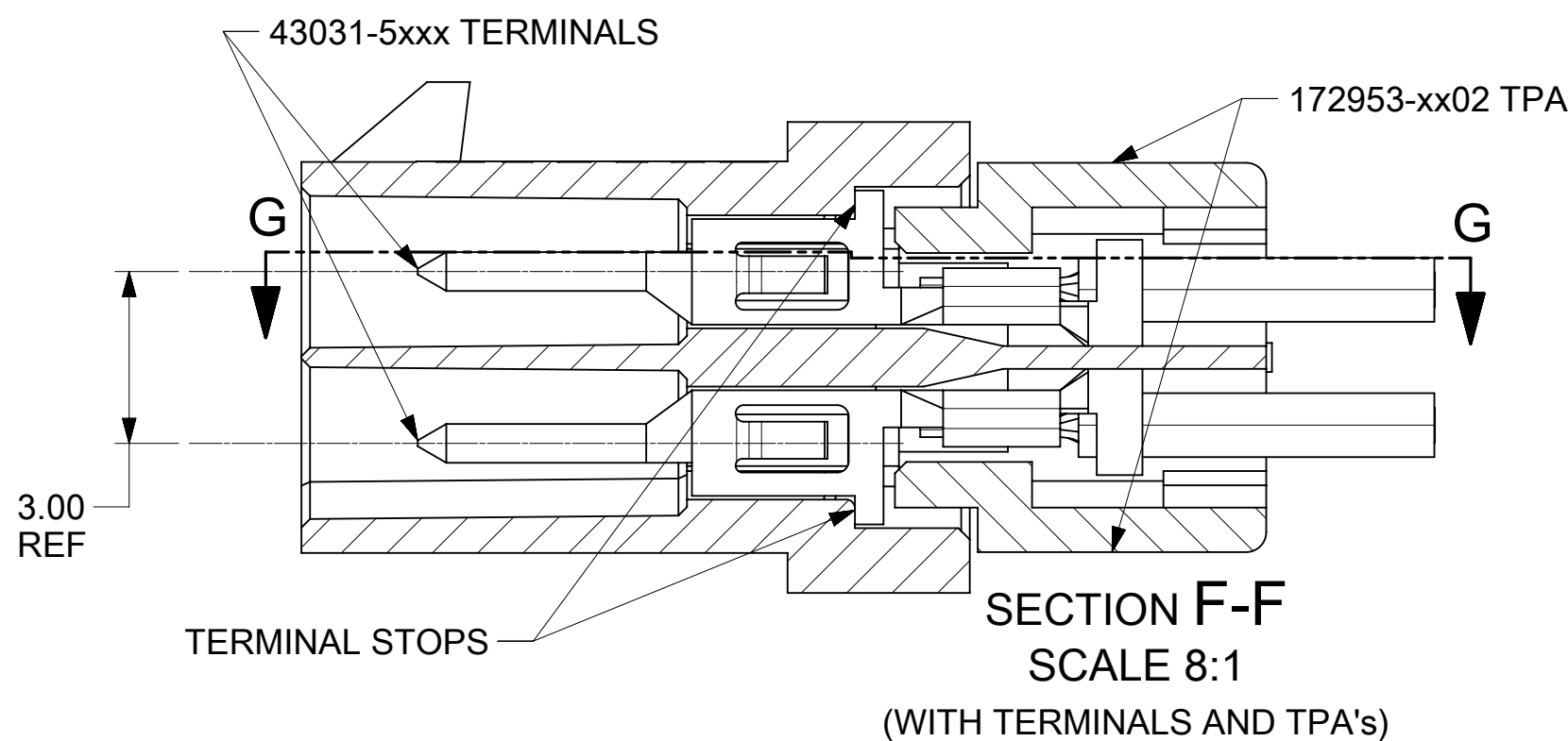


SECTION G-G
SCALE 8:1



TERMINAL AND TPA
ORIENTATION AND ASSEMBLY

NEVER USE WITHOUT TPA



SECTION F-F
SCALE 8:1
(WITH TERMINALS AND TPA'S)

| | | | | |
|--|---|------------------------|-------------------------------|--------------|
| FUNCTIONAL SYMBOLS | THIS DRAWING CONTAINS INFORMATION THAT IS PROPRIETARY TO MOLEX ELECTRONIC TECHNOLOGIES, LLC AND SHOULD NOT BE USED WITHOUT WRITTEN PERMISSION | | CURRENT REV DESC: ADD NOTE 14 | |
| | DIMENSION UNITS | SCALE | | |
| $F_A = 0$ | mm | 4:1 | | |
| $F_C = 0$ | GENERAL TOLERANCES (UNLESS SPECIFIED) | | | |
| | ANGULAR TOL $\pm 0.5^\circ$ | | | |
| DIVISIONAL SYMBOLS | 4 PLACES | \pm | EC NO: 723726 | 2022/02/25 |
| | 3 PLACES | \pm | DRWN: MKIPPER | 2022/10/12 |
| | 2 PLACES | ± 0.25 | CHK'D: MKIPPER | 2022/10/13 |
| | 1 PLACE | ± 0.35 | APPR: FSMITH | 2022/10/13 |
| | 0 PLACES | \pm | INITIAL REVISION: | |
| | | | DRWN: MKIPPER | 2017/06/09 |
| | | | APPR: FSMITH | 2017/07/20 |
| DRAFT WHERE APPLICABLE MUST REMAIN WITHIN DIMENSIONS | | THIRD ANGLE PROJECTION | DRAWING | SERIES |
| | | | C-SIZE | 203632 |
| DOCUMENT STATUS | P1 | RELEASE DATE | 2022/10/13 13:32:56 | |
| DOCUMENT NUMBER | | | DOC TYPE | DOC PART |
| 2036320010-SD | | | PSD | 000 |
| MATERIAL NUMBER | | | CUSTOMER | SHEET NUMBER |
| SEE CHART | | | GENERAL MARKET | 2 OF 2 |

molex

MICROFIT (3.0) TPA DUAL ROW PLUG HOUSING
WITH OPTIONAL PANEL MOUNT (GLOW WIRE)

PRODUCT CUSTOMER DRAWING