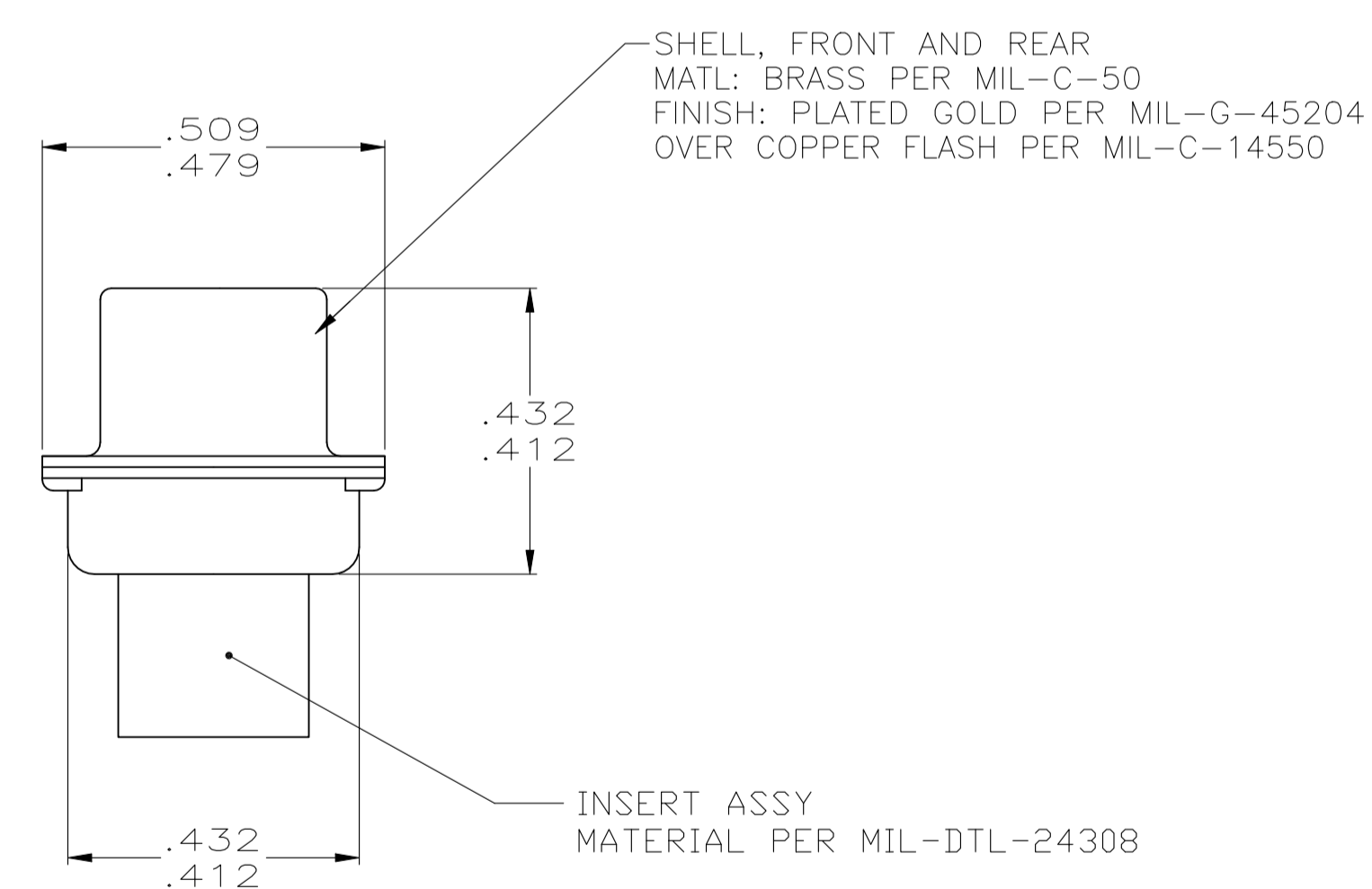
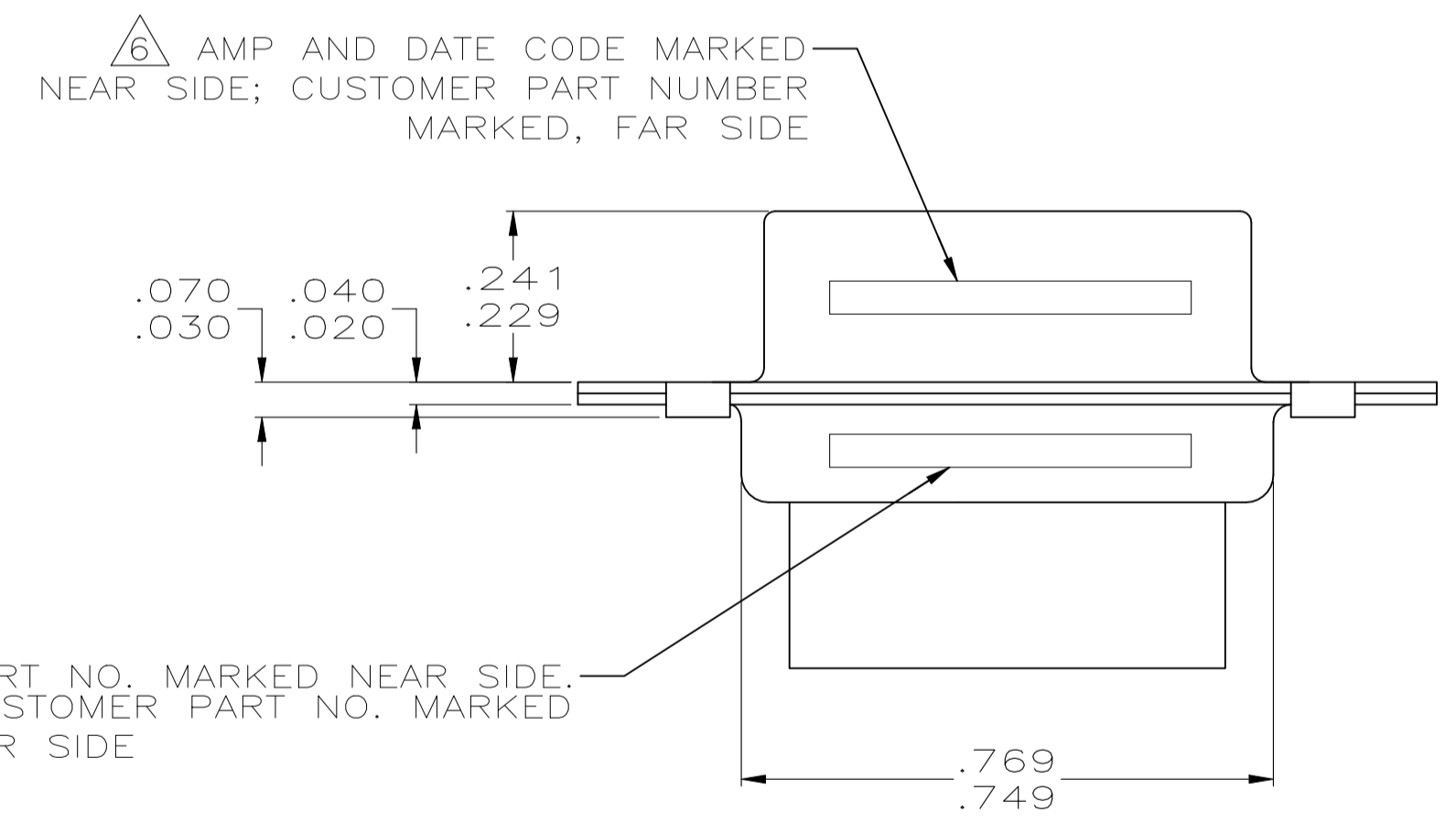
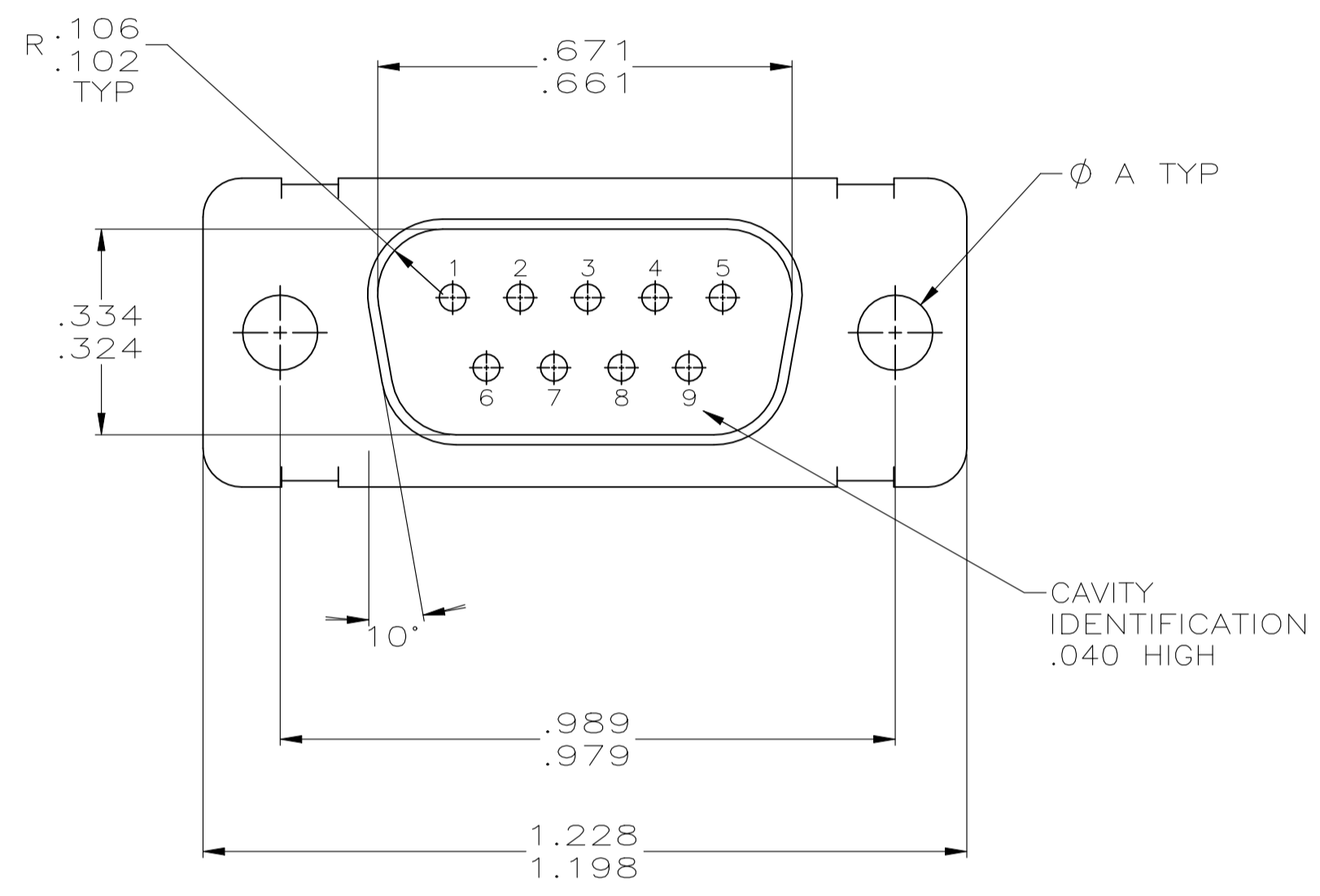


REVISIONS					
P	LTR	DESCRIPTION	DATE	DMN	APVD
P		REV PER ECO-20-017499	22OCT2021	JAB	DM



1. THIS PLUG WILL MATE WITH ANY RECEPTACLE CONNECTOR WITH THE SAME INSERT ARRANGEMENT AS DEFINED BY MS18273-1.
2. MAXIMUM WIRE INSULATION USED WITH THIS PLUG IS .072 DIA.
3. BE CU RETENTION CLIPS ARE INCLUDED IN INSERTS.
- ⚠ THESE CONNECTORS ARE QUALIFIED TO GODDARD SPACE FLIGHT CENTER SPECIFICATION S-311-P-4.
5. CONNECTOR SUPPLIED WITHOUT CONTACTS; SHOWN FOR DIMENSIONAL REFERENCE ONLY.
- ⚠ CUSTOMER PART NUMBER MAY BE SPLIT BETWEEN FRONT AND REAR SHELLS, SAME SIDE. FAR SIDE REFERS TO WIDE SIDE OF KEYSTONE, NEAR SIDE REFERS TO NARROW SIDE OF KEYSTONE.
- ⚠ RESTRICTED TO CAE ELECTRONICS ONLY.

	.120	570513-6	207252-6	207252-6	
	4 7	.120	311P409-1P-B-12	207252-2	207252-5
OBS		.120	2A014-001V-001	207252-4	207252-4
OBS		.120	---	207252-3	207252-3
	4	.120	311P409-1P-B-12	207252-2	207252-2
	4	.154	311P409-1P-B-15	207252-1	207252-1
REMARKS	A	MARK CUSTOMER P/N	MARK PART NUMBER	MARK PART NUMBER	

THIS DRAWING IS A CONTROLLED DOCUMENT.

DIMENSIONS: INCHES	TOLERANCES UNLESS OTHERWISE SPECIFIED:	DIN THOMPSON 08-12-93	THOMPSON 08-19-93			
0 PLC ± -	1 PLC ± -	CHK F. KINSEY 08-19-93	F. KINSEY 08-19-93			
2 PLC ± -	3 PLC ± .005	NAME: F. KINSEY 08-19-93		PLUG FOR PIN CONTACTS SERIES 109, SIZE 1, NONMAGNETIC 9 POSITION		
4 PLC ± -	ANGLES ± °	PRODUCT SPEC				
MATERIAL SEE CALLOUTS	FINISH SEE CALLOUTS	WEIGHT 0.000000	SIZE A1	CAGE CODE 00779	DRAWING NO. 207252	RESTRICTED TO
CUSTOMER DRAWING		SCALE 4:1	SHEET 1 of 1	REV P		