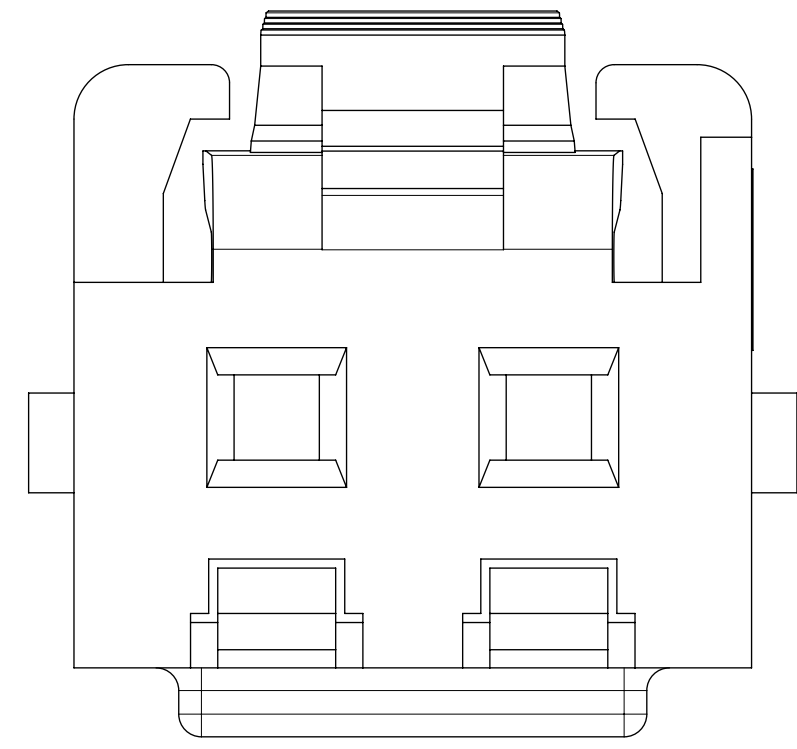
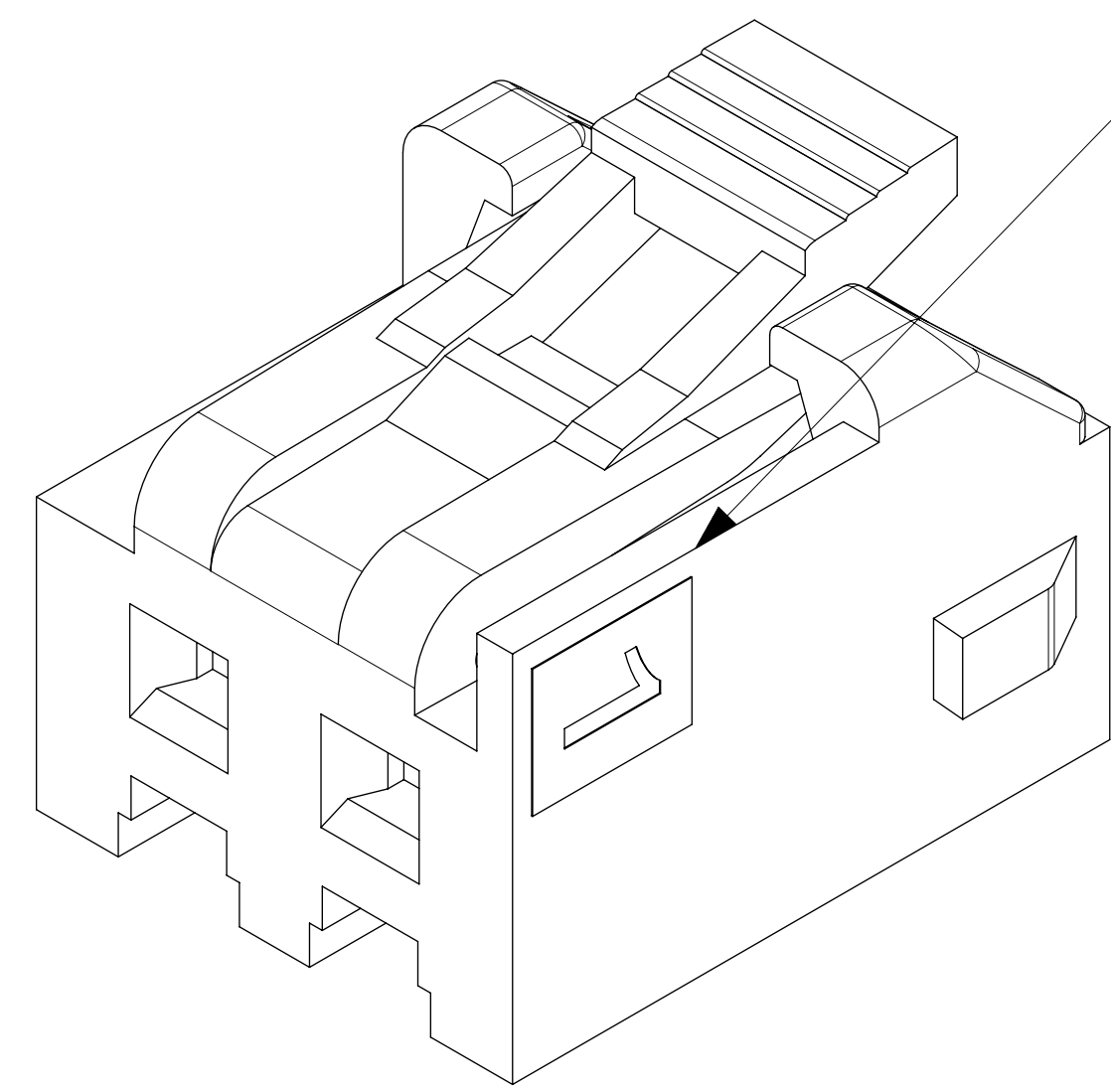
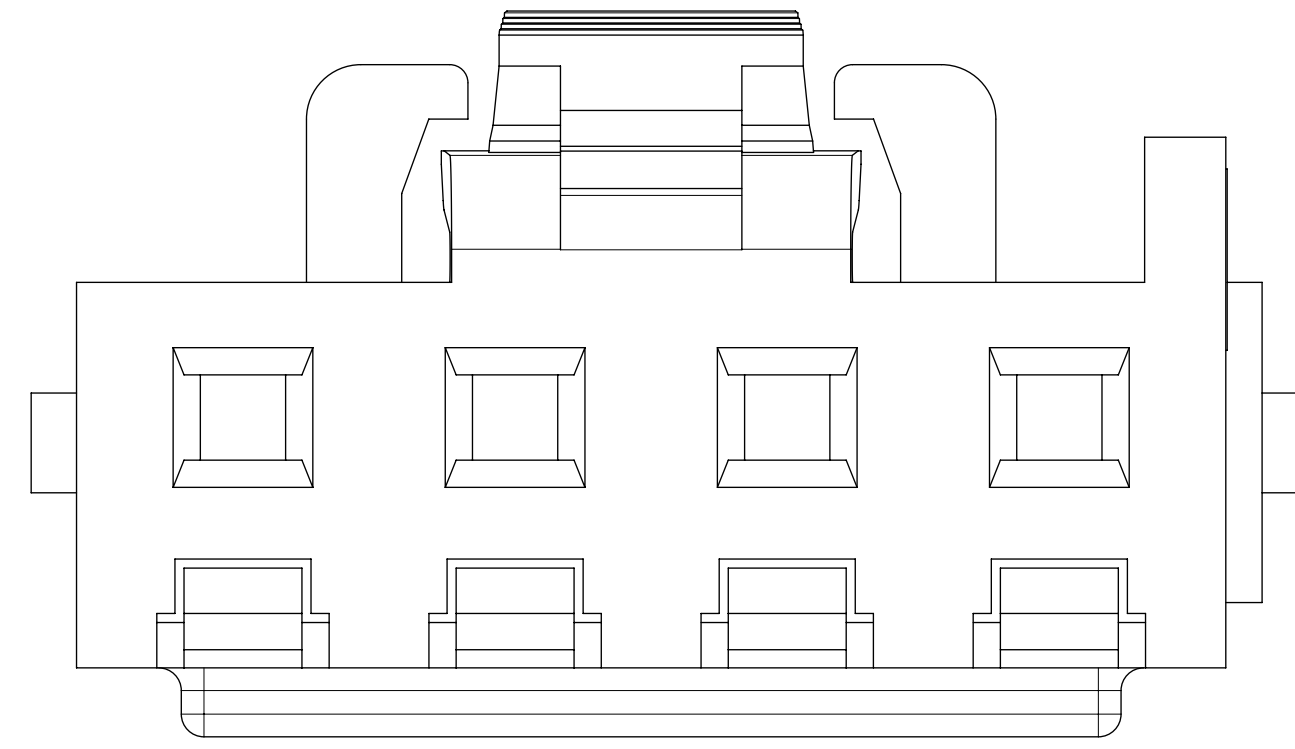


POLARIZATION

2CKT

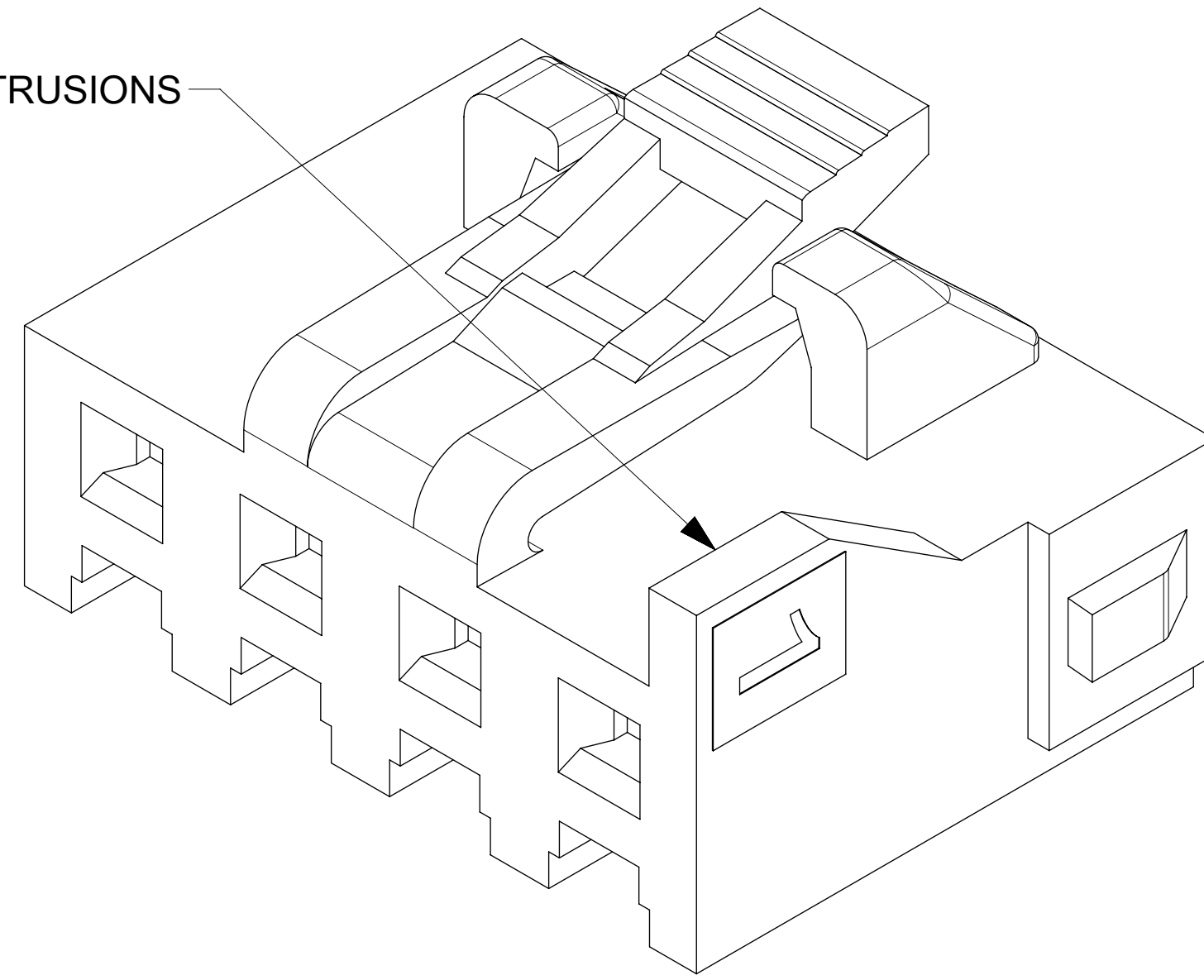


3 & 4 CKTS



ISOMETRIC OF 2CKT

KEYING PROTRUSIONS



ISOMETRIC VIEW FOR 3 & 4 CKT

SYMBOLS	THIS DRAWING CONTAINS INFORMATION THAT IS PROPRIETARY TO MOLEX ELECTRONIC TECHNOLOGIES, LLC AND SHOULD NOT BE USED WITHOUT WRITTEN PERMISSION		
	DIMENSION UNITS	SCALE	CURRENT REV DESC:
▽ = 0	mm	10:1	EC NO: 707267 DRWN: SHRUTJ 2022/05/17 CHK'D: SHRUTJ 2022/05/18 APPR: ISHWARG 2022/05/19 INITIAL REVISION: DRWN: GSHARMA 2019/01/16 APPR: ISHWARG 2020/05/22
▽ = 0	GENERAL TOLERANCES (UNLESS SPECIFIED)		
▽ = 0	ANGULAR TOL ± 0.5°		
▽ = 0	4 PLACES ±		
▽ = 0	3 PLACES ±		
▽ = 0	2 PLACES ± 0.25		DOCUMENT NUMBER DOC TYPE DOC PART REVISION <div style="text-align: center; font-size: 12px; font-weight: bold;">2092090000-SD</div> PSD 000 A1
▽ = 0	1 PLACE ± 0.3		
▽ = 0	0 PLACES ±		
▣ = 0	DRAFT WHERE APPLICABLE MUST REMAIN WITHIN DIMENSIONS	THIRD ANGLE PROJECTION	DRAWING SERIES MATERIAL NUMBER CUSTOMER SHEET NUMBER
▽ = 0			D-SIZE 209209 SEE TABLE GENERAL MARKET 2 OF 2