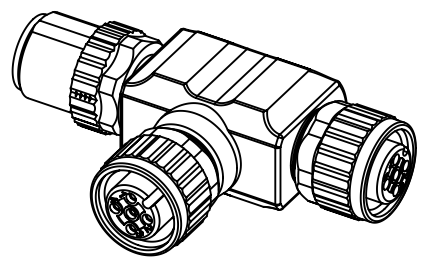
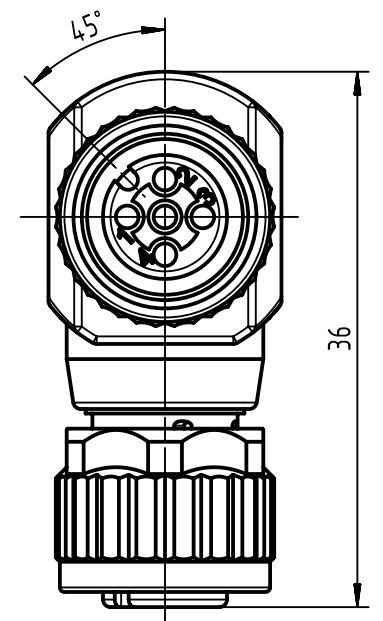
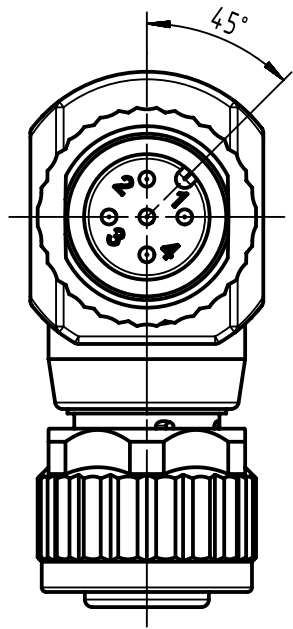
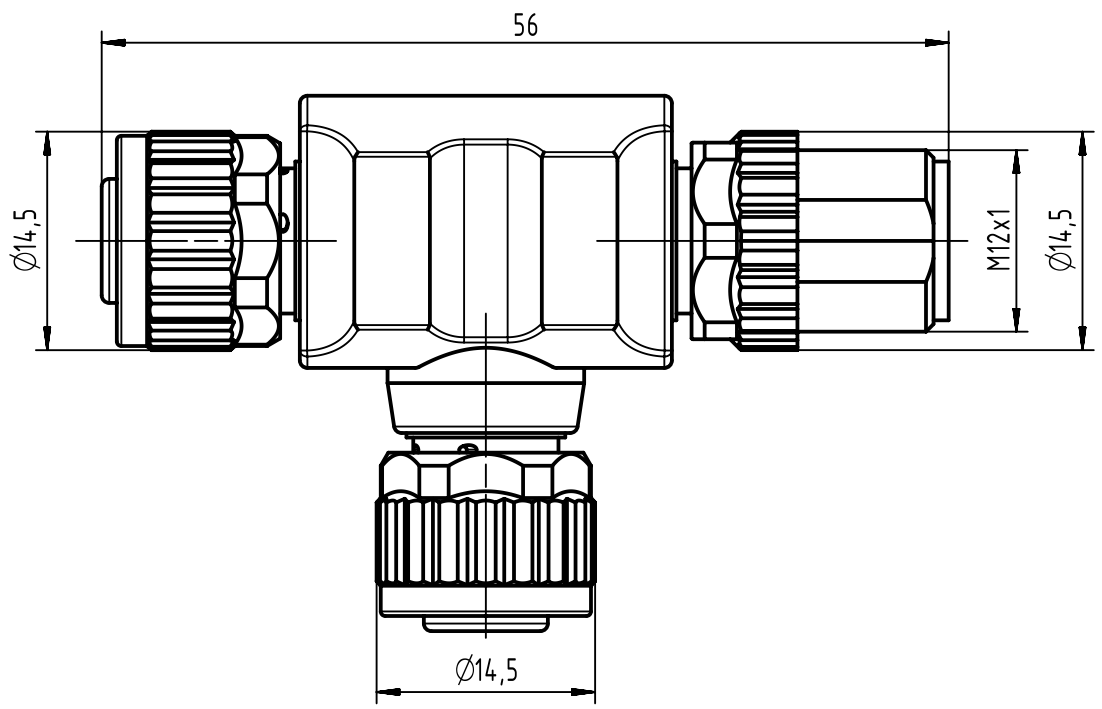
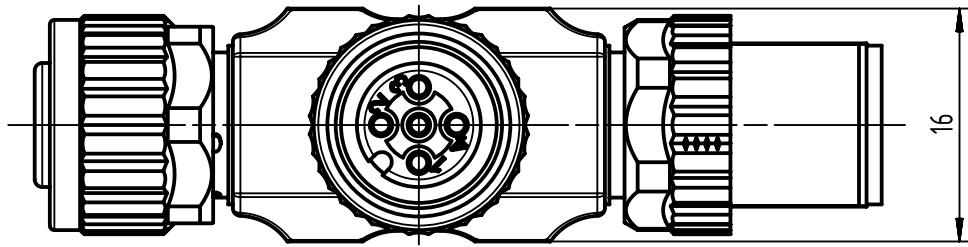
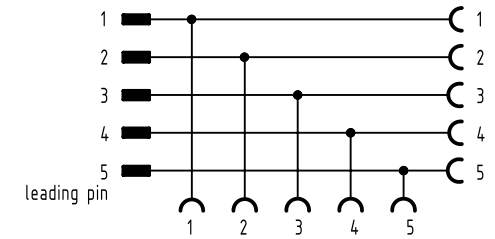


Schematic diagram



	All Dimensions in mm Original Size DIN A4		Scale 2:1	Free size tol.		Ref.	
	All rights reserved Department EC PD - DE		Created by DYCKC	Inspected by WELLMANN	Standardisation HOFFMANN	Sub.	
HARTING Electronics GmbH D-32339 Espelkamp		Title HARTING M12 T-coupler male/ 2x female				Date 2014-06-05	State Final Release
		Type TB				Number 21033199501	Doc-Key / ECM-Nr. 100579740/UGD/000/A 500000075584
						Rev. A	Page 1/1