

length when assembled app. 51

SW15
width across
flats: 15

Ø16,7

length when assembled app. 42

SW15
width across
flats: 15

M12x1

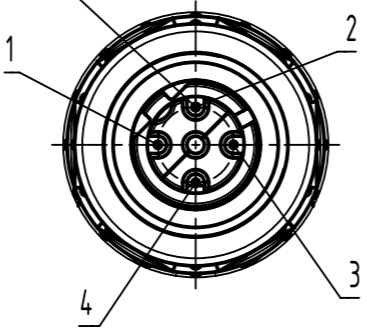
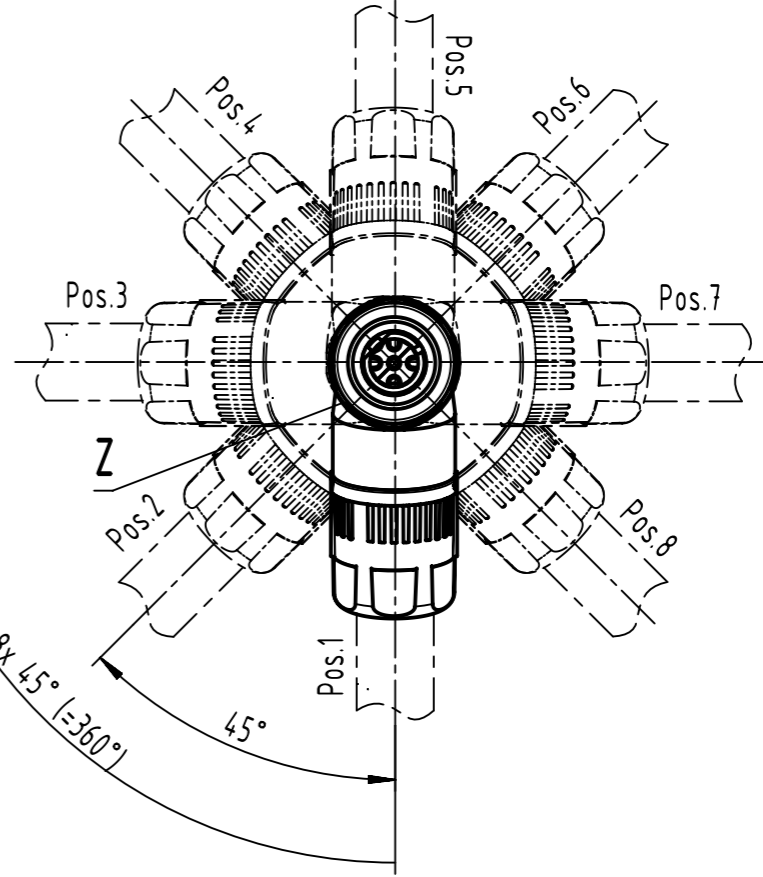
Ø17

105°

SW16
width across
flats: 16

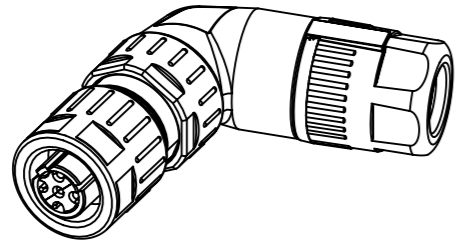
assembly aid enclosed

Z (2:1)
contact face acc. to
IEC 61076-2-101



order contacts separately

cable Ø	wire gauge	contact part-no.
5,7-8,8mm	AWG 26-22	09 67 000 5476
	AWG 24-20	09 67 000 8476
	AWG 22-18	09 67 000 3476



	All rights reserved Department EL PD	All Dimensions in mm Original Size DIN A3	Scale 1:1	Free size tol.	Ref. Sub.
		Created by BALSAN	Inspected by PRIESTER	Standardisation 302077	Date 2021-04-16
HARTING D-32339 Espelkamp		Title M12 SD D-cod 4-pol angled female			Doc-Key / ECM-Nr. 100591267/UGD/002/J 500000193237
		Type TB	Number 21038814405		Rev. J Page 1/1