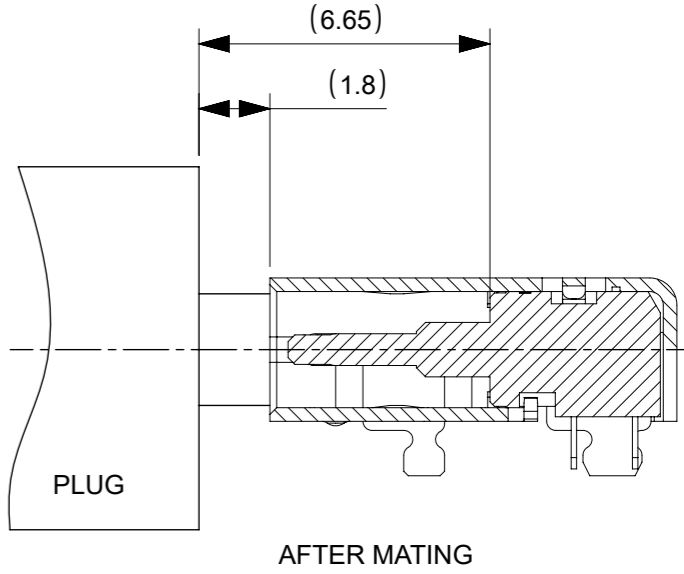
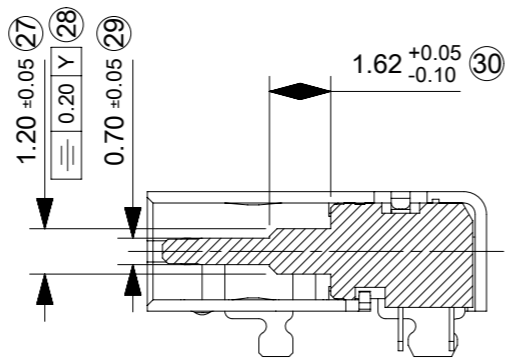
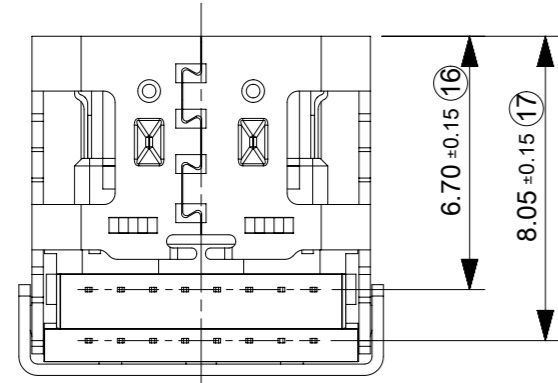
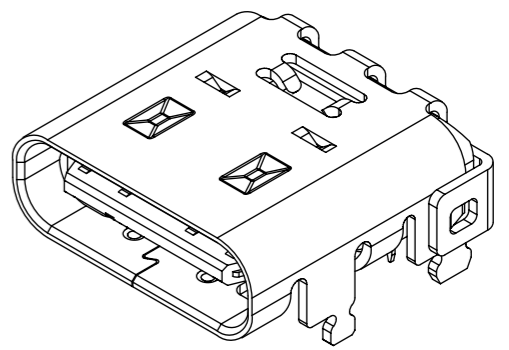
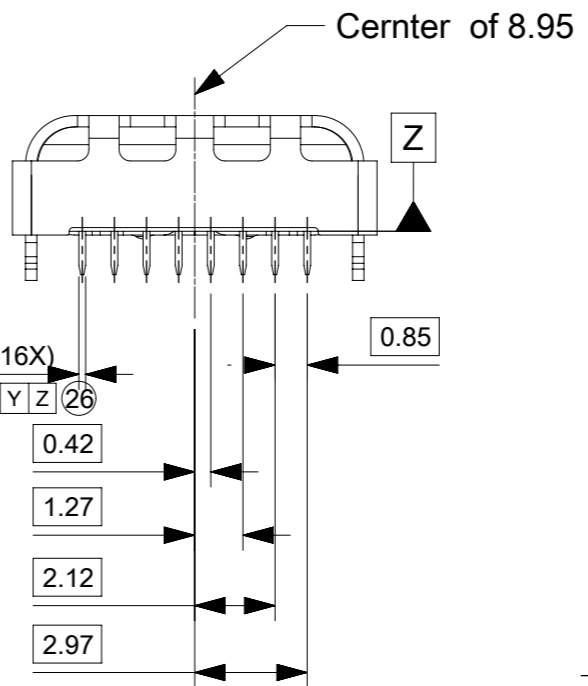
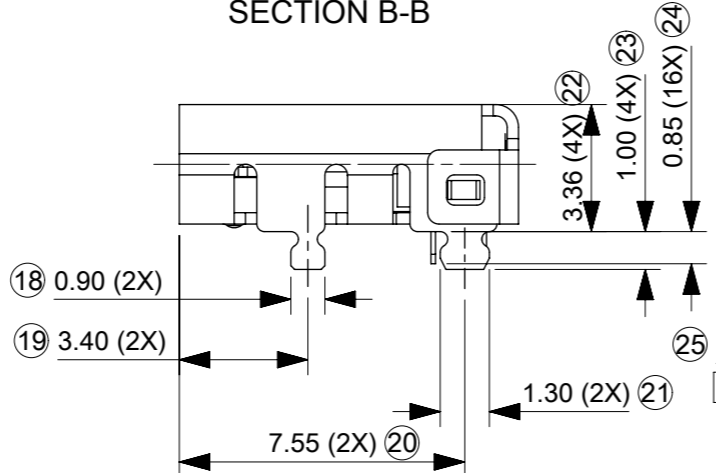
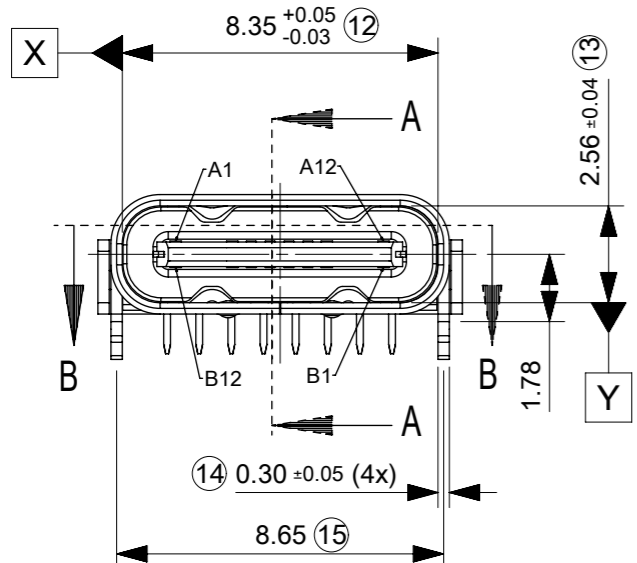
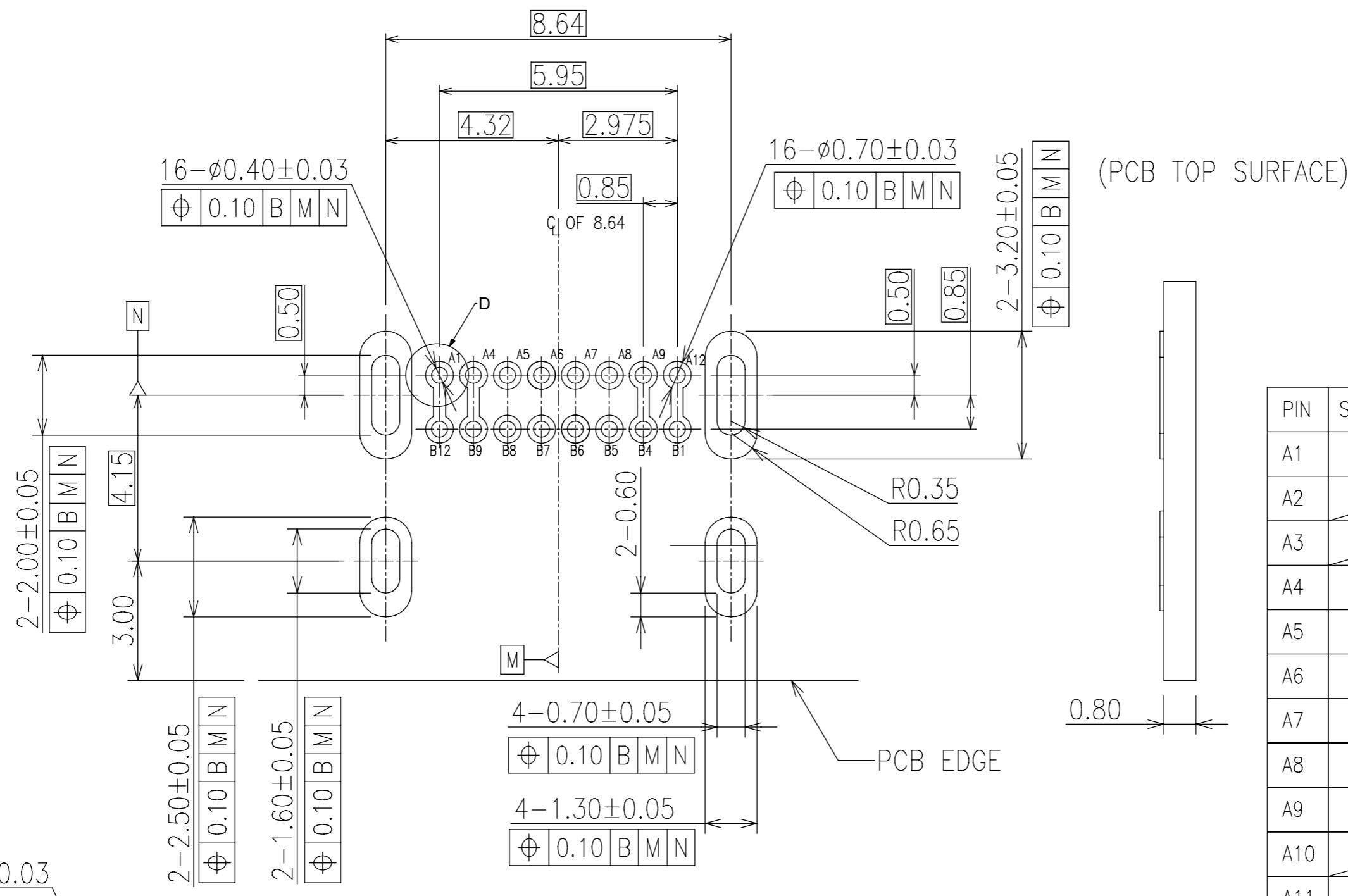


NOTES:
 1.MATERIAL:
 1.1 INNER BLADE:HIGH TEMPERATURE THERMAL PLASTIC BLACK,UL94V-0,
 1.2 TERMINAL: COPPER ALLOY,
 1.3 SHELL: STAINLESS STEEL,
 1.4 MIDDLE CLIP: STAINLESS STEEL,
 2.PLATING:
 2.1 TERMINAL:OVERALL PLATING Ni BASE 50u"MIN, PLATING Au 1u"MIN IN SOLDERING AREA,PLATING Au 3u"MIN IN CONTACT AREA;
 2.2 SHELL:OVERALL PLATING Ni 50u"-120u";
 2.3 MIDDLE CLIP:CLEANING;
 3. PRODUCT SPER REFER TO PS-213716-001
 4. PACKAGE SPEC REFER TO 2137169999PDD000.
 5. SHELL CANNOT BE LOOSE.



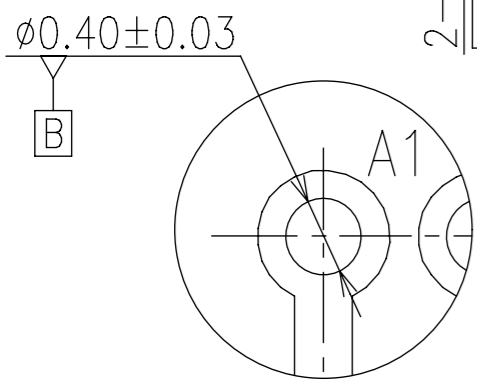
THIS DRAWING CONTAINS INFORMATION THAT IS PROPRIETARY TO MOLEX ELECTRONIC TECHNOLOGIES, LLC AND SHOULD NOT BE USED WITHOUT WRITTEN PERMISSION									
DIMENSION UNITS		SCALE		CURRENT REV DESC:					
mm		1:1		molex USB C,REC,16PIN,DUAL DIP,R/A PRODUCT CUSTOMER DRAWING EC NO: 660740 DRWN: RZHANG 2021/04/13 3 PLACES ± CHK'D: AYIN 2021/04/23 APPR: AYIN 2021/04/23 INITIAL REVISION: DRWN: FYANG05 2019/07/19 APPR: RZHANG 2019/11/15 DOCUMENT NUMBER: 2137160001 DOC TYPE: PSD DOC PART: 000 REVISION: B MATERIAL NUMBER: 2137160001 CUSTOMER: GENERAL MARKET SHEET NUMBER: 1 OF 2					
GENERAL TOLERANCES (UNLESS SPECIFIED)									
ANGULAR TOL ± 3.0°									
4 PLACES ±									
3 PLACES ±									
2 PLACES ± 0.1									
1 PLACE ± 0.2									
0 PLACES ± 0.3									
DRAFT WHERE APPLICABLE MUST REMAIN WITHIN DIMENSIONS		THIRD ANGLE PROJECTION		DRAWING		SERIES		MATERIAL NUMBER	
				A3-SIZE		213716		2137160001	



(PCB TOP SURFACE)

PIN	SIGNAL NAME	PIN	SIGNAL NAME
A1	GND	B12	GND
A2		B11	
A3		B10	
A4	VBUS	B9	VBUS
A5	CC1	B8	SBU2
A6	Dp1	B7	Dn2
A7	Dn1	B6	Dp2
A8	SBU1	B5	CC2
A9	VBUS	B4	VBUS
A10		B3	
A11		B2	
A12	GND	B1	GND

RECOMMENDED PCB LAYOUT
GENERAL TOLERANCE ±0.05



DETAIL D
SCALE: 3:1

THIS DRAWING CONTAINS INFORMATION THAT IS PROPRIETARY TO MOLEX ELECTRONIC TECHNOLOGIES, LLC AND SHOULD NOT BE USED WITHOUT WRITTEN PERMISSION		CURRENT REV DESC:		molex	
DIMENSION UNITS	SCALE	EC NO: 660740			
mm	1:1	DRWN: RZHANG 2021/04/13		PRODUCT CUSTOMER DRAWING	
GENERAL TOLERANCES (UNLESS SPECIFIED)		CHK'D: AYIN 2021/04/23		DOCUMENT NUMBER	
ANGULAR TOL ± 3.0°		APPR: AYIN 2021/04/23		2137160001	
4 PLACES ±		INITIAL REVISION:		DOC TYPE	
3 PLACES ±		DRWN: FYANG05 2019/07/19		PSD	
2 PLACES ± 0.1		APPR: RZHANG 2019/11/15		DOC PART	
1 PLACE ± 0.2		SERIES		000	
0 PLACES ± 0.3		MATERIAL NUMBER		B	
DRAFT WHERE APPLICABLE MUST REMAIN WITHIN DIMENSIONS		THIRD ANGLE PROJECTION	DRAWING	CUSTOMER	SHEET NUMBER
			A3-SIZE	GENERAL MARKET	2 OF 2