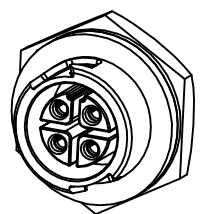
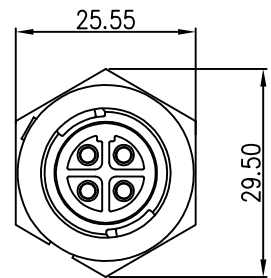
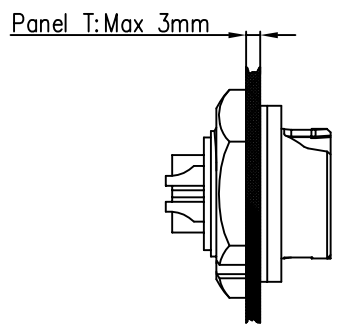
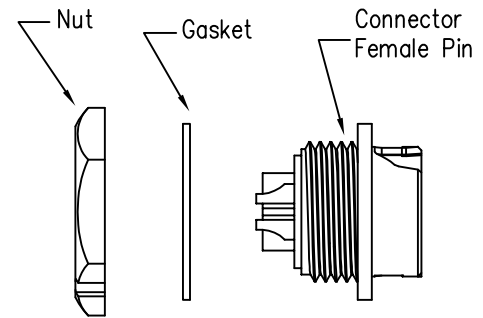
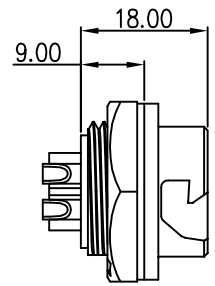


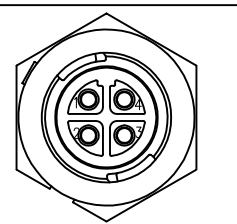
| REV. | ECN NO. | DESCRIPTION | SIGN | DATE |
|------|---------|-----------------|------|------------|
| C1 | N/A | INITIAL DRAWING | Liu | 2020/05/16 |



Recommended Panel Cut-Out



23XXX635-03
Pin Number



4 Pin

P/N: 23004635-03

Pin Assignments
Front View

- Specification:
- 1.Operation Temperature: $-45^{\circ}\text{C} \sim 105^{\circ}\text{C}$.
 - 2.Insulation Resistance: $100\text{M}\Omega$ at DC500V.
 - 3.Contact Resistance: $<10\text{m}\Omega$.
 - 4.Withstand Voltage: 2000V AC
 - 5.Operating Current: 15A
 - 6.Operating Voltage: AC 300V
 - 7.Waterproof Rate: IP67 (Mated)
 - 8.Housing: Nylon, Black
 - 9.Female Pin: Copper Alloy, Gold Plated
 - 10.Gasket: Silicon Gray
 - 11.Panel Nut: Nylon, Blue
 - 12.Torque Rate: $0.8 \sim 1.0\text{N} \cdot \text{m}$
 - 13.RoHS Compliant.
 - 14.Mating Cap P/N: 806-00103-00

| | | | | | | |
|--|--------------|--|----------------|------------------------|----------------------|--------------------|
| UNIT:mm | | DESCRIPTION Middle Series Push Lock Rear Mount With Female Pin | CHOGORI | PART NO 23004635-03 | DRAWN BY Liu | DATE 2020/05/16 |
| TOLERANCE .X ±0.25 .XX ±0.15 .XXX ±0.05 ANGLES ±1° | SCALE 1:1 | SHEET 1 OF 1 | | DWG NO | CHECKED BY Mo | DATE 2020/05/16 |
| REV. C1 | SIZE A4 | * :Inspection Item | | CUSTOMER | APPROVED BY Adley | DATE 2020/05/16 |

THIS INFORMATION IS CONFIDENTIAL AND IS DISCLOSED TO YOU ON CONDITION THAT NO FURTHER DISCLOSURE IS MADE BY YOU TO OTHER THAN CHOGORI PERSONNEL WITHOUT AUTHORIZATION FROM CHOGORI CORP.