

Long Reach Needle Nose Pliers

with transverse wave

DIN ISO 9745

28

Long assembly pliers with wave profile

Long slim design is perfect for gripping and assembly work in hard to reach areas

Deep parts can be easily reached using the slim, half-round tips

Grips up to 2 1/4"

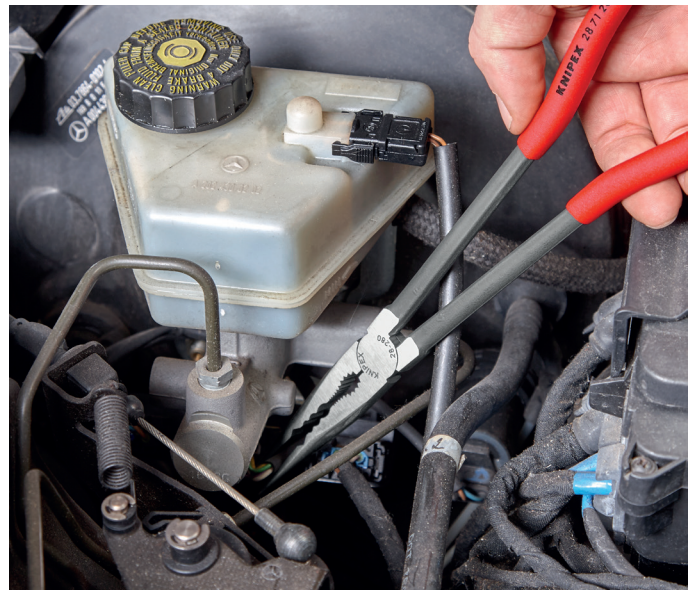
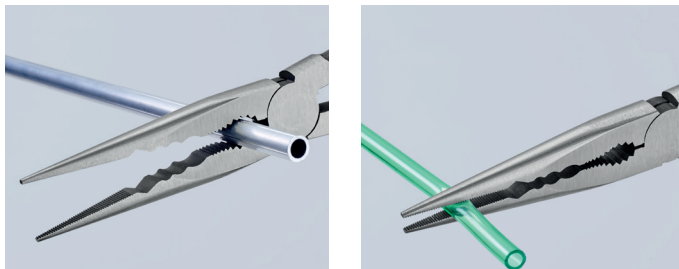
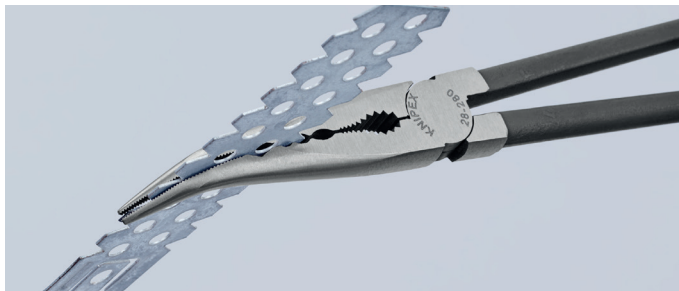
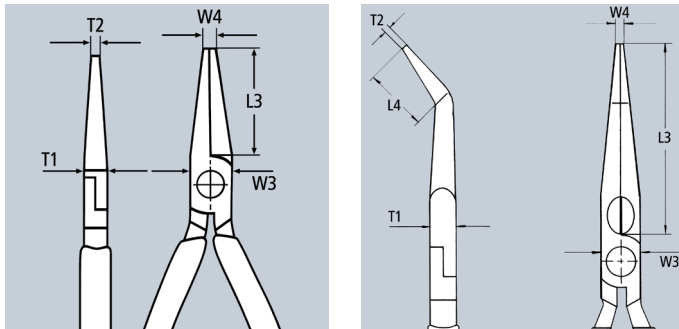
- > careful yet reliable gripping, holding and guiding of small copper pipes, screws and cables as well as other round parts due to milled grooves with smooth surfaces
- > four small pulling grooves in jaws will grab tightly when holding and pulling round objects
- > serrated gripping area for holding on to round parts near base of jaws
- > particularly suitable for work in the automotive trade and in mechanical engineering
- > slim yet robust tool
- > forged from special tool steel; oil-hardened and tempered



28 71 280



28 81 280
 $\angle 45^\circ$



Transverse wave shape gripping profile for gripping, holding and guiding

Product Number	Packaging	↔ Inch mm		Pliers	Head	Handles	Dimensions						 lbs
							L3 Inch mm	L4 Inch mm	W3 Inch mm	T1 Inch mm	W4 Inch mm	T2 Inch mm	
28 71 280	X	11 280		black atramentized	polished	non-slip plastic coated	3 76.5	-	25/32 20.0	23/64 9.0	1/8 3.0	3/32 2.5	0.52
28 81 280	X	11 280	$\angle 45^\circ$	black atramentized	polished	non-slip plastic coated	2 3/4 70.0	25/32 20.0	25/32 20.0	23/64 9.0	3/32 2.5	3/32 2.5	0.52