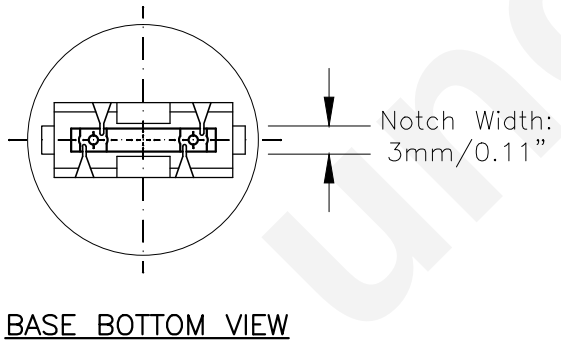
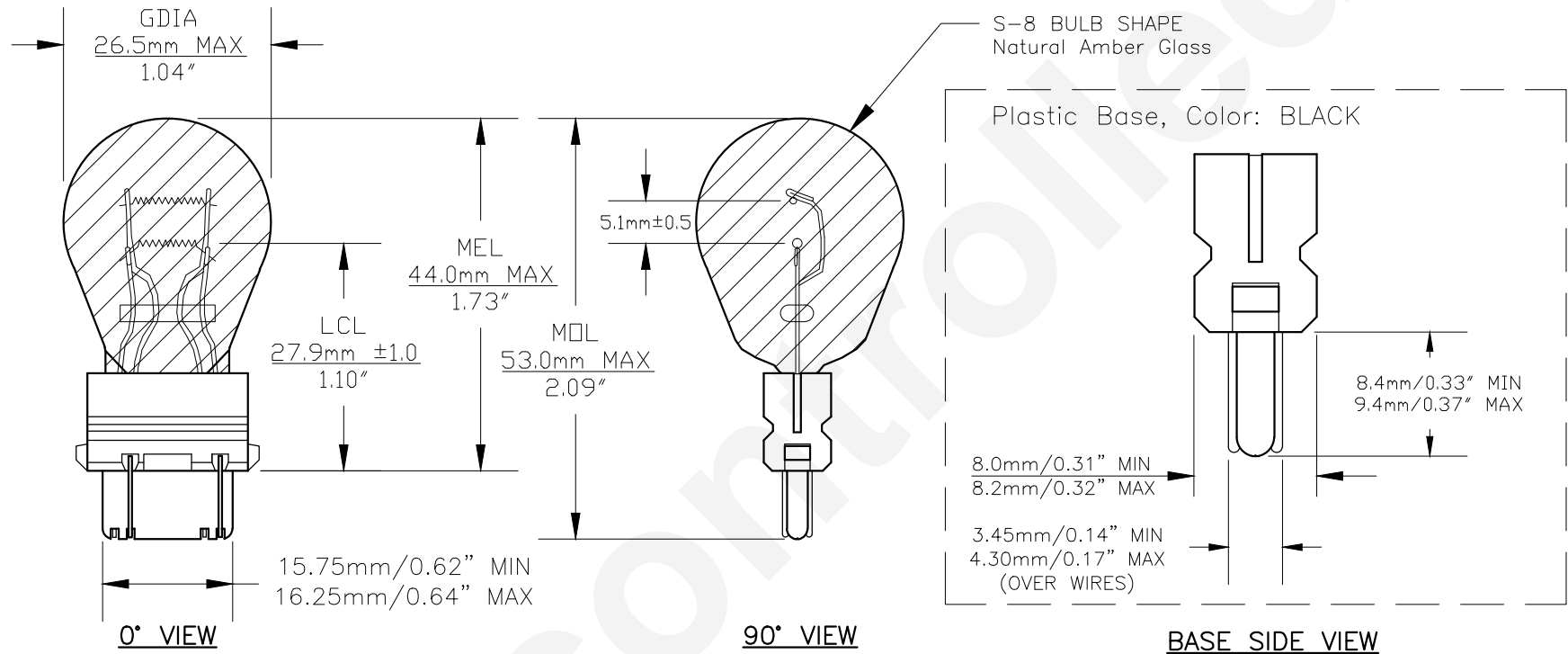




PART NO.	BASE TYPE	DESIGN VOLTS	DESIGN AMPS	MSCD	FILAMENT TYPE	AVERAGE LIFE HOURS	REVISIONS			
							REV #	DESCRIPTION	DATE	APPROVED
3057NALL	D.F. Plastic Wedge W2.5X16q	12.8V 14.0V	2.10±5% 0.48±5%	24±30% 1.6±30%	C-6 C-6	2000 10000	1	ISSUED	04/12/2001	E.S.
							2	ADDED FILAMENT DISTANCE DIMENSIONS	10/04/2018	R.M.



Note: Made according to SAE specifications



UNLESS OTHERWISE SPECIFIED: DIMENSIONS ARE IN INCHES TOLERANCES		CEC INDUSTRIES LTD			
DECIMALS	ANGULAR	599 BOND STREET		LINCOLNSHIRE, IL 60069	
.XX ± .05	± 0.5°	DRAWN ELIZABETH SONANES		TITLE LIGHT BULB NO. 3057NALL	
.XXX ± .010		DATE 04/12/2001	SIZE A	DWG NO. 3057NALL	REV 2
FRACTIONAL	±1/64	CHECKED	SCALE	PLOT SCALE	SHEET 1 OF 1
MATERIAL		FILE 3057NALL.pdf	DRAWING NOT TO SCALE		