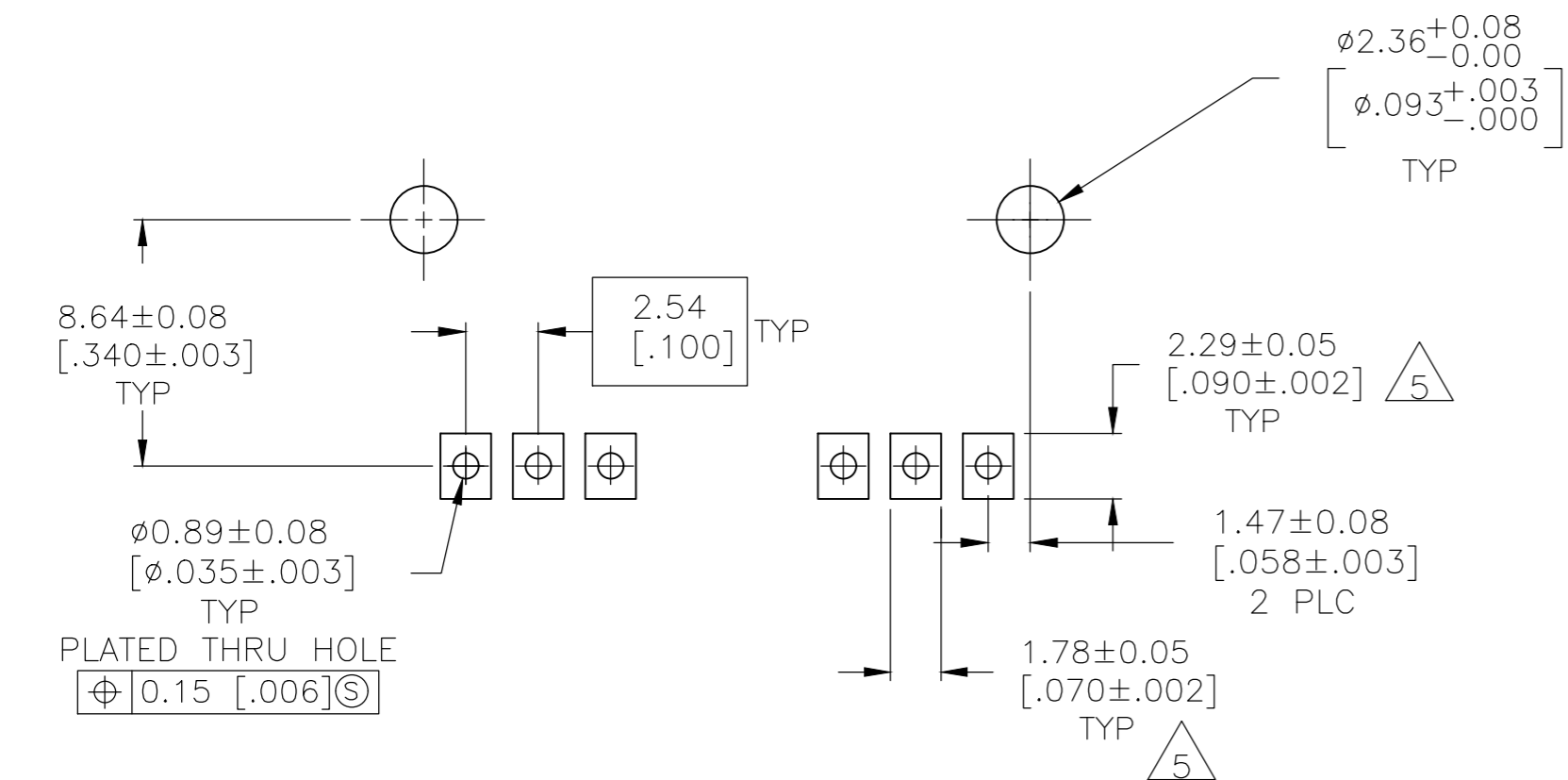
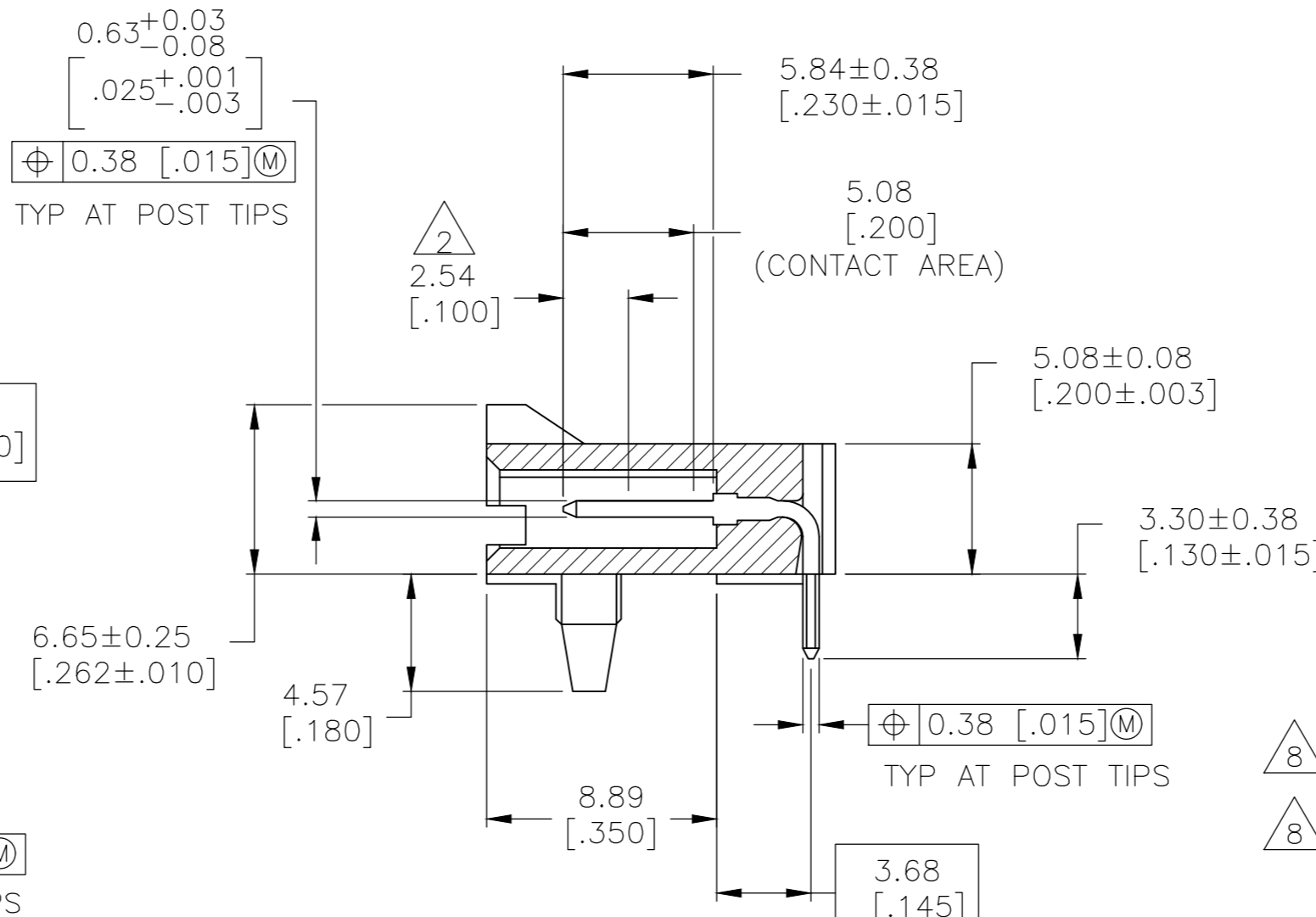
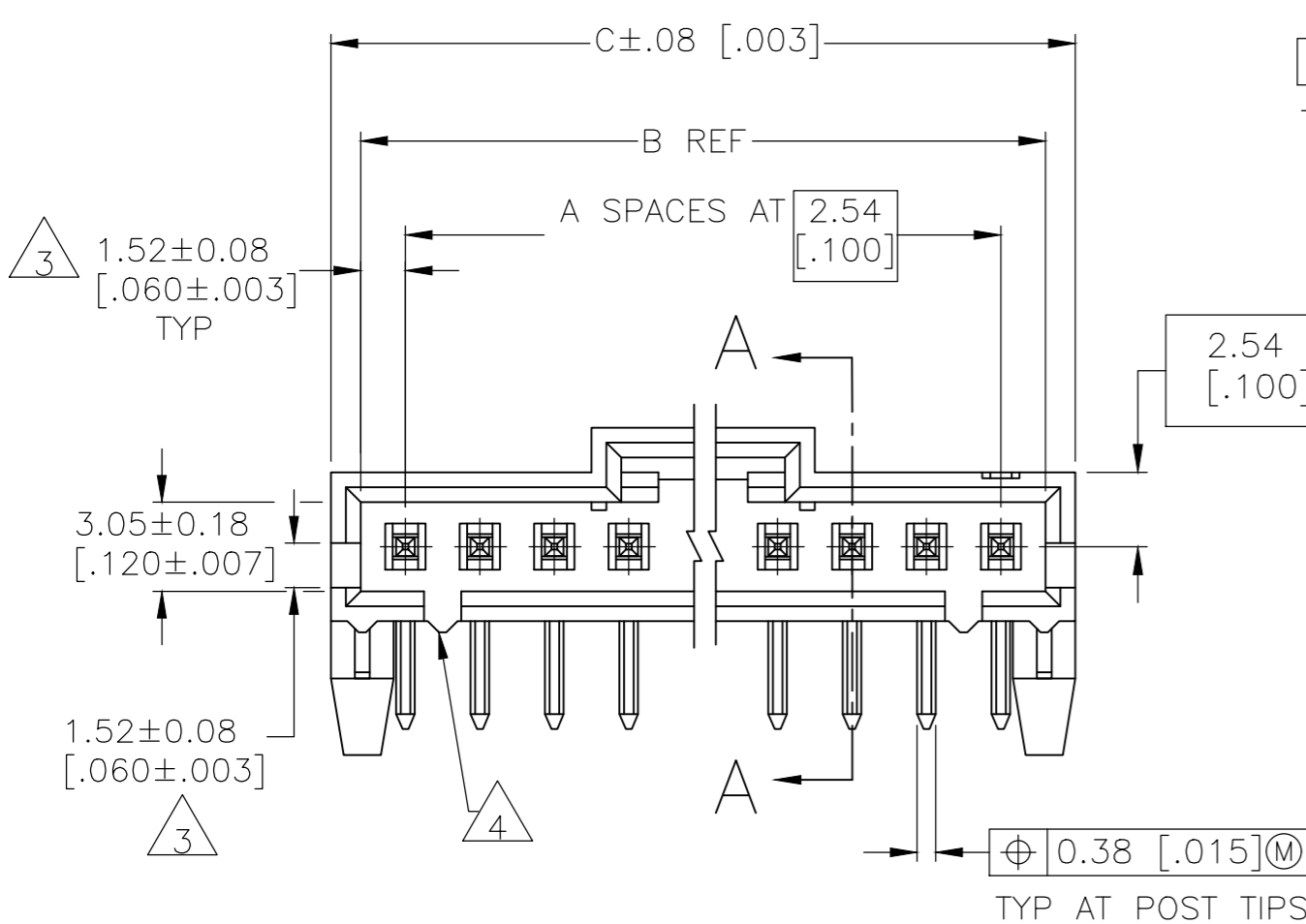
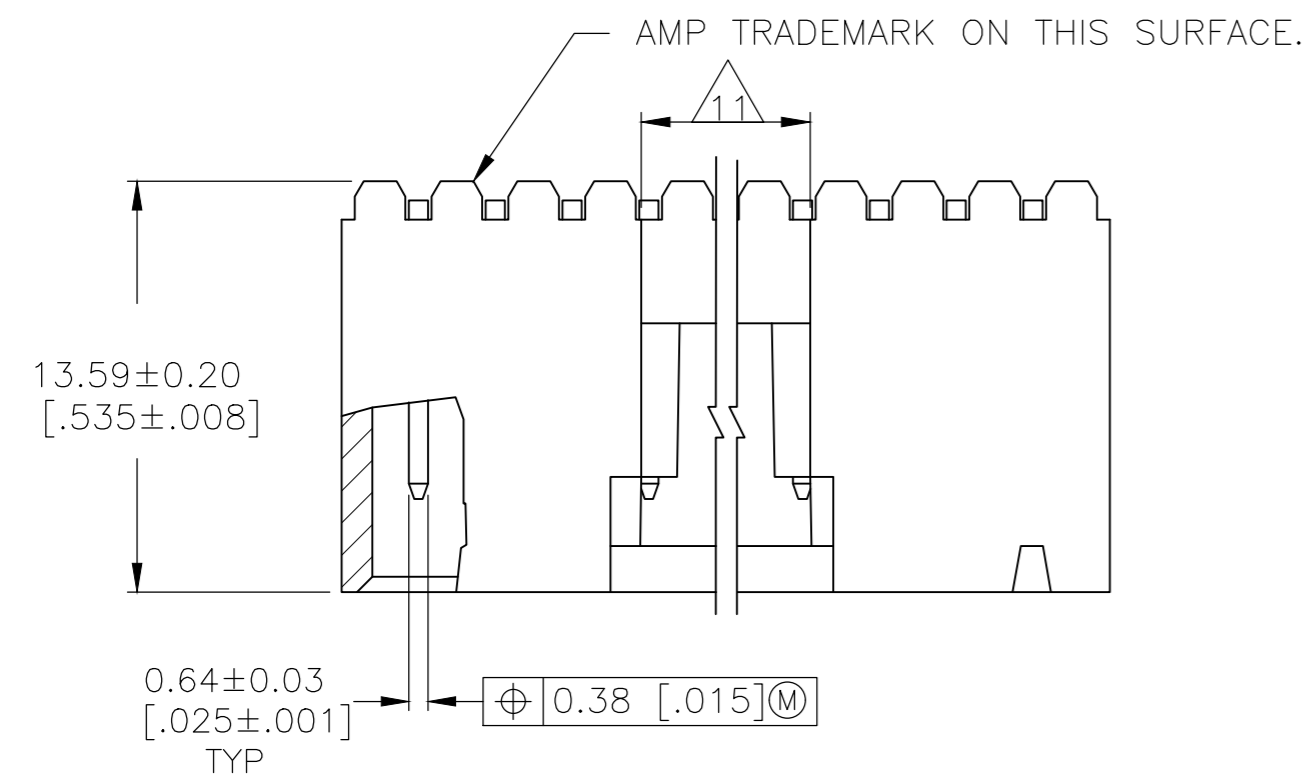


REVISIONS					
P	LTR	DESCRIPTION	DATE	DWN	APVD
J		REVISED PER ECO-20-001327	05JUN2020	SB	JO



RECOMMENDED PC BOARD MOUNTING DIMENSIONS
RECOMMENDED STENCIL THICKNESS = .25[.010]

- 1 .00076[.000030] GOLD IN THE CONTACT AREA, .00254[.000100]-.0051[.000200] MATTE TIN-LEAD ON THE SOLDER TAIL, ALL OVER .000050 NICKEL
- 2 POINT OF MEASUREMENT FOR PLATING THICKNESS
- 3 THE NOTED DIMENSIONS APPLY FROM THE BASIC DIMENSION LINE (NOT THE POST CENTERLINE) TO THE SURFACE INDICATED
- 4 ON ASSEMBLIES WITH FOUR OR MORE POSITIONS, TWO POLARIZATION SLOTS. ON ASSEMBLIES WITH TWO OR THREE POSITIONS, ONE POLARIZATION SLOTS.
- 5 DIMENSION NOTED ARE FOR SOLDER STENCIL LAYOUT FOR USE WITH A 1.57±0.20[.062±.008] THICK PRINTED CIRCUIT BOARD.
- 6. PARTS ARE PACKAGED IN GANG OF TUBES
- 7 HOUSING: LCP, COLOR: BLACK. POST: BRASS
- 8 PRELIMINARY PART - NOT RELEASED FOR PRODUCTION.
- 9 .00076[.000030] GOLD IN THE CONTACT AREA, .00254[.000100]-.0051[.000200] MATTE TIN ON THE SOLDER TAIL, ALL OVER .000050 NICKEL
- 10 OBSOLETE PARTS: OBSOLETE CIS STREAMLINING PER D.RENAUD/D.SINISI
- 11 0.25 [.010] RECESS PERMISSIBLE IN THIS AREA FOR MOLD SHUT OFF

8	9	40.51 [1.595]	38.61 [1.520]	14	15	6-104681-4
8	9	22.73 [.895]	20.83 [.820]	7	8	5-104681-7
	9	10.03 [.395]	8.13 [.320]	2	3	5-104681-2
	9	7.49 [.295]	5.59 [.220]	1	2	5-104681-1
8	1	40.51 [1.595]	38.61 [1.520]	14	15	1-104681-4
8	1	22.73 [.895]	20.83 [.820]	7	8	104681-7
10	1	10.03 [.395]	8.13 [.320]	2	3	104681-2
	1	7.49 [.295]	5.59 [.220]	1	2	104681-1
		PLATING	C B A		NO. OF POSN	PART NO.

THIS DRAWING IS A CONTROLLED DOCUMENT.

DIMENSIONS: mm [INCHES]	TOLERANCES UNLESS OTHERWISE SPECIFIED: 0 PLC ± - 1 PLC ± - 2 PLC ± 0.13 [.005] 3 PLC ± - 4 PLC ± - ANGLES ± -	DWN M.BINNER 28FEB01 CHK K.WRIGHT 07MAR01 APVD K.WRIGHT 07MAR01 PRODUCT SPEC APPLICATION SPEC MATERIAL FINISH SEE TABLE	28FEB01 NAME HDR ASSY, AMPMODU MTE, RTANG, SINGLE ROW, .100, .025 SQ POST, WITH LATCH & HOLD DOWNS SIZE CAGE CODE DRAWING NO RESTRICTED TO
		WEIGHT - CUSTOMER DRAWING	SCALE 4:1 SHEET 1 of 1 REV J

TE Connectivity

104681