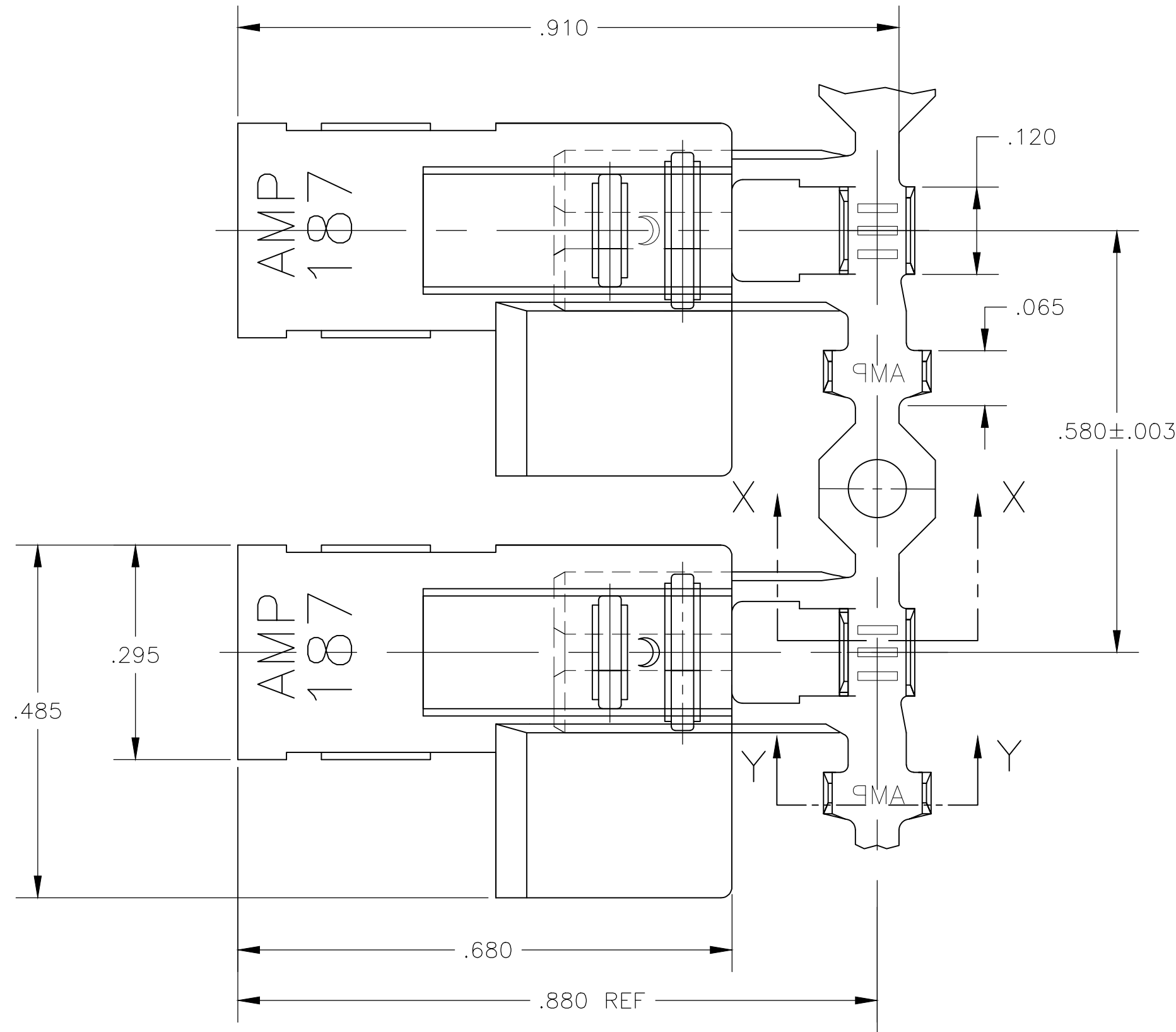
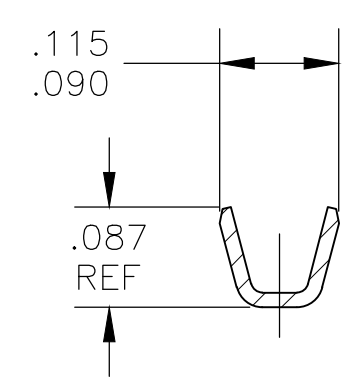
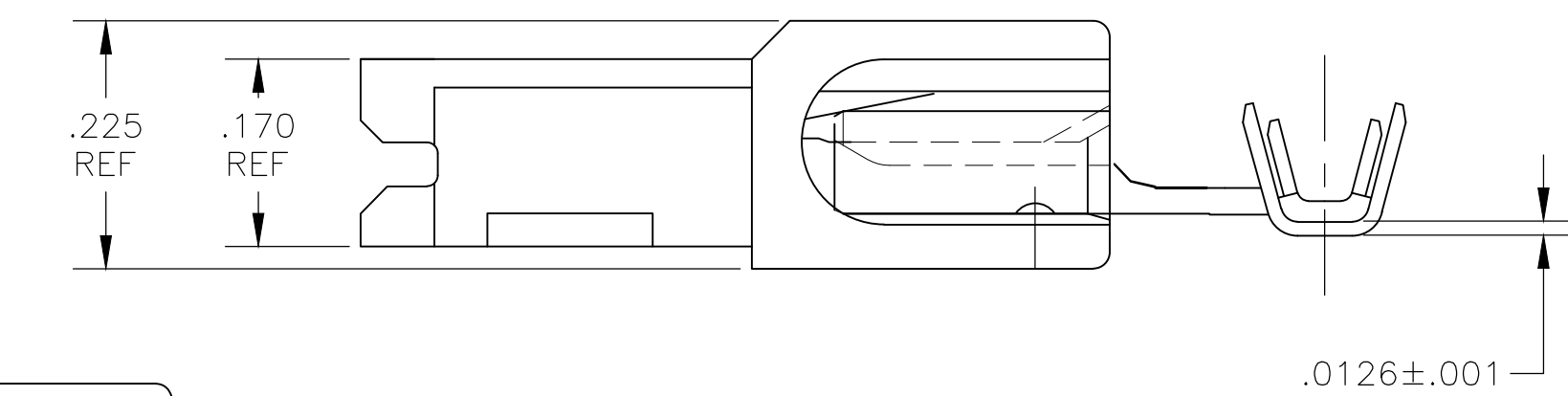


THIS DRAWING IS UNPUBLISHED. RELEASED FOR PUBLICATION  
 © COPYRIGHT - By - ALL RIGHTS RESERVED.

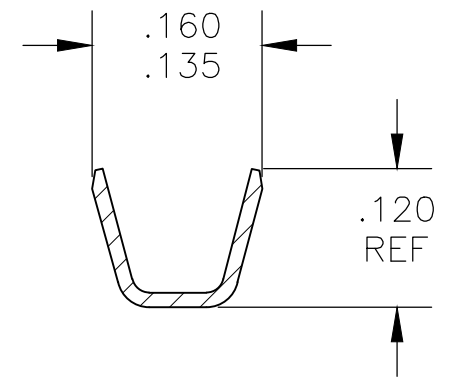
LOC	DIST	REVISIONS			
P	LTR	DESCRIPTION	DATE	DWN	APVD
AF	50	E1	REVISED PER ECR-19-018062	06DEC2019	SS TD



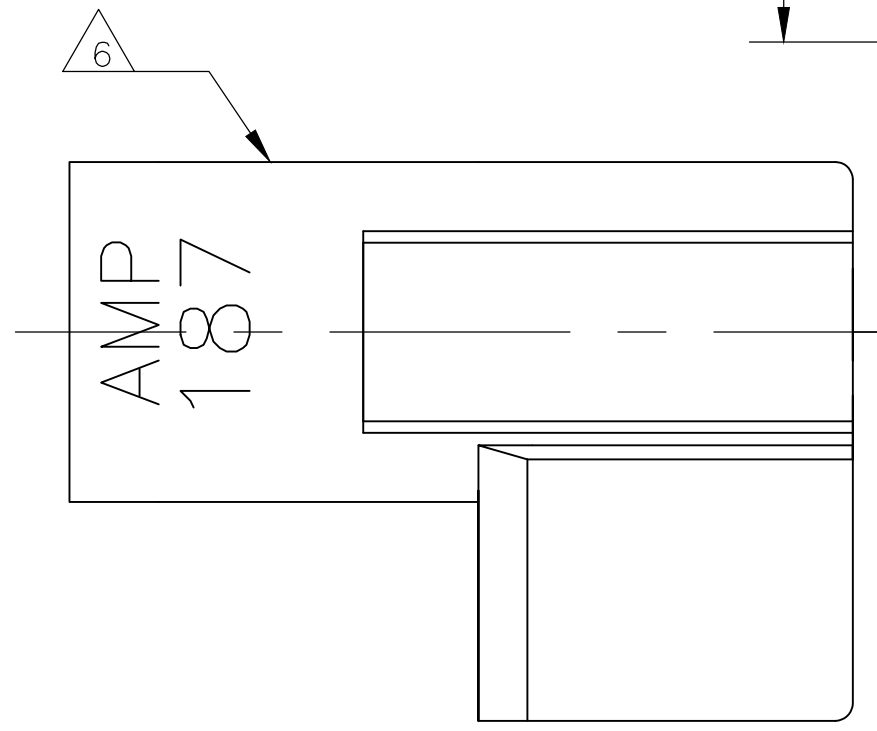
- 1 USE FLAG FASTON TERMINAL BASE
- 2 WIRE SIZE IS #22-#18 AWG
- 3 INSULATION RANGE IS .060-.110 DIA
- 4 MATERIAL;  
 TERMINAL: BRASS, FINISH: SEE TABLE  
 HOUSING: 6/6 NYLON, V2, NATURAL COLOR
- 5 FITS .187 X .020±.001 THK FASTON TAB
- 6 ALTERNATIVE HOUSING FORM
- 7 PREPRODUCTION - FASR REQ
- 8 OBSOLETE PART



SECTION X-X



SECTION Y-Y



8 .000040 MIN TIN PLATE	7 -521470-2
NO PLATING	7 521470-1
TERMINAL: FINISH	PART NO.

THIS DRAWING IS A CONTROLLED DOCUMENT.		DWN	JR RUTH	30JUL03
DIMENSIONS: INCHES		CHK	J HUMMEL	24JUL03
TOLERANCES UNLESS OTHERWISE SPECIFIED:		APVD	KRISTY YI	24JUL03
0 PLC	± -	PRODUCT SPEC	NAME	
1 PLC	± -	APPLICATION SPEC	ASSEMBLY, RECPT, FLAG, ULTRA-POD, .187 SERIES	
2 PLC	± -	WEIGHT	22-18 AWG	
3 PLC	± .010	SCALE	6:1	
4 PLC	± -	SHEET	1 of 1	
ANGLES	± -	REV	E1	
MATERIAL	FINISH	CUSTOMER DRAWING	RESTRICTED TO	
SEE NOTES	SEE NOTES	SIZE	A2	
		CAGE CODE	00779	
		DRAWING NO	C-521470	