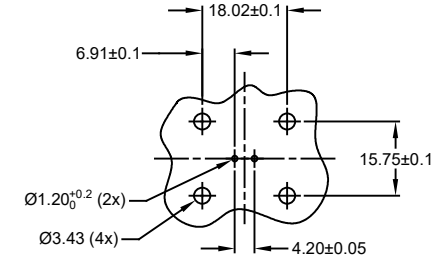
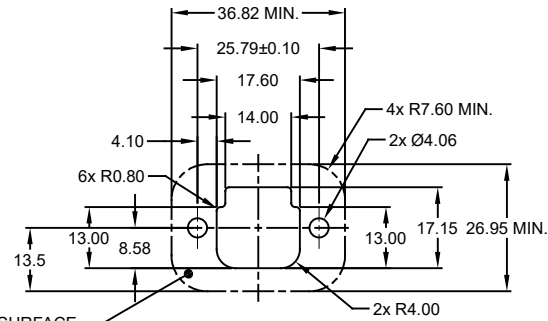
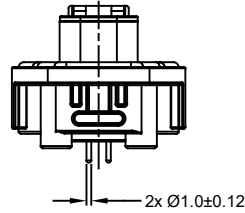
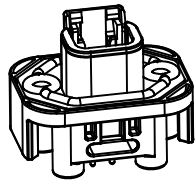
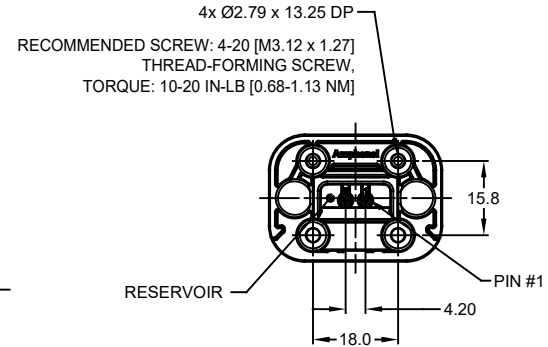
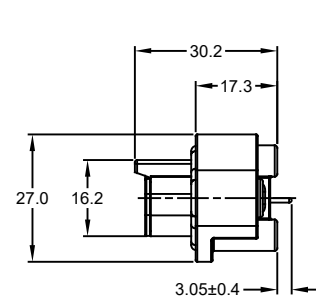
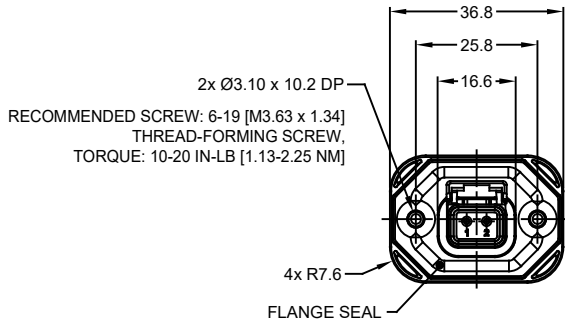


| REVISIONS |     |                     |         |        |       |
|-----------|-----|---------------------|---------|--------|-------|
| REV       | ECO | DESCRIPTION         | DATE    | BY     | APPR  |
| A1        | -   | RELEASE NEW DRAWING | 15JUN18 | SULLEN | TOMMY |
| A2        | -   | REVISED DRAWING     | 10JUL20 | JHEAD  | DH    |



RECOMMENDED PCB LAYOUT  
VIEW FROM COMPONENTS  
SIDE OF PCB

NOTES: UNLESS OTHERWISE SPECIFIED

- MATERIAL:  
HOUSING: THERMOPLASTIC, GREY  
SEAL: SILICONE RUBBER  
CONTACT: COPPER ALLOY
- MODIFICATIONS: FLANGE; STRAIGHT PCB MOUNT
- SPECIFICATIONS:  
3.1 CURRENT RATING: 7.5 AMPS  
3.2 OPERATING TEMPERATURE: -55°C TO +125°C  
3.3 DIELECTRIC WITHSTANDING VOLTAGE: LESS THAN 2 MILLIAMPS CURRENT LEAKAGE @ 1500 VOLTS AC  
3.4 INSULATION RESISTANCE: 1000 MEGOHMS MIN @ 25°C  
3.5 MOISTURE RESISTANCE: IP67 ( MATED CONDITION )  
3.6 MATING CYCLE DURABILITY: 100 CYCLES  
3.7 RoHS COMPLIANT
- MATING PART: ATM06-2S\* (\* = ALL MODIFICATIONS)
- ALL DIMENSIONS ARE FOR REFERENCE USE ONLY
- POTTED CONNECTORS SPECIFIED FOR UP TO 5 P.S.I. APPLICATIONS.

INTERNAL SEALING SURFACE  
FINISH TO BE  $\sqrt{32}$  OR BETTER [7/10.13]

RECOMMENDED PANEL  
CUTOUT

| ATM15-2P-BMXX VARIANTS |                             |               |
|------------------------|-----------------------------|---------------|
| CONTACT PLATING        | POTTING OR NOT IN RESERVOIR | PART NUMBER   |
| GOLD                   | NO POTTING                  | ATM15-2P-BM01 |
| GOLD                   | POTTING                     | ATM15-2P-BM02 |
| TIN                    | NO POTTING                  | ATM15-2P-BM03 |
| TIN                    | POTTING                     | ATM15-2P-BM04 |

| ATM15-2P-BMXX  |             |  |      |
|--|-------------|--|------|
| QUANTITY   | PART NUMBER | DESCRIPTION  | ITEM |
| MATERIALS LIST   |             |  |      |
| UNLESS OTHERWISE SPECIFIED<br>1) All dimensions are in metric (mm).<br>2) Tolerances are as follows:<br>1 PL DEC ±0.30   Fractions ±1/64<br>2 PL DEC ±0.15   Angles ±1°<br>3 PL DEC ±0.08<br>3) Note reference = |             | SIGNATURES DATE<br>DRAWN: SULLEN ZHANG 15JUN18<br>CHECKED: ORION LI 15JUN18<br>ENGINEER:<br>APPROVAL: TOMMY XIE 15JUN18  |      |
| MATERIAL SPECIFICATIONS:   |             | CUSTOMER:  |      |
| PROCESS SPECIFICATIONS:  |             | THIS DRAWING IS SUPPLIED FOR INFORMATION ONLY. DESIGN FEATURES, SPECIFICATIONS AND PERFORMANCE DATA SHOWN HEREON ARE THE PROPERTY OF THE AMPHENOL CORPORATION. NO RIGHTS OF REPRODUCTION ARE IMPLIED. ALL DIMENSIONS ARE SUBJECT TO NORMAL MANUFACTURING VARIATIONS. |      |
| NEXT ASSY:   |             | SCALE: NONE  |      |
|  |             | <br>Sine Systems - www.amphenol-sine.com<br>44724 Morley Drive<br>Clinton Township, MI 48036<br>BOARDLOCK PCB MOUNT RECEPTACLE,<br>2 PIN, STRAIGHT FLANGE, ATM SERIES<br>SIZE: B C- TYPE: ATM15-2P-BMXX DWG NO: A2 REVISION: A2<br>SHEET 1 OF 1                      |      |

TITLE: PCB MOUNT RECEPTACLE, 2PIN, STRAIGHT FLANGE, ATM SERIES  
DWG NO.: ATM15-2P-BMXX  
REV: A2  
SH: 1  
OF: 1