


CY8CMOD-064S0S2-4343W

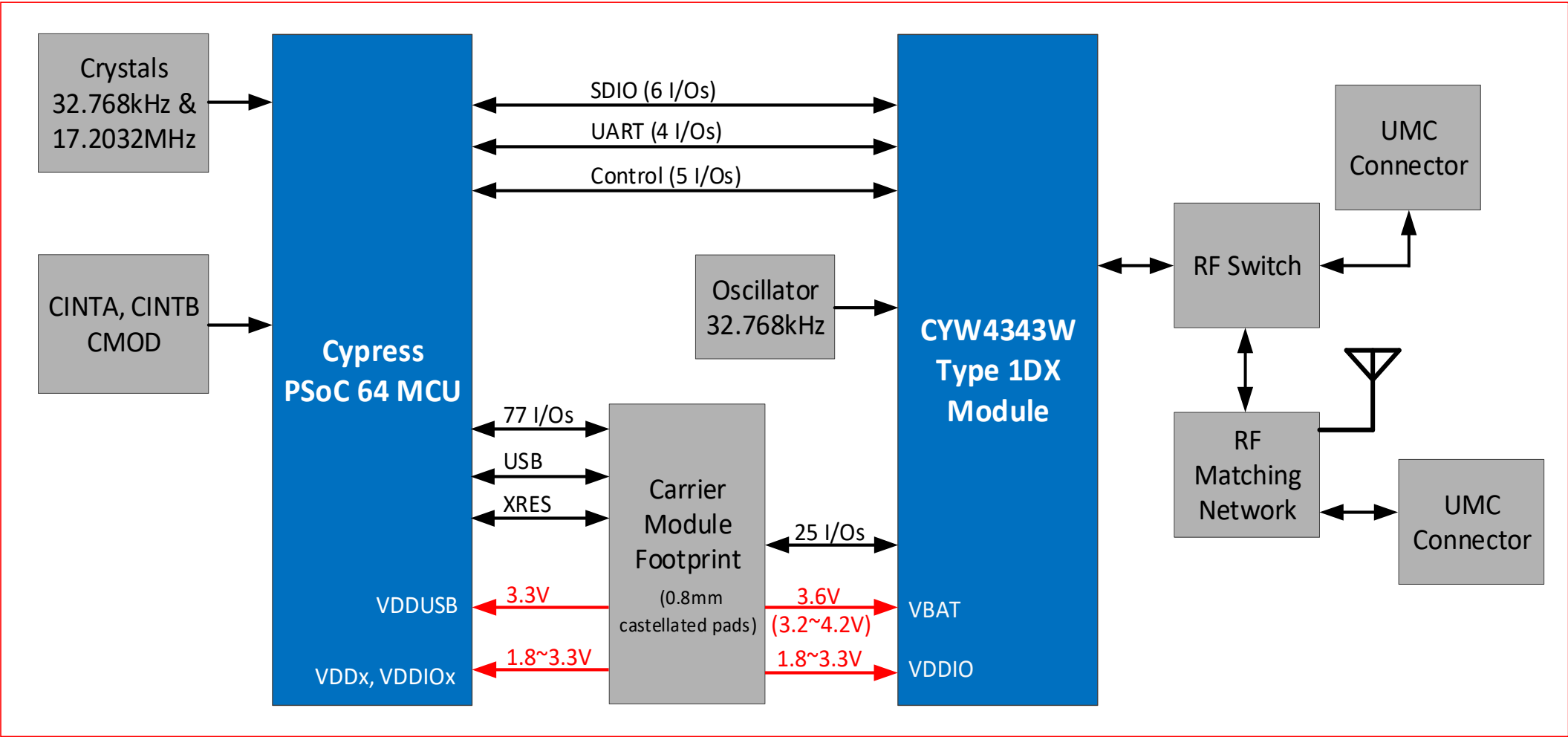
PSoC 64S0S2 with CYW4343W Carrier Module

CONTENTS	
PAGE	DESCRIPTION
01	Title, Table of Contents & Drawing Numbers
02	Block Diagram
03	PSoC 64 MCU Power
04	PSoC 64 MCU Signals
05	LBEE5KL1DX Module Power
06	LBEE5KL1DX Module Signals
07	Interface to BaseBoard
08	Revision History

Drawing Numbers	
PCBA	121-60581-01
PCB	600-60581-01
FAB DRW	610-60581-01
ASSY DRW	620-60581-01
SCH DRW	630-60581-01

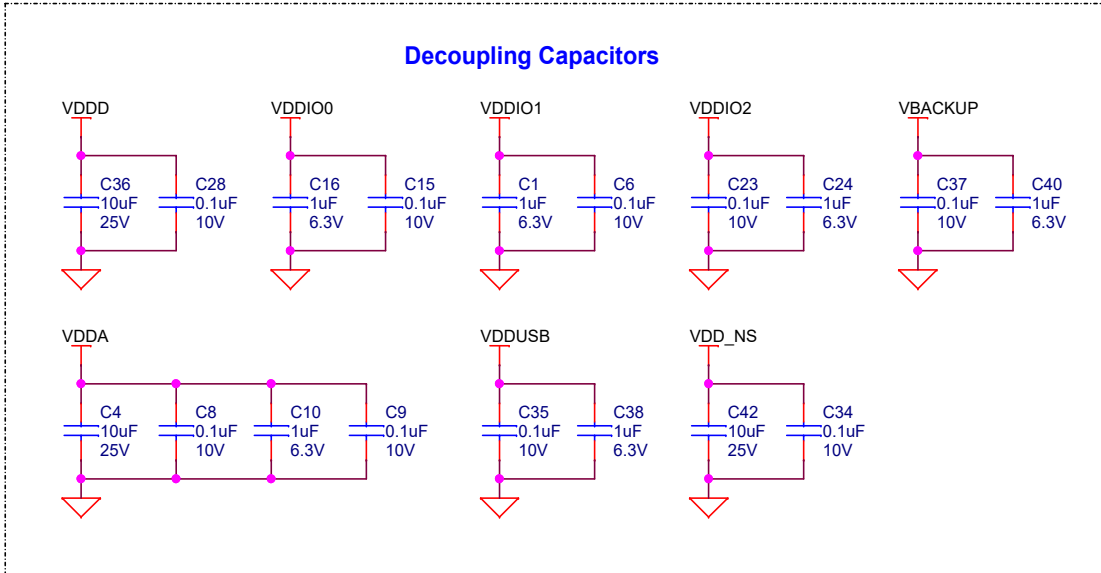
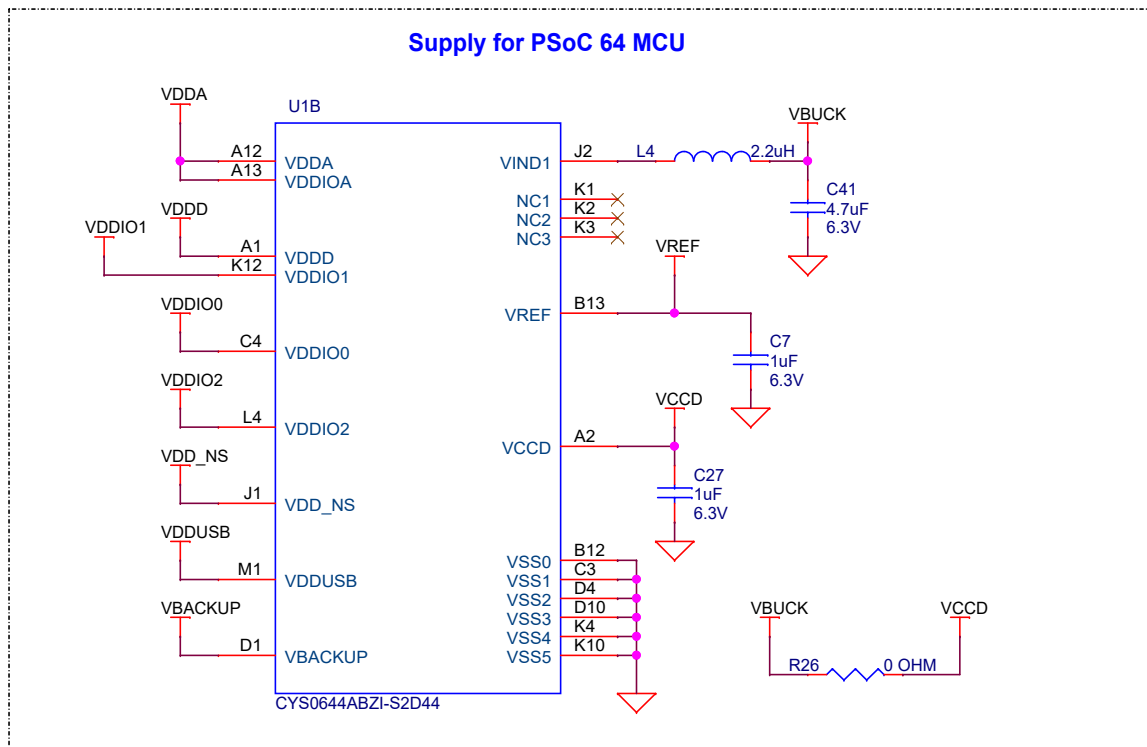
 CYPRESS <small>EMBEDDED IN TOMORROW™</small>		CYPRESS SEMICONDUCTOR 198 CHAMPION COURT SAN JOSE, CA 95134 (408) 943-2600		
CYPRESS SEMICONDUCTOR © 2020				
SCH Title : PSoC 64S0S2 with CYW4343W Carrier Module				
Page Title : Title Page				
Size A4	Document Number 630-60581-01	Drawn By AARA	Approved By RKAD	Rev 01
Date: Friday, November 20, 2020			Sheet	1 of 8


Block Diagram



CYPRESS SEMICONDUCTOR
 198 CHAMPION COURT
 SAN JOSE, CA 95134
 (408) 943-2600

CYPRESS SEMICONDUCTOR © 2020				
SCH Title : PSoC 64S0S2 with CYW4343W Carrier Module				
Page Title : Block Diagram				
Size A4	Document Number 630-60581-01	Drawn By AARA	Approved By RKAD	Rev 01
Date:	Friday, November 20, 2020		Sheet	2 of 8





CYPRESS SEMICONDUCTOR
 198 CHAMPION COURT
 SAN JOSE, CA 95134
 (408) 943-2600

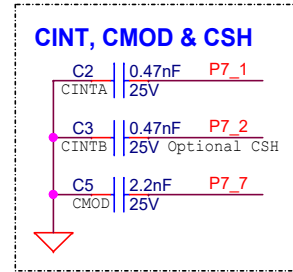
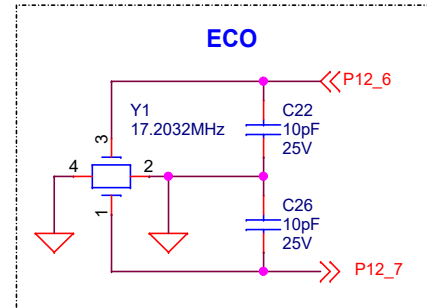
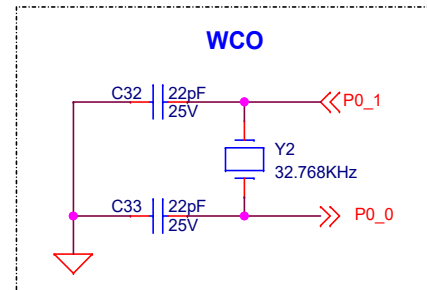
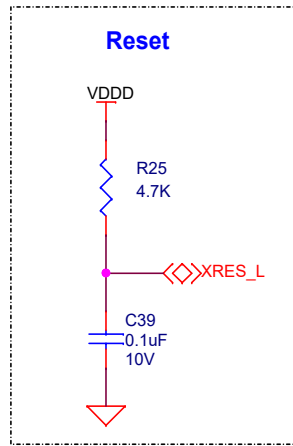
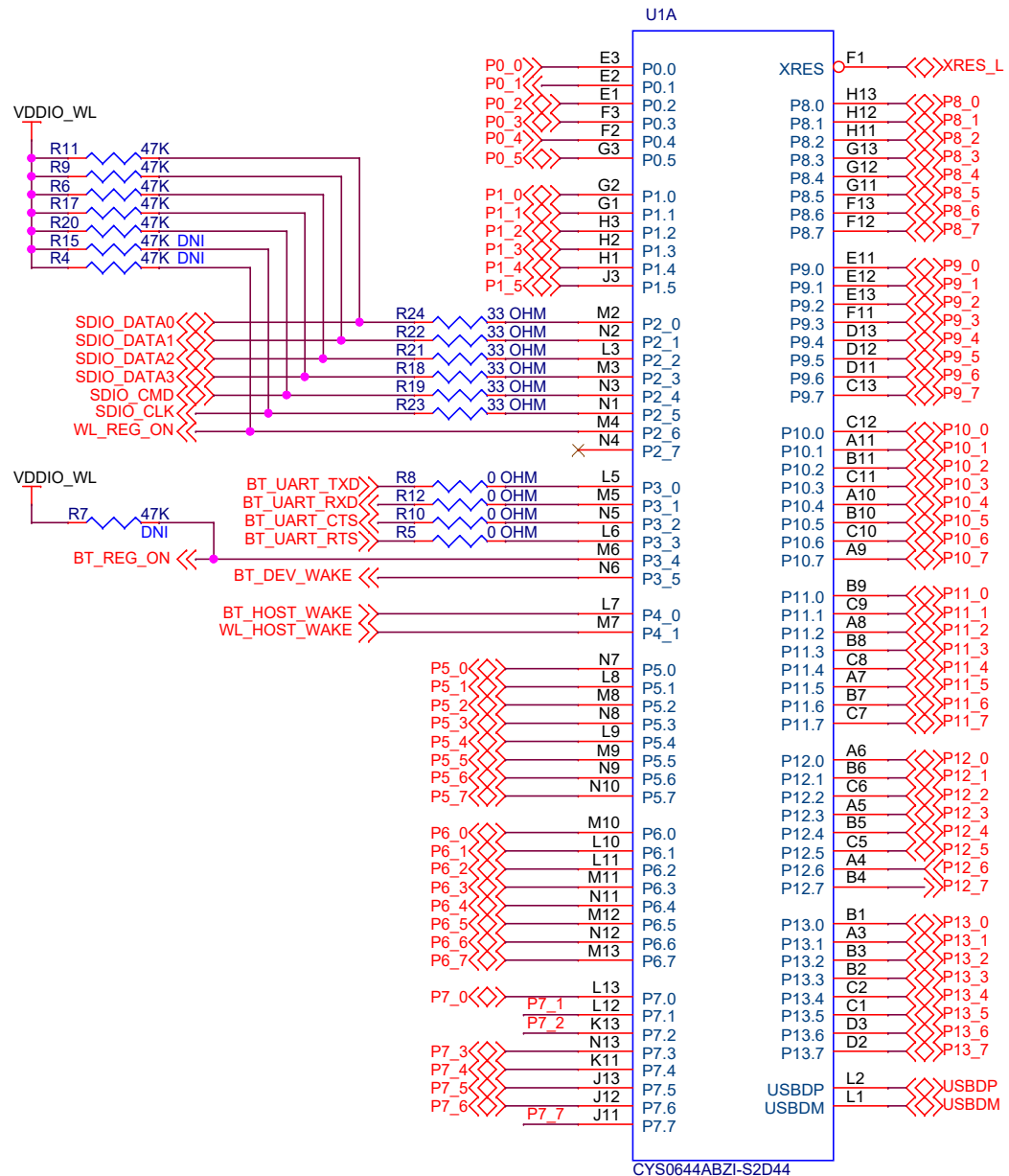
CYPRESS SEMICONDUCTOR © 2020

SCH Title : PSoC 64S0S2 with CYW4343W Carrier Module

Page Title : PSoC 64 MCU Power

Size A4	Document Number 630-60581-01	Drawn By AARA	Approved By RKAD	Rev 01
Date: Friday, November 20, 2020		Sheet 3 of 8		

PSoC 64 MCU Signals



CYPRESS
EMBEDDED IN TOMORROW™

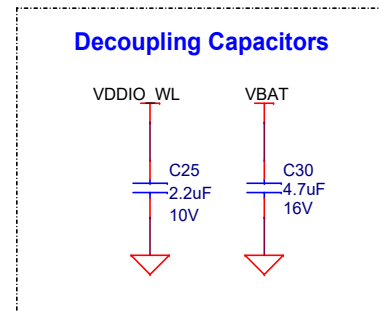
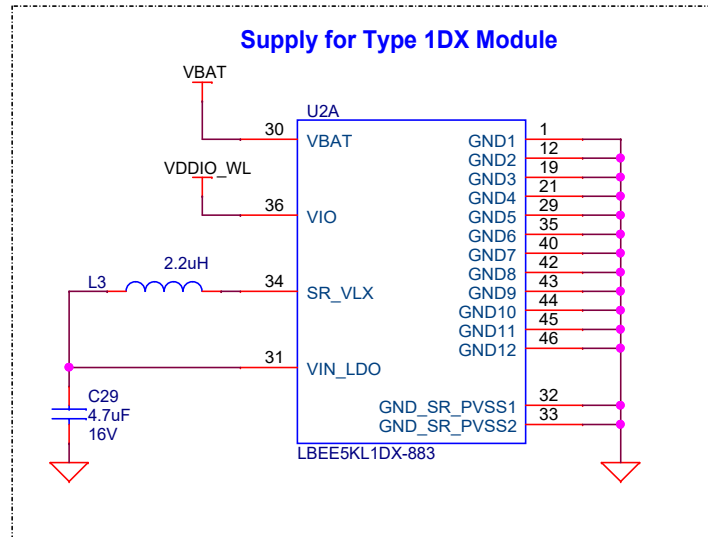
CYPRESS SEMICONDUCTOR
198 CHAMPION COURT
SAN JOSE, CA 95134
(408) 943-2600

CYPRESS SEMICONDUCTOR © 2020

SCH Title : PSoC 64S0S2 with CYW4343W Carrier Module

Page Title : PSoC 64 MCU Signals

Size A4	Document Number 630-60581-01	Drawn By AARA	Approved By RKAD	Rev 01
------------	--	-------------------------	----------------------------	------------------



CYPRESS
EMBEDDED IN TOMORROW™

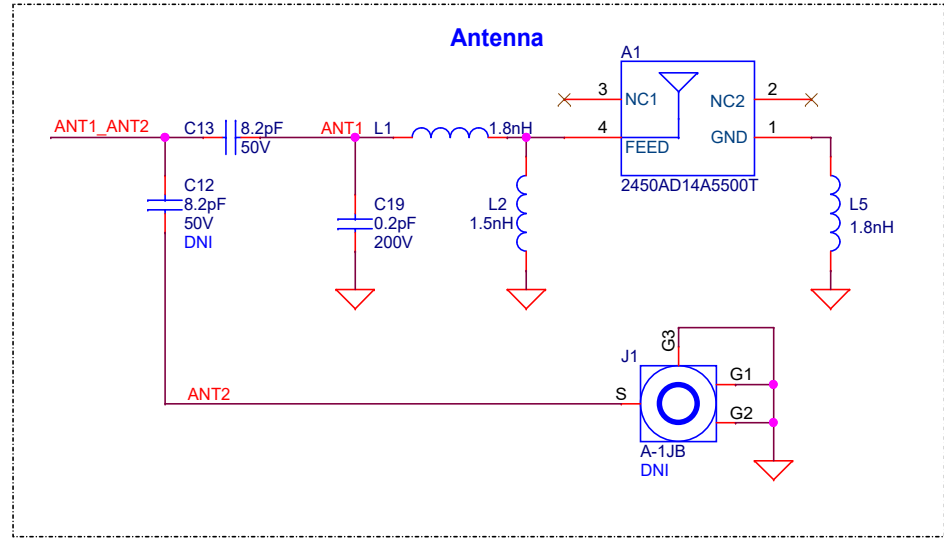
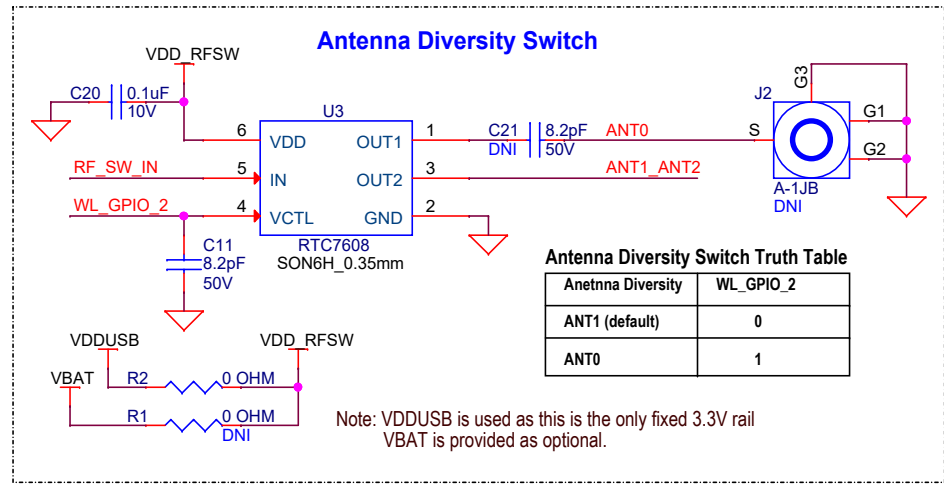
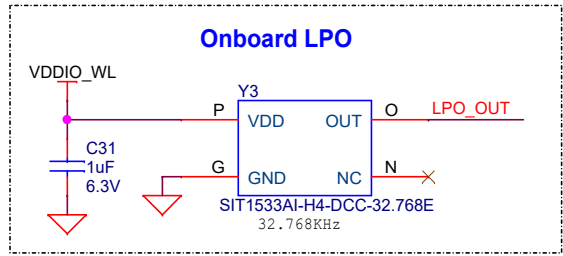
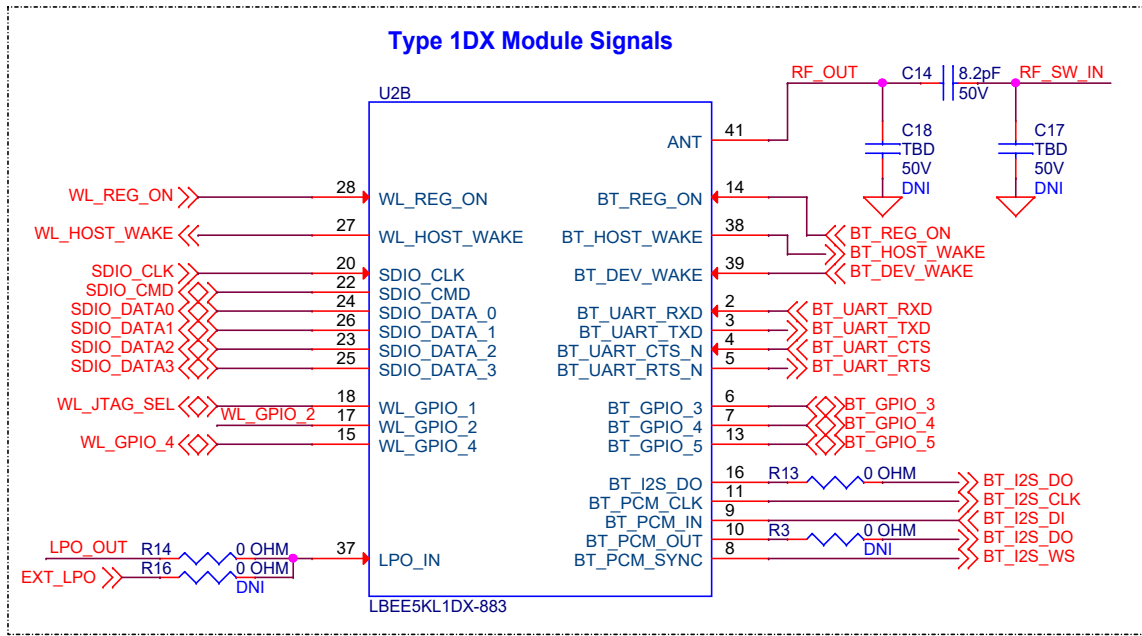
CYPRESS SEMICONDUCTOR
198 CHAMPION COURT
SAN JOSE, CA 95134
(408) 943-2600


CYPRESS SEMICONDUCTOR © 2020

SCH Title : PSoC 64S0S2 with CYW4343W Carrier Module

Page Title : LBEE5KL1DX Module Power

Size A4	Document Number 630-60581-01	Drawn By AARA	Approved By RKAD	Rev 01
Date:	Friday, November 20, 2020		Sheet	5 of 8





CYPRESS SEMICONDUCTOR
198 CHAMPION COURT
SAN JOSE, CA 95134
(408) 943-2600

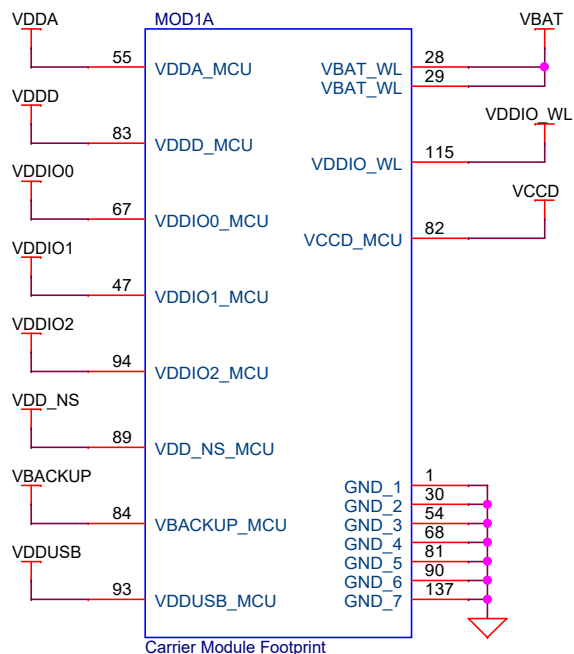
CYPRESS SEMICONDUCTOR © 2020

SCH Title : PSoC 64S0S2 with CYW4343W Carrier Module

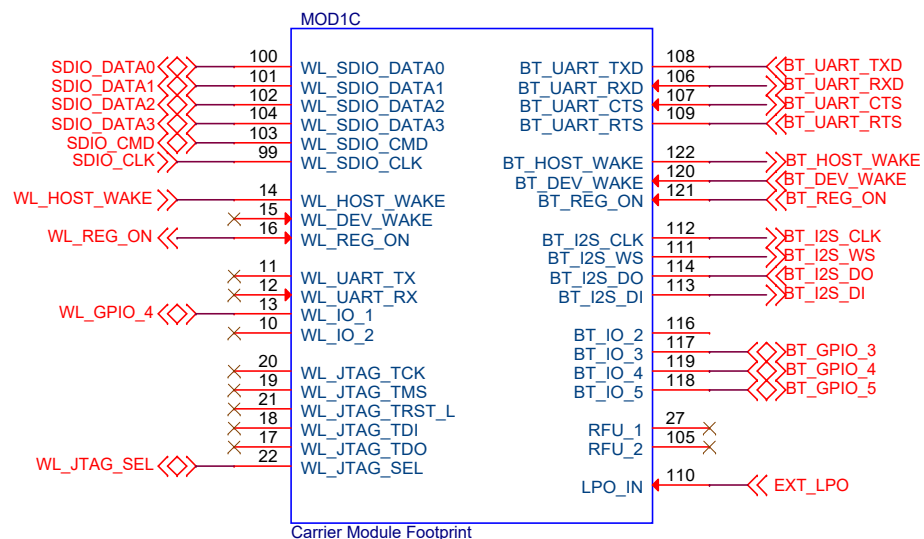
Page Title : LBEE5KL1DX Module Signals

Size A4	Document Number 630-60581-01	Drawn By AARA	Approved By RKAD	Rev 01
Date:	Friday, November 20, 2020		Sheet	6 of 8

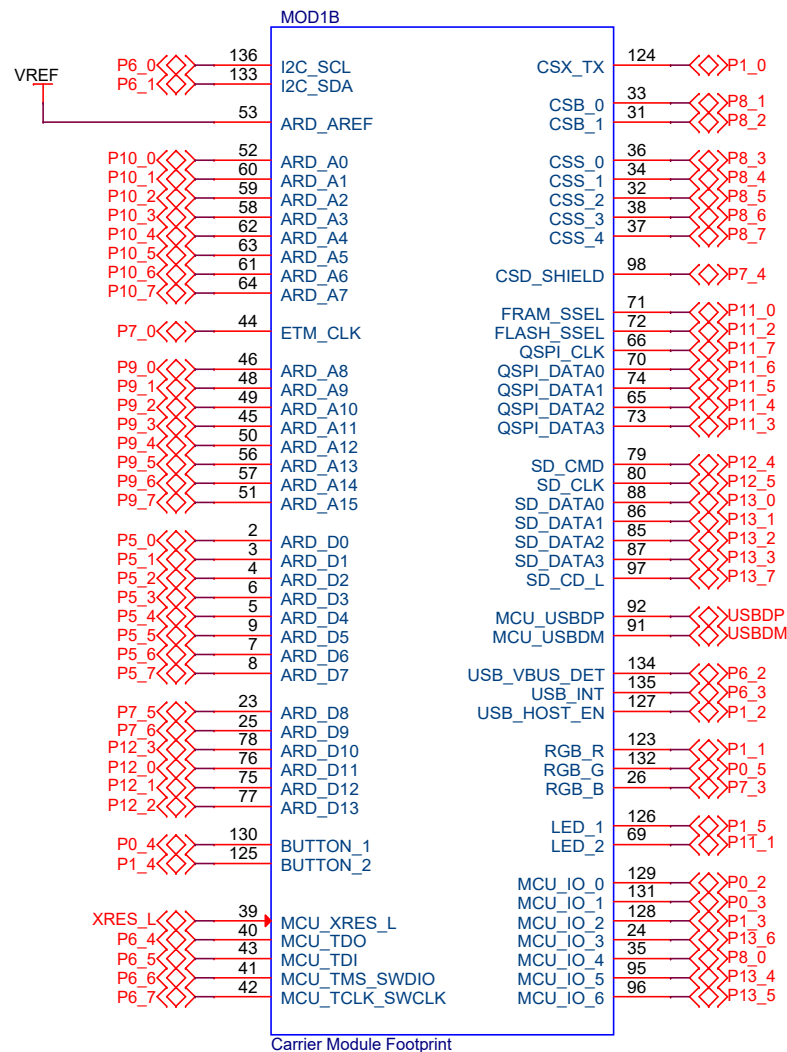
Carrier Module Footprint



Carrier Module Footprint



Carrier Module Footprint



Carrier Module Footprint



CYPRESS
EMBEDDED IN TOMORROW™

CYPRESS SEMICONDUCTOR
198 CHAMPION COURT
SAN JOSE, CA 95134
(408) 943-2600

CYPRESS SEMICONDUCTOR © 2020


SCH Title : PSoC 64S0S2 with CYW4343W Carrier Module

Page Title : Interface to BaseBoard

Size A4	Document Number 630-60581-01	Drawn By AARA	Approved By RKAD	Rev 01
Date:	Friday, November 20, 2020		Sheet	7 of 8

REVISION HISTORY

REV	DESCRIPTION OF CHANGE	Orig. of Change	DATE
01	Initial Release	AARA	2020/11/20



CYPRESS
EMBEDDED IN TOMORROW™

CYPRESS SEMICONDUCTOR
198 CHAMPION COURT
SAN JOSE, CA 95134
(408) 943-2600

CYPRESS SEMICONDUCTOR © 2020

SCH Title : PSoC 64S0S2 with CYW4343W Carrier Module

Page Title : Revision History

Size A4	Document Number 630-60581-01	Drawn By AARA	Approved By RKAD	Rev 01
------------	--	-------------------------	----------------------------	------------------

Date: Friday, November 20, 2020 Sheet **8** of **8**