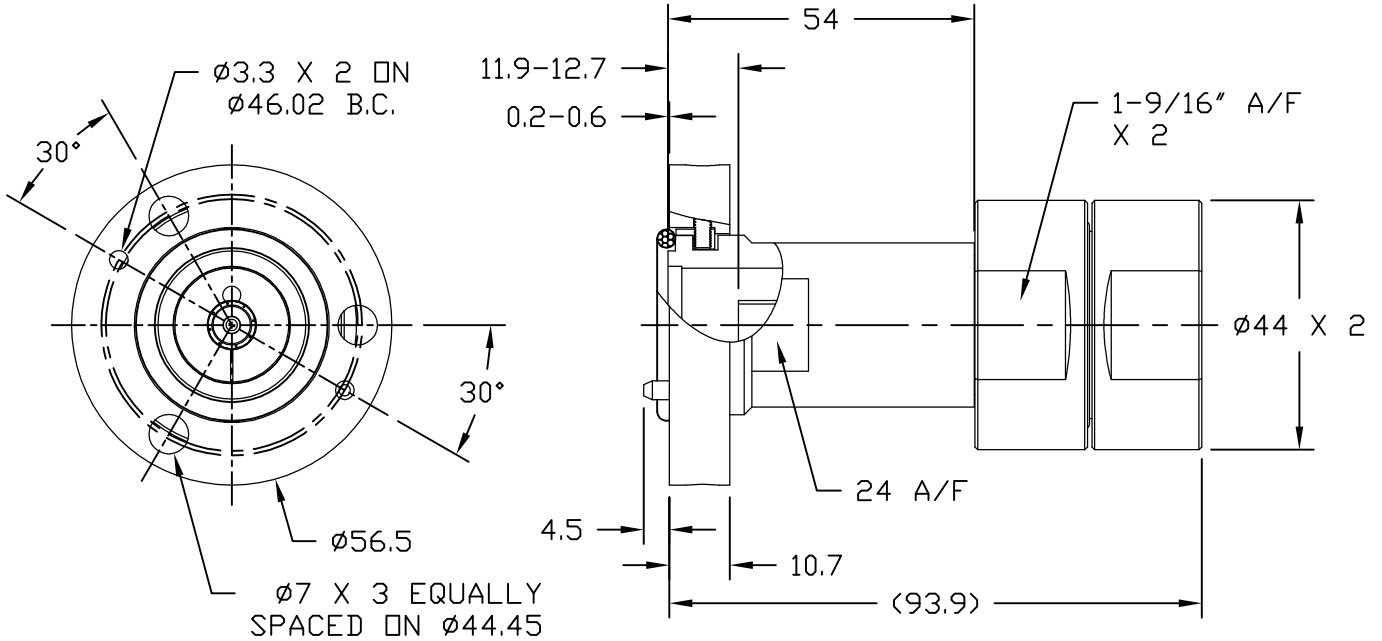
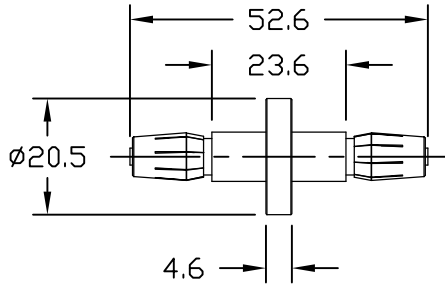


NOTICE OF PROPRIETARY RIGHTS THIS DOCUMENT CONTAINS CONFIDENTIAL TECHNICAL DATA, INCLUDING TRADE SECRETS, PROPRIETARY TO TIMES MICROWAVE SYSTEMS. DISCLOSURE OF THIS DATA IS EXPRESSLY CONDITIONED UPON YOUR ASSENT THAT ITS USE IS LIMITED TO USE WITHIN YOUR COMPANY ONLY. ANY OTHER USE IS STRICTLY PROHIBITED WITHOUT THE PRIOR WRITTEN CONSENT OF TIMES MICROWAVE SYSTEMS.

SYM	REVISION DESCRIPTION	DFTM	DATE	APPD	DATE
A	RELEASED FOR PRODUCTION	D. J. H.	7/27/12	J. D. B.	9/28/12



I. Electric Performance
 Nominal Impedance(Ω): 50
 Frequency Range: DC-0.5GHz
 VSWR: ≤ 1.15
 Insert Loss: ≤ 0.05
 Insulation resistance(M Ω): > 10000
 Proof voltage(V): 4000
 Average Power(KW): 1.2(1G)
 Conductor resistance(m Ω): 0.82(2G)
 outer conductor < 0.5
 inner conductor < 0.8

II. Mechanical Performance
 Retention: $\geq 10N$
 Mechanical wear(hypo-): 500

III. Material and plating

Component	Material	Plating
Inner conductor	Brass	Ag 5 μm
Outer conductor	Brass	Copper-tin-zinc 2 μm
Spring Finger Contact	BeCu	Copper-tin-zinc 2 μm
Gasket	Silicone Rubber	
Insulator	PTFE	

IV. Environment
 Temp.range: $-55^{\circ}C \sim +155^{\circ}C$
 Weather standard: IEC 60068 55 / 155/ 56
 Thermal shock: US MIL-STD 202, Meth.107, Cond.B
 Vibration: US MIL-STD 202, Meth.204, Cond.B
 Shock: US MIL-STD 202, Meth.213, Cond.I
 Waterproofing standard: IP67
 ROHS Compliant

V. Assembly: inner and outer conductor installed

MATERIAL:	UNLESS OTHERWISE SPECIFIED ALL DIMENSIONS ARE IN mm MACHINED SURFACES FINISH N/A RMS MAX. REMOVE ALL BURRS N/A MAX. BREAK MACHINE CORNERS N/A MAX. FILLET R. TOLERANCES ON DECIMALS .XX \pm N/A .XXX \pm N/A ANGLES \pm N/A FRACTIONS \pm N/A	DFTM. D. J. H.	TIMES MICROWAVE SYSTEMS
		DATE 7/27/12	
USED ON: 0-2		CHKD. J. D. B.	EZ-1200-78EIA-2 7/8" EIA FLANGE FOR LMR-1200 CABLE
		DATE 9/28/12	
SCALE: N/A	DWG. SIZE A	APPD. J. D. B.	SHEET 1 of 1
		DATE 9/28/12	
DO NOT SCALE DRAWING	CODE IDENT 68999	DATE 9/28/12	REV. A