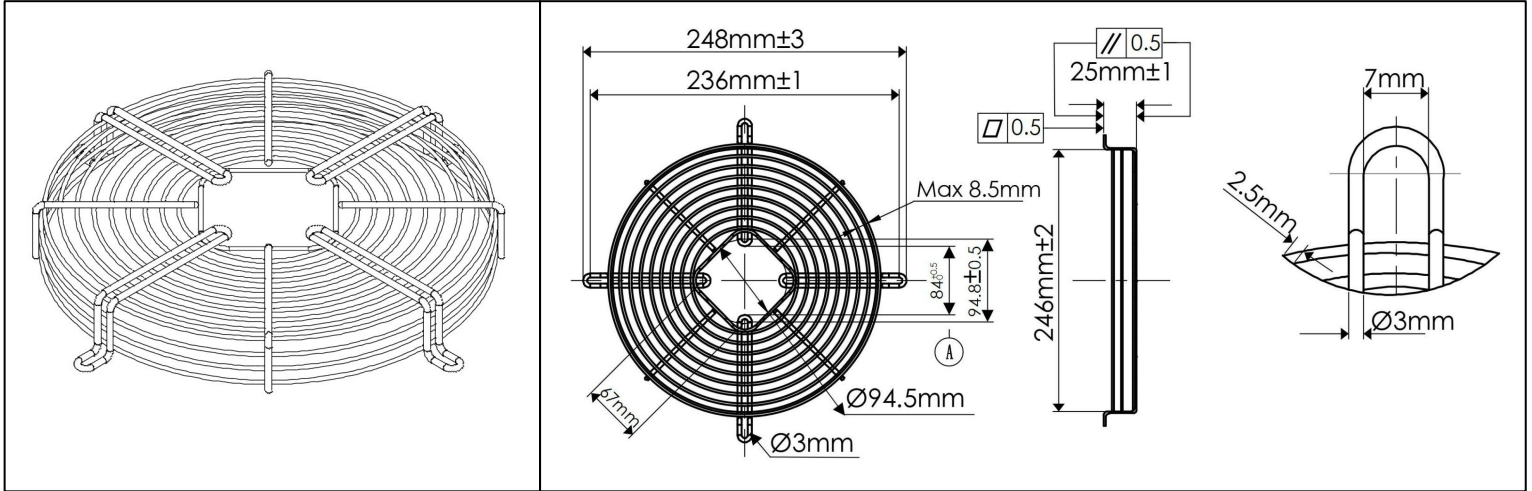


# G200-25



## Impeller Grille for OAM Open Frame Motor Series



Material	Steel, Black Finish
Mount Hole Spacing	216~236mm
Height	25mm±1
Max Fastener Diameter	7mm
Grid Wire Spacing	≤ 8.5mm