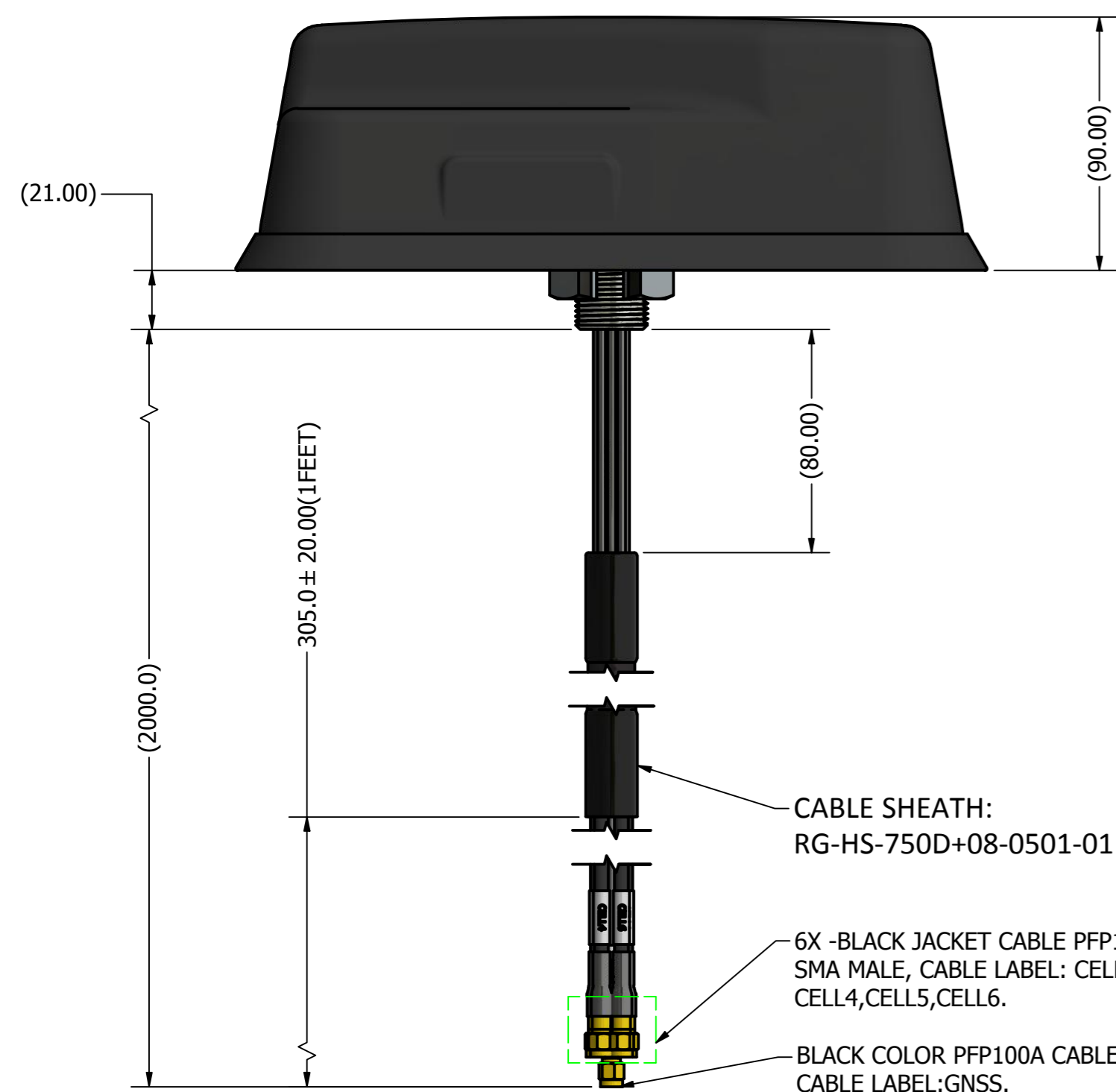
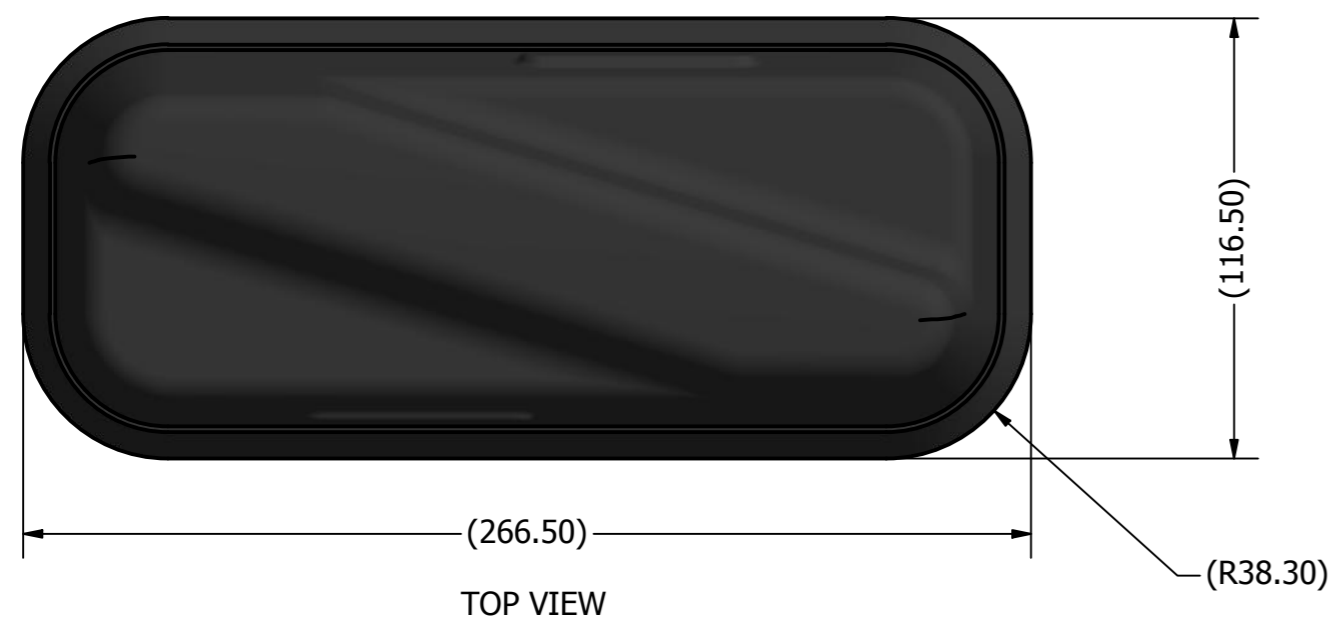


REVISION HISTORY			
REV	DESCRIPTION	DATE	APPROVED
1	MULTIBAND ANTENNA	2021/2/3	RG
2	UPDATED FOR PRODUCTION	2021/4/27	RG

NOTES: UNLESS OTHERWISE SPECIFIED

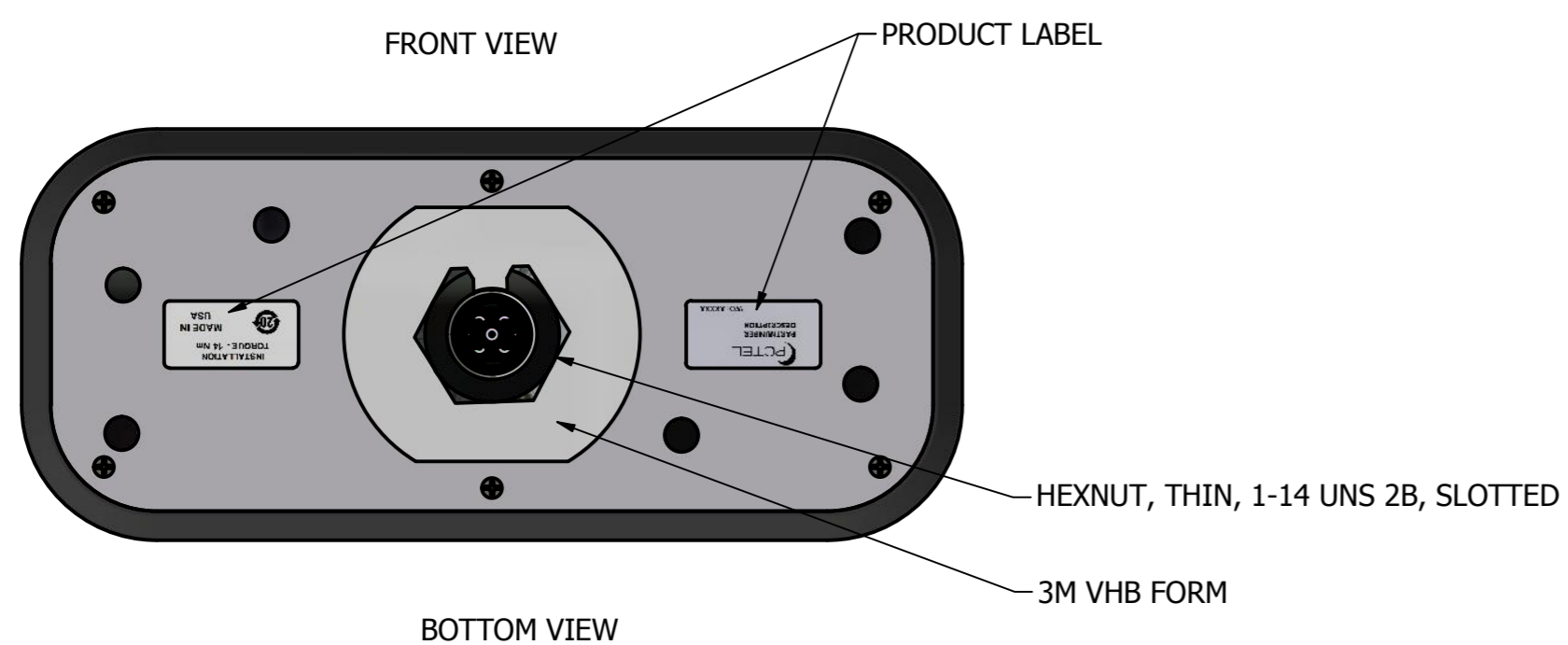
1. INTERPRET DRAWING PER ANSI/ASME Y14.5
2. PARTS SHALL BE CLEAN AND FREE OF FOREIGN MATTER.
3. ALL MATERIALS SHALL BE ROHS COMPLIANT.
4. PARTS SHALL BE PACKAGED TO PREVENT DAMAGE IN SHIPMENT AND HANDLING.
5. A (REF) DIMENSION IS FOR INFORMATION PURPOSES ONLY AND NO TOLERANCE IS IMPLIED.
6. SUPPLIER SHALL REVIEW AND COMPLETE AND SIGN SUPPLIER INPUT/ PRINT ACCEPTANCE BLOCK.
7. **ANTENNA SPECIFICATIONS:**
7.1 7.1 REFER TO ELECTRICAL TEST PLAN.



CABLE SHEATH:
RG-HS-750D+08-0501-01

6X -BLACK JACKET CABLE PFP100A TO PFP195 SPLICE
SMA MALE, CABLE LABEL: CELL1,CELL2,CELL3,
CELL4,CELL5,CELL6.

BLACK COLOR PFP100A CABLE WITH SMA MALE,
CABLE LABEL:GNSS.



HEXNUT, THIN, 1-14 UNS 2B, SLOTTED

3M VHB FORM

UNLESS OTHERWISE SPECIFIED DIMENSIONS ARE IN MILLIMETERS FOR TOLERANCES NOT SPECIFIED USE: [X mm ± 3 mm], [X.X mm ± .3 mm], [X.XX mm ± .13 mm] ANGULAR ± 1°	PART WEIGHT:	DRAWN	DATE	 PCTEL, INC. ANTENNA PRODUCTS 471 BRIGHTON DRIVE BLOOMINGDALE, IL 60108 PH: 630-372-6800 FAX: 630-372-8077
	N/A	RG	2020/7/17	
THIRD ANGLE PROJECTION 	MATERIAL:		DATE	DESCRIPTION 7-in-1 Multiband Antenna
	SEE COMPONENT.		2020/7/17	
PROPRIETARY DATA THE INFORMATION CONTAINED IN THIS DOCUMENT IS OF A PROPRIETARY NATURE AND MAY NOT BE USED OR REPRODUCED WITHOUT THE EXPRESS WRITTEN PERMISSION OF PCTEL INC., BLOOMINGDALE, IL 60108	FINISH:		DRAWING NO.	SIZE A2 SCALE 1/2 SHEET 1 OF 1
	SEE COMPONENT.		ODD_GL5G-7X1-TRB	