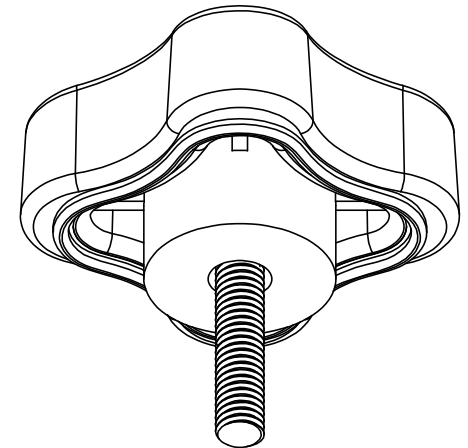
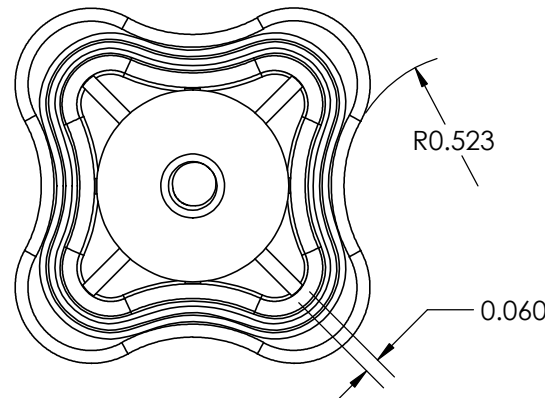


SECTION D-D  
SCALE 2 : 1.5



FOR CUSTOMER APPROVAL ONLY		REV	BY	DATE	COMMENT	DIMENSIONS ARE IN INCHES TOLERANCES FRACTIONAL ± TWO PLACE DECIMAL ± 0.03 THREE PLACE DECIMAL ± 0.010 UNLESS OTHERWISE NOTED	DRAWN	VRR	INNOVATIVE COMPONENTS
NAME:	0	JRR	02/26/19	RELEASE DATE		APPROVED	LQR	PART NAME	
TITLE:						COMMENTS	DATE	02/28/2019	1.72" Soft Touch 4-Lobe, 10-32 x 0.75" Steel stud Trivalent Zinc & Clear, RoHS Compliant
DATE:	<b>PROPRIETARY AND CONFIDENTIAL</b> THE INFORMATION CONTAINED IN THIS DRAWING IS THE SOLE PROPERTY OF INNOVATIVE COMPONENTS. ANY REPRODUCTION IN PART OR AS A WHOLE WITHOUT THE WRITTEN PERMISSION OF INNOVATIVE COMPONENTS IS PROHIBITED.					RoHS Compliant			
SIGNATURE:						KNOB MATERIAL: Polypropylene,Black	KNOB FINISH: Texture	INNER PART NUMBER: KN0207504S2I-21	
				SCALE 1:1	SHEET 1 OF 1				

