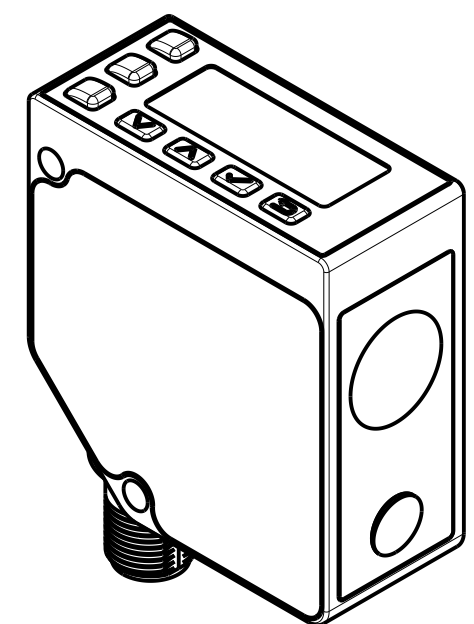
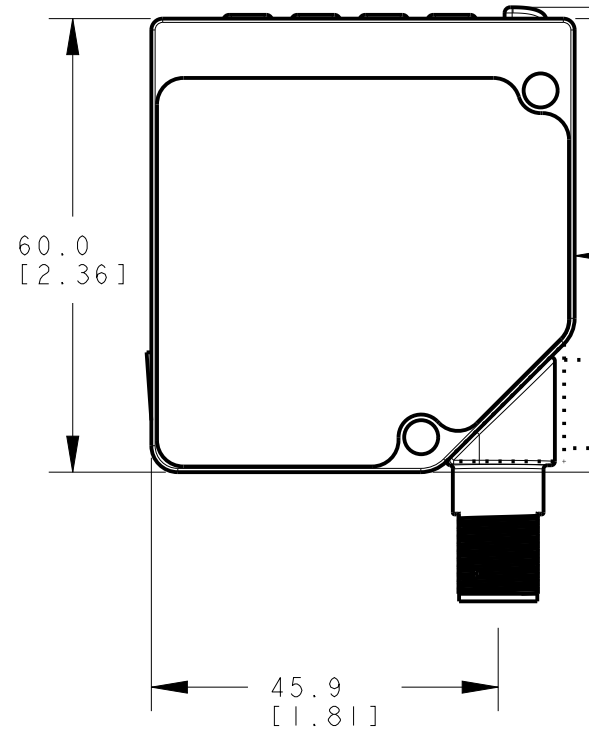
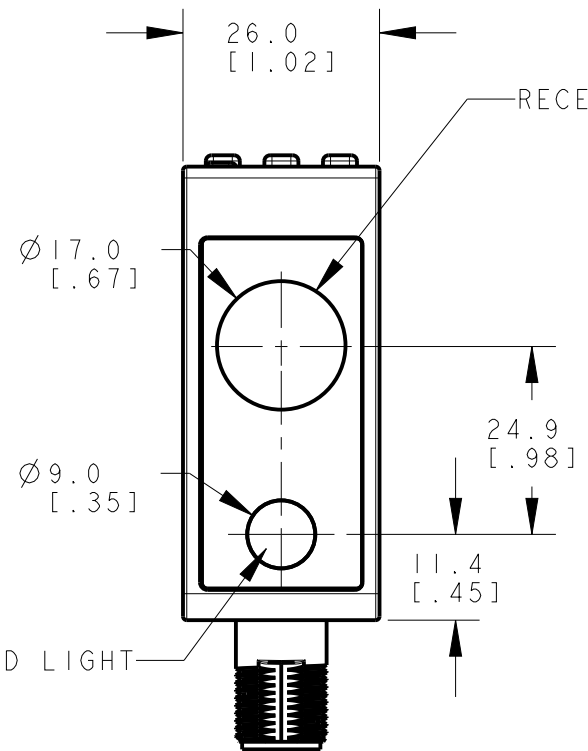
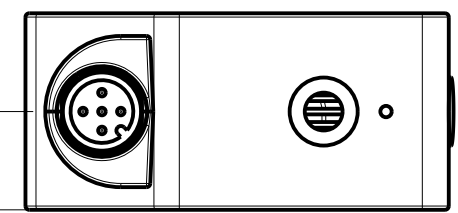
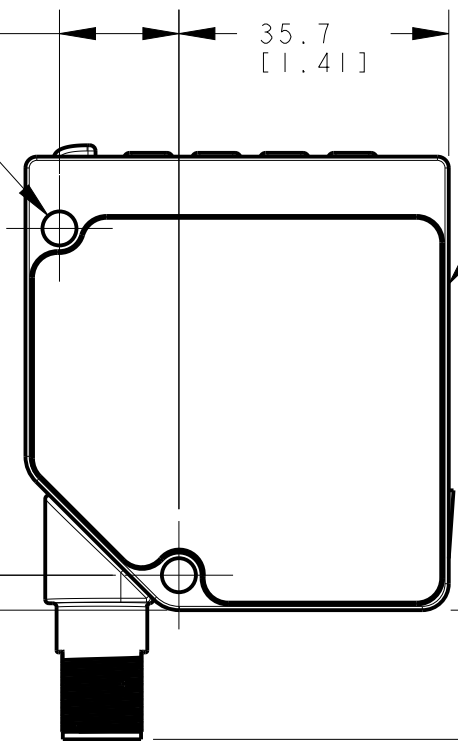
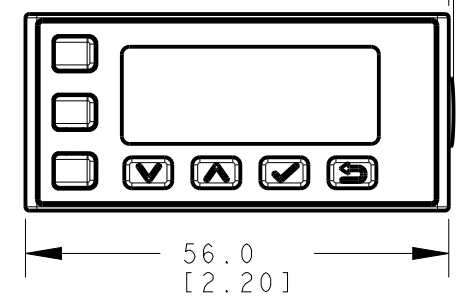


THIS DOCUMENT IS A MECHANICAL REFERENCE FOR ALL LE550 AND LE250 QD MODELS.



ISOMETRIC VIEW  
SCALE 1:1



1.5  
[.06]

QD ORIENTS TO BOTH POSITIONS SHOWN  
M12 THREAD

2X Ø4.5  
[.18]  
CLEARANCE FOR  
M4 SCREWS

MEASUREMENT  
RANGE  
REFERENCE

RECEIVED LIGHT

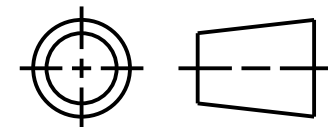
EMITTED LIGHT

This drawing is the property of BANNER ENGINEERING CORP. Any use or reproduction, in any form, without prior written permission of Banner is prohibited. © 2015 Banner Engineering Corp.



BANNER ENGINEERING CORP.  
www.bannerengineering.com

THIRD ANGLE PROJECTION



TITLE

L-GAGE LE SERIES OD

SIZE B	DRAWING NO. 175733	REV. D
-----------	-----------------------	-----------

SCALE 1:1	SHEET 1 OF 1
--------------	-----------------

NOTES:  
1. ALL DIMENSIONS ARE MILLIMETERS [INCHES] UNLESS OTHERWISE NOTED.  
2. REFER TO "www.bannerengineering.com" FOR ADDITIONAL DATA AND SPECIFICATIONS.

CREO