

Sensitivity Wavelength Range: 600nm ~ 1750nm

The 1346 series from Marktech, a high sensitivity and high reliability product series, is ideally suited for Optical Communication devices. Custom packaging options for this die are also available.

FEATURES

- > High Speed Response
- > TO-39 Metal Can Package
- > Active Area of 3.0mm / High Sensitivity
- > Spectral Range 600nm -- 1750nm

APPLICATIONS

- > High Speed Optical Communications
- > Optical LAN
- > Optical Switches
- > Ethernet Fiber Channel



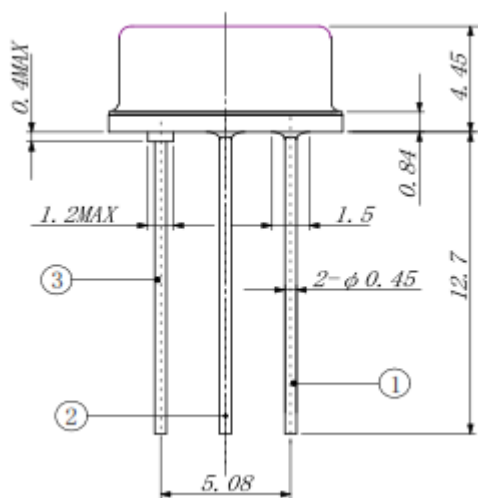
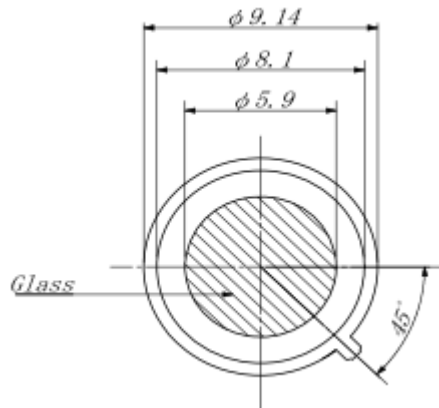
Absolute Maximum Ratings (Ta=25°C)

| ITEMS | SYMBOL | RATINGS | UNIT |
|-----------------------------|--------|-------------|------|
| Active Area | Φ | 3.0 | mm |
| Operating Temperature Range | Topr | -40 to +85 | °C |
| Storage Temperature Range | Tstg | -40 to +125 | °C |

Electrical & Optical Characteristics (Ta = 25°C)

| ITEMS | SYMBOL | CONDITIONS | MIN | TYP | MAX | UNIT |
|--------------------|--------|-------------|-----|-------|------|------|
| Breakdown Voltage | VR | IR=10uA | 5 | -- | -- | V |
| Sensitivity Range | λ | VR=0V | 600 | -- | 1750 | nm |
| Dark Current | ID | VR=1V | -- | 265 | -- | uA |
| Capacitance | C | VR=1V; *2 | -- | -- | 2090 | pF |
| Responsivity | R | λ=1.6um | -- | 0.50 | -- | A/W |
| Shunt Resistance | RS | VR=10mV | -- | 0.360 | -- | kOhm |
| Quantum Efficiency | QE | λ=1.6um | -- | 0.40 | -- | % |
| Light Current | IL | λ=1.6um; *1 | -- | 35.4 | -- | μA |
| Rise and Fall Time | Tr,Tf | | -- | 102 | -- | ns |
| Bandwidth | BW | | -- | 4.3 | -- | MHz |

*1: Ee=1mW/cm² *2: f=100kHz/1kHz



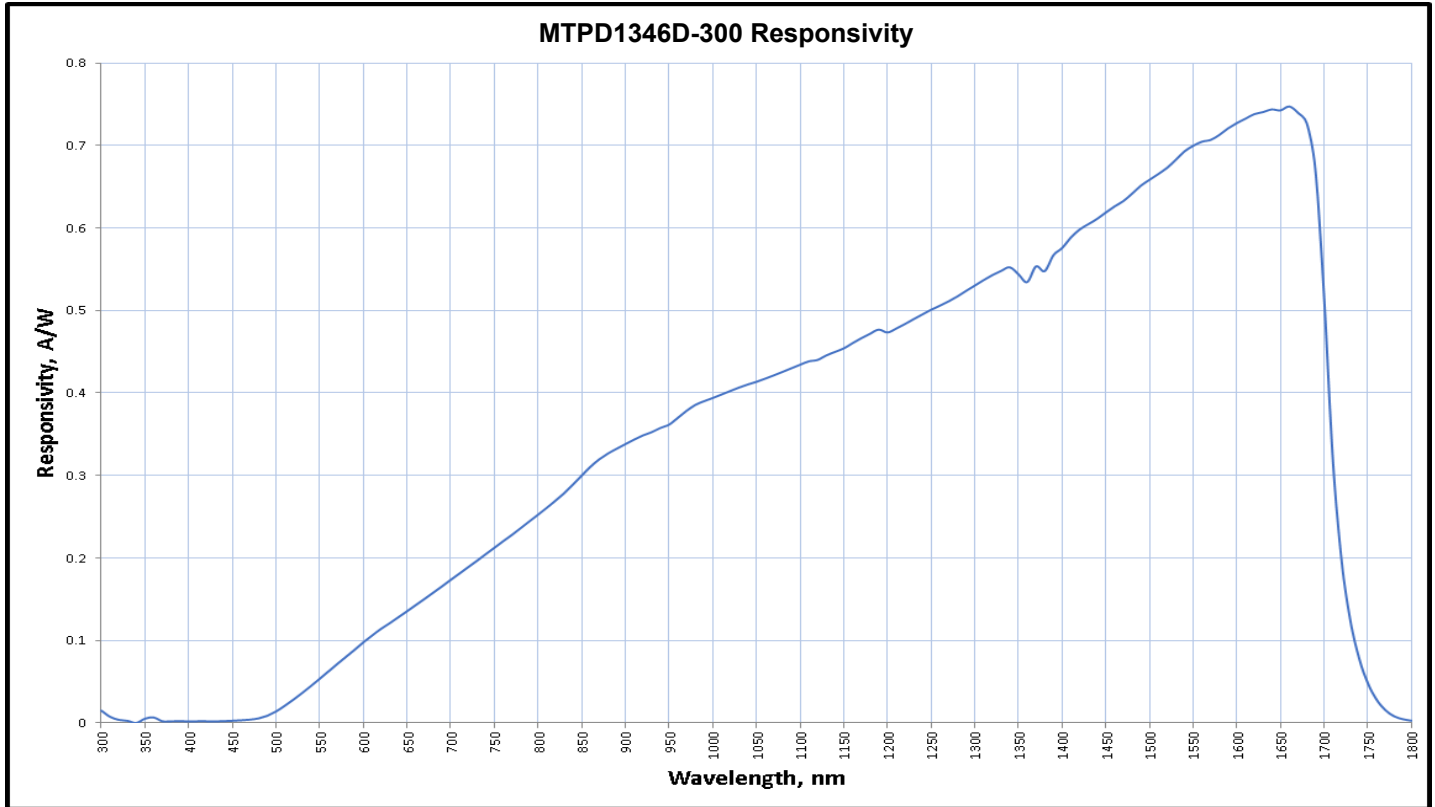
①Cathode ②Anode ③Case

Unit: mm, Tolerance: ± 0.2

The information contained herein is subject to change without notice.

2019-02-14

Spectral Response Graph



The information contained herein is subject to change without notice.

2019-02-14