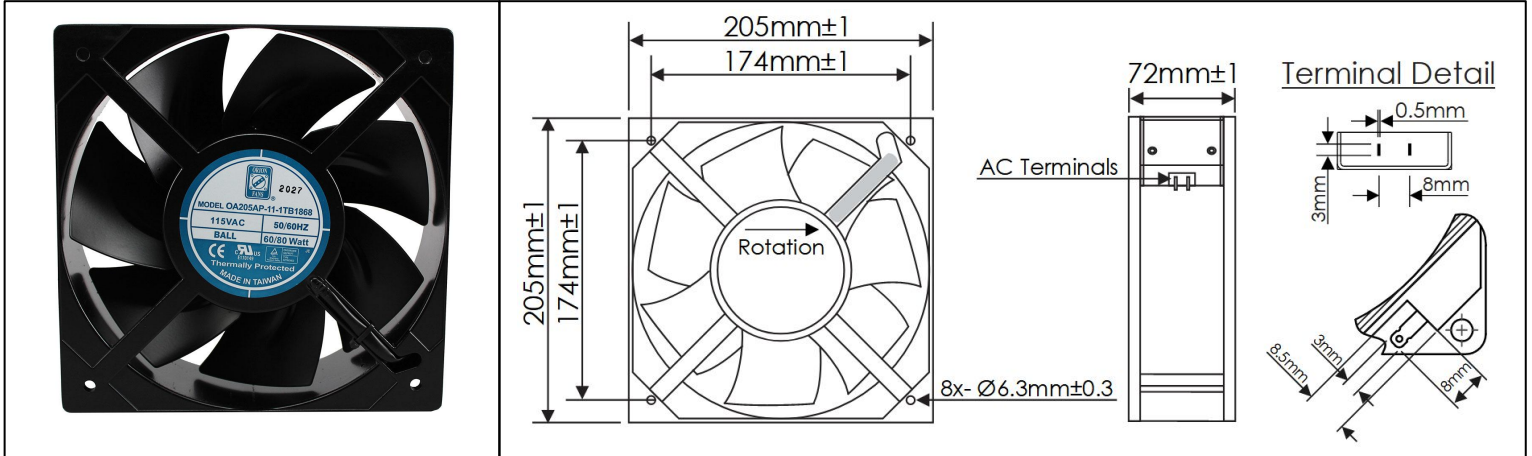


OA205AP IP Rated Series



AC Fans - 115, 230V
205mm x 72mm (8.0" x 2.8")



Frame	Die Cast Aluminum, Black	Operating Temperature -30°C ~ +80°C Storage Temperature -40°C ~ +100°C Life Expectancy 50,000 Hours (L10 at 55°C) Weight: 5.18 lbs.
Impeller	Steel, All Metal, 7 Blade	
Connection	Lead Wires, 300mm 18 AWG, or Terminals	
Motor	AC, Outer Rotor, Capacitor Induction, Single Phase, Thermally Protected, IP68 or IP69K	
Bearing System	Ball Bearings	
Dielectric Strength	1500VAC/min, <5mA	
Insulation Resistance	≥10MΩ @ 500V DC	

Static Pressure ("H₂O")

Airflow (CFM)

.... 50 Hz
— 60 Hz

Part Number	Rated Voltage (Volts AC)	Voltage Range (Volts AC)	Input Power (Watts)	Frequency (Hertz)	Rated Speed (RPM)	Max Airflow (CFM)	Noise Level (dBA)	Max Static Pressure ("H ₂ O")
OA205AP-11-1*B18xxx	115	100 ~ 130	60 / 80	50 / 60	2750 / 3000	520 / 590	67.4	0.91 / 0.86
OA205AP-22-1*B18xxx	230	200 ~ 255	60 / 80	50 / 60	2750 / 3000	520 / 590	67.4	0.91 / 0.86

*Insert "T" for Terminals, or "W" for Lead Wires
xxx Insert "68" for IP68 Rating, or "69K" for IP69K Rating