

NOTES:

1. MATERIALS AND FINISHES:

BODY - BRASS, GOLD PL. .000008"[0.2um] THICK OVER PHOSPHORUS CONTENT 9%~13% ELECTROLESS
 NICKEL PL. .000100"[2.5um] THICK OVER MIN PL..000025"[0.64um] COPPER.
 CONTACT - BRASS, GOLD PL. .000008"[0.2um] THICK OVER PHOSPHORUS CONTENT 9%~13% ELECTROLESS
 NICKEL PL. .000100"[2.5um] THICK OVER MIN PL..000025"[0.64um] COPPER.
 INSULATOR - LCP

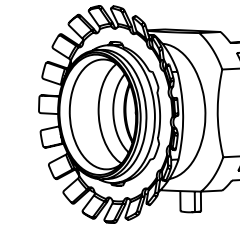
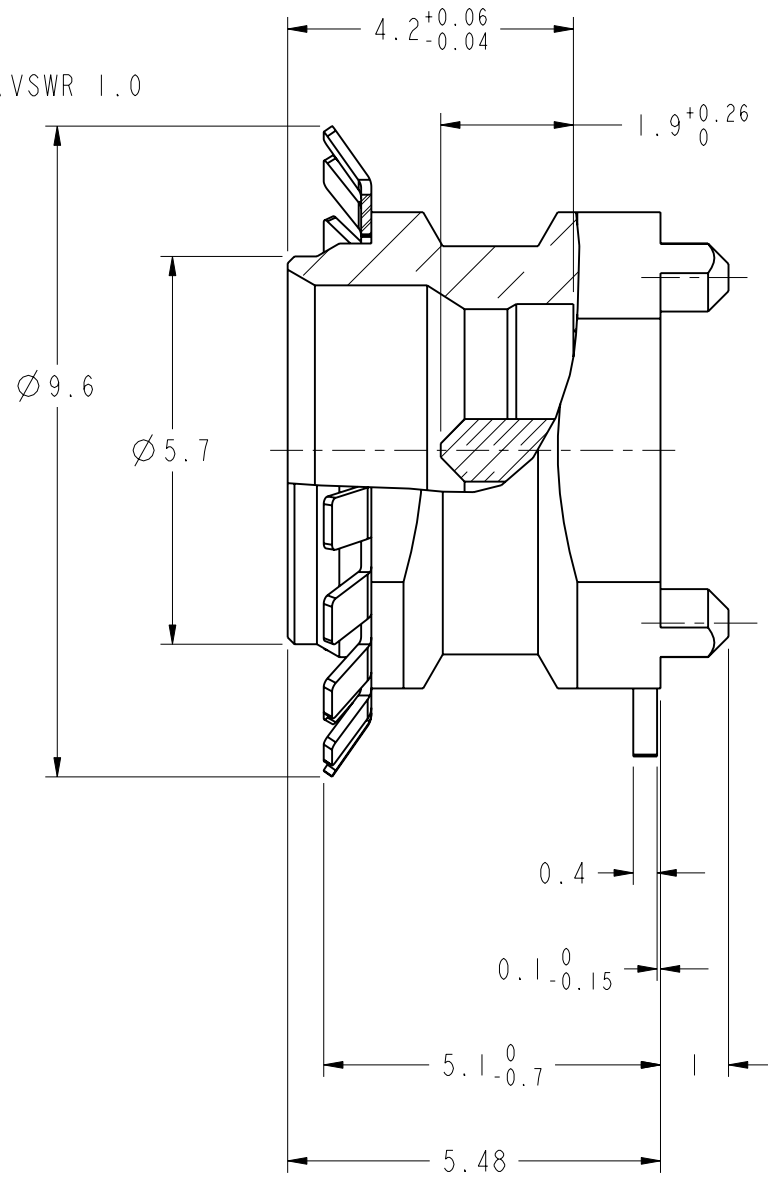
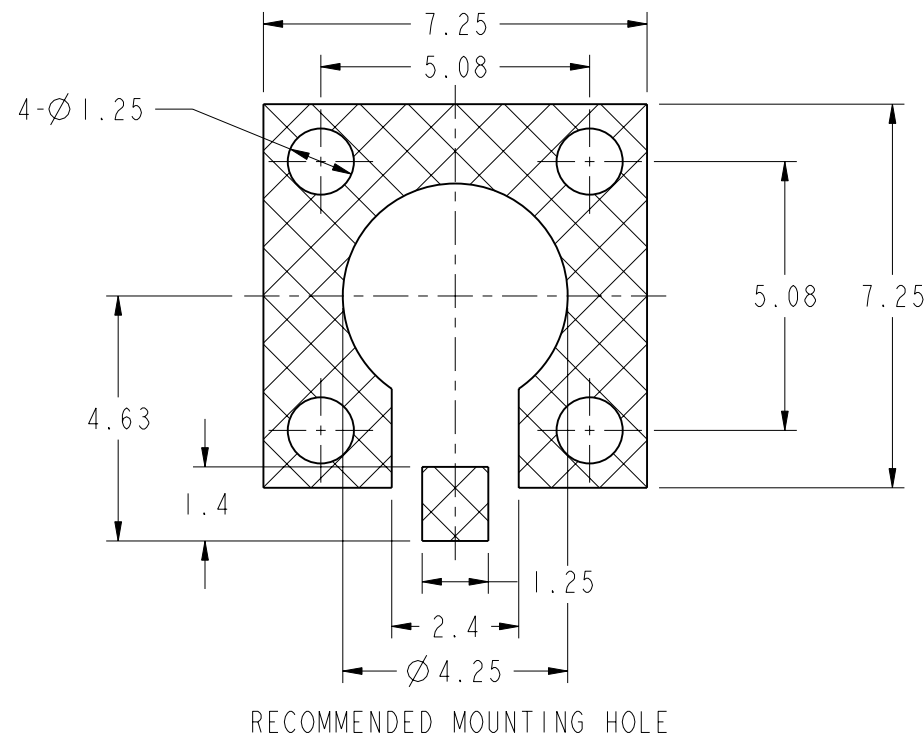
2. ELECTRICAL:

- A. IMPEDANCE: 50 OHM
- B. FREQUENCY RANGE: DC-10 GHz
- C. RETURN LOSS: 30 dB MIN.@ DC-4 GHz
25 dB MIN.@ 4-6 GHz
- D. INSERTION LOSS: $0.03X\sqrt{f(\text{GHz})}$ dB MAX.
- E. INSULATION RESISTANCE: 5 GΩ MIN.
- F. DIELECTRIC WITHSTANDING VOLTAGE: 1000 VRMS MIN.
- G. POWER HANDLING: 200 W MAX.@ 2.2 GHz AT 20°C, SEA LEVEL, VSWR 1.0
- H. INTERMODULATION(3rd order): 160 dBc MIN.@ (2X43dBm)

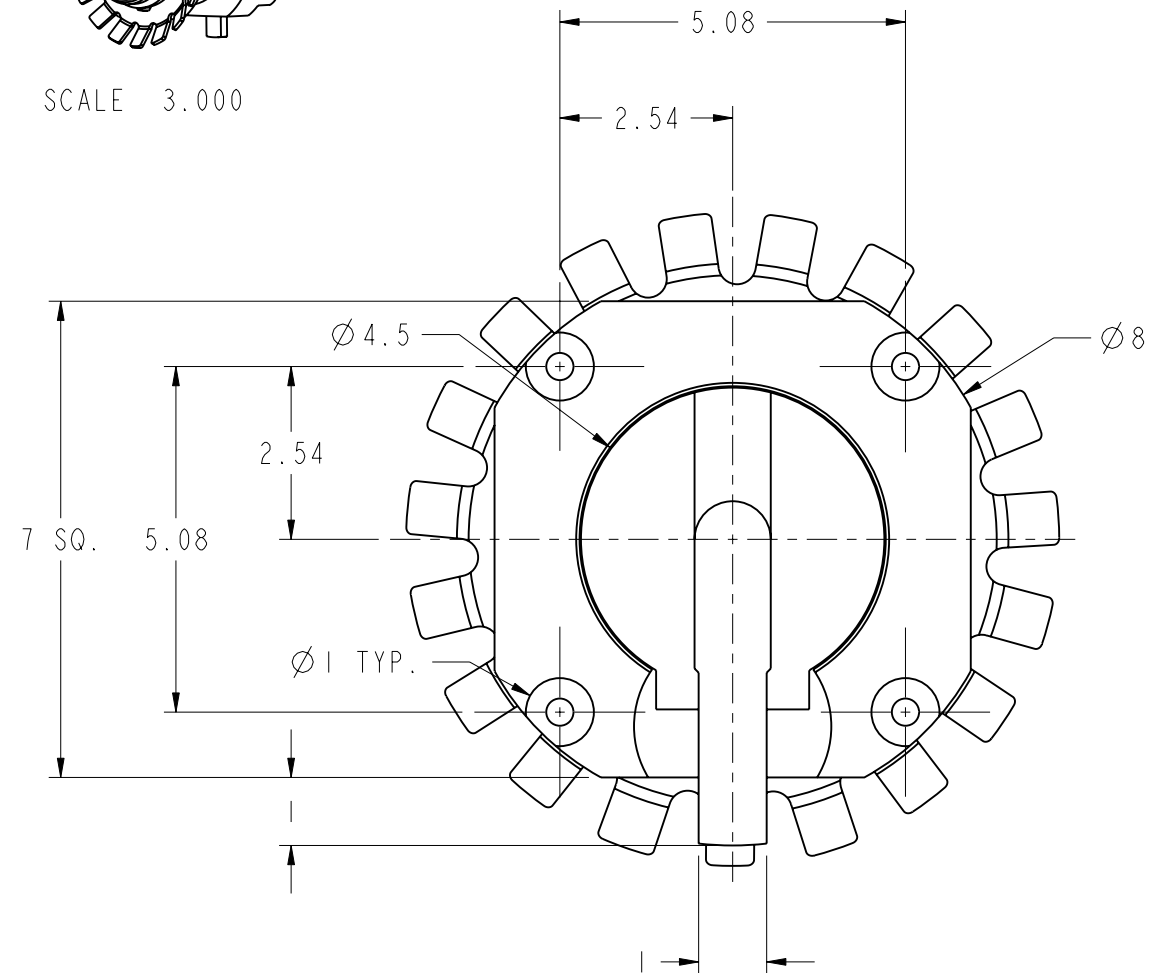
3. MECHANICAL:

- A. MATING CYCLES: 100 MIN.
- B. ENGAGEMENT FORCE: 45 N MAX
- C. DISENGAGEMENT FORCE: 15 N MIN
- D. INNER CONTACT RETENTION FORCE: 7 N MIN
- E. TEMPERATURE RANGE: -65° C TO 165° C

4. ALLOWABLE COMPRESSION OF EMI RING: 0.4 MM MAX.



SCALE 3.000



CUSTOMER OUTLINE DRAWING

ALL OTHER SHEETS ARE FOR INTERNAL USE ONLY

UNLESS OTHERWISE SPECIFIED, DIMENSIONS ARE IN METRIC AND TOLERANCES ARE:
 <0.5mm ±0.05mm, 0.5 - 6mm ±0.1mm, 6 - 30mm ±0.2mm, 30 - 120mm ±0.3mm, ANGLES ±1°

NOTICE - These drawings, specifications, or other data (1) are, and remain the property of Amphenol corp. (2) must be returned upon request; and (3) are confidential and not to be disclosed to any person other than those to whom they are given by Amphenol Corp. the finishing of these drawings, specifications, or other data by Amphenol Corp., or to any other person to anyone for any purpose is not to be regarded by implication or otherwise in any manner licensing, granting rights to permitting such holder or any other person to manufacture, use or sell any product, process or design, patented or otherwise, that may in any way be related to or disclosed by said drawings, specifications, or other data.

MATERIAL	DRAWN	DATE	TITLE	Amphenol RF
	STAMN	03-Dec-15		
REFERENCE EAR04936 119S10C-40ML5	ENGINEER	DATE	LIMITED DETENT	www.amphenolrf.com
	F. WANG	13-Jun-14		
FINISH	APPROVED	DATE	SCALE: 8.0:1.0	DRAWING NO. PSMPI251DI-001-8GPAP8GPA-50
	RICKSON	03-Dec-15	SHEET 2 OF 2	ITEM NO. 671251ABFA12C5F
	CAD FILE		DWG SIZE	PART NO. PSMP-MSLD-PCTEM
			B	
			REV	
			B	