

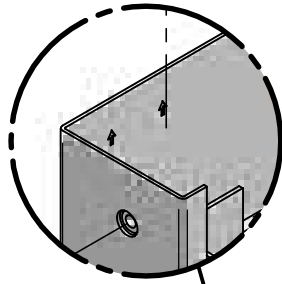
RCSC - SERIES

ASSEMBLY INSTRUCTIONS FOR RCSC KNOCK-DOWN CABINETS

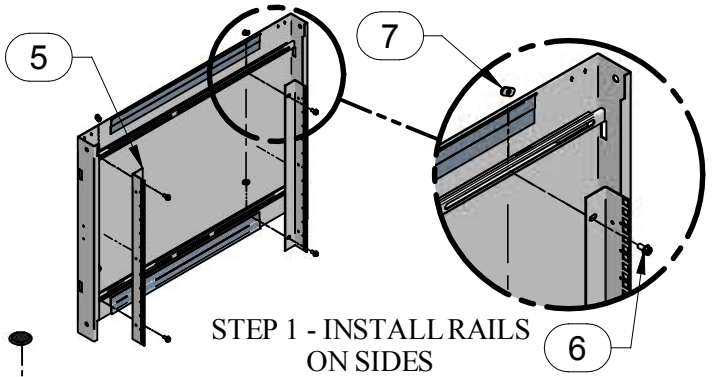
BUL10342

REV. B

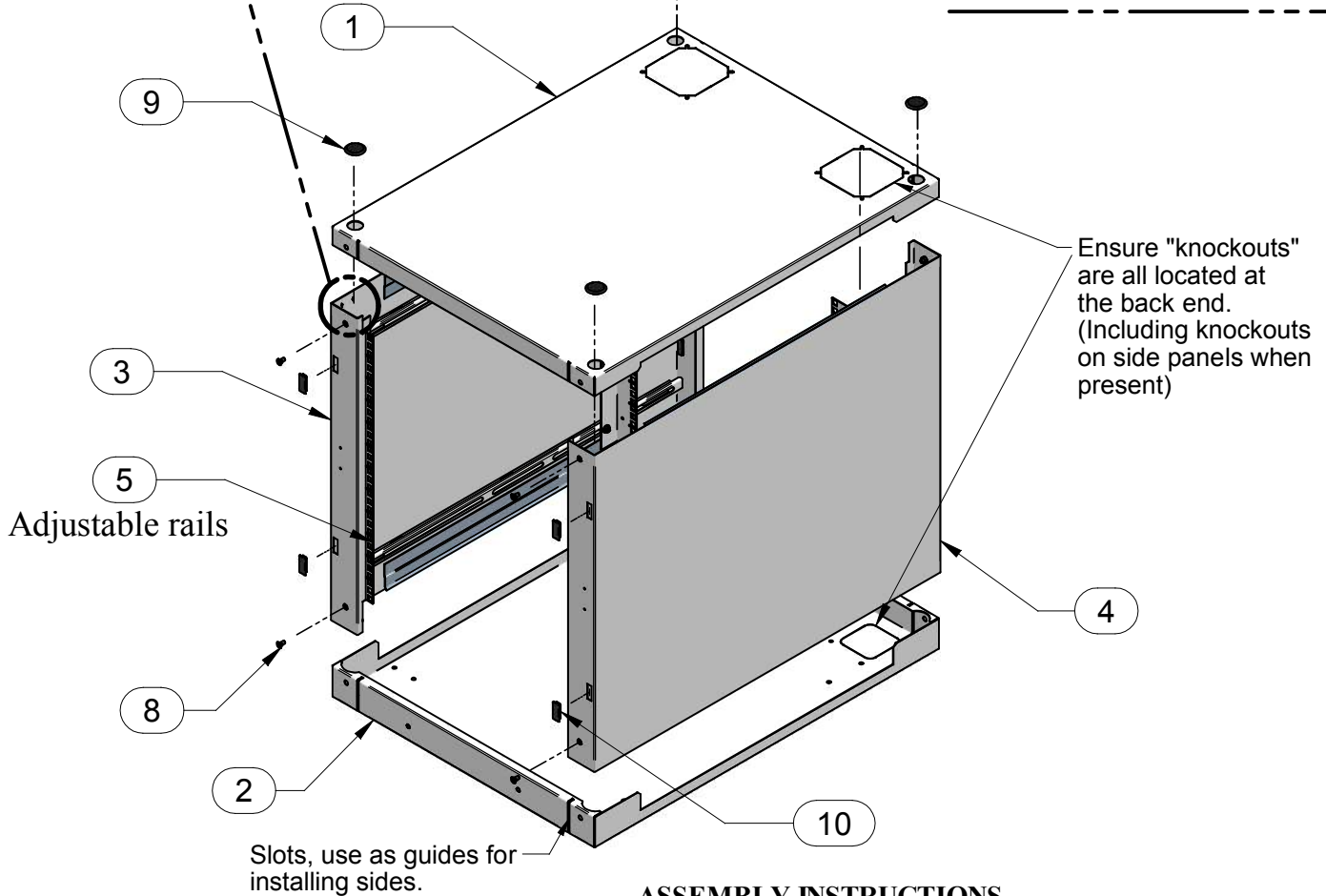
PAGE 1 OF 1



Stamping indicates top of side panels.



STEP 1 - INSTALL RAILS ON SIDES



Ensure "knockouts" are all located at the back end. (Including knockouts on side panels when present)

Adjustable rails

Slots, use as guides for installing sides.

ASSEMBLY INSTRUCTIONS

- 1) Install Rails (Item 5) on Sides (Item 3 & 4) at desired location.
- 2) Place Bottom (Item 2) on floor and install Sides (Items 3 & 4).
- Use slots on Bottom as guides for inserting Sides.
- 3) Install Top (Item 1) in same fashion.
- Ensure Top & Bottom are firmly in place and cabinet is square. (Tap lightly with rubber mallet to seat sides, if req'd)
- 4) Install M6 screws as shown (Item 8).
- 5) Install 1" hole plugs (Item 9).

PARTS LIST

ITEM No.	DESCRIPTION	QTY
1	RCSC K.D. CABINET - TOP	1
2	RCSC K.D. CABINET - BOTTOM	1
3	RCSC K.D. CABINET - L.H. SIDE	1
4	RCSC K.D. CABINET - R.H. SIDE	1
5	RCSC K.D. CABINET - PANEL RAILS	4
6	PANEL RAIL SCREWS - 1/4-20 X 1/2"	8 / 12
7	PANEL RAIL NUTS - 1/4-20	8 / 12
8	SCREW - M6 X 12mm F.H. BLK	8
9	1" DIA. PLUG	4
10	RECTANGULAR PLUG	8

TOOL BOX



Phillips
Screw Driver



HAMMOND
MANUFACTURING™
ELECTRONICS GROUP

visit our website @ www.hammondmfg.com