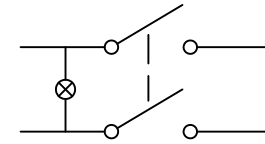
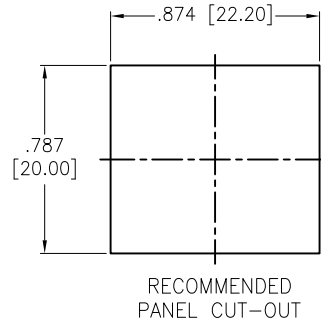
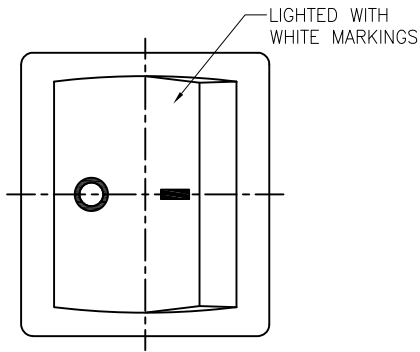
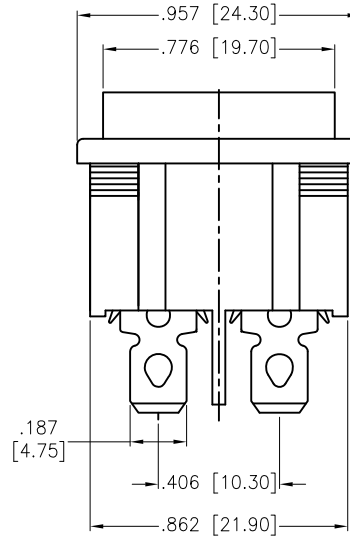
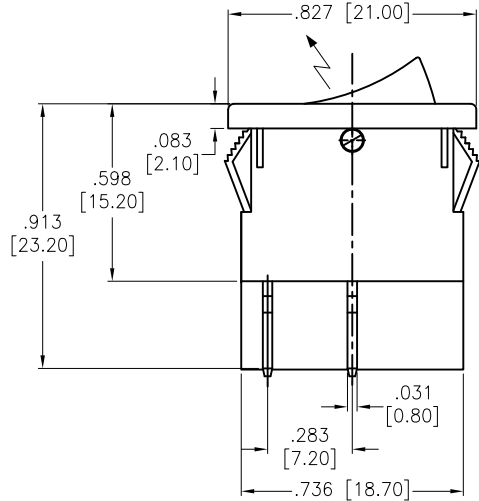


APPROVED: _____
 DATE: _____ TITLE: _____

Rev	AWO #	Description	Date	Appr
-		RELEASED	10/23/20	
A		UPDATE SPEC.	8/31/21	WX/RC



CIRCUIT DIAGRAM
(DPST) ON-OFF



SW-R2-3A-F-LXX-6

Lighted Actuator		Actuator Markings	
W	Lighted White	1	
R	Lighted Red	2	
G	Lighted Green	3	
Y	Lighted Yellow (Amber)	4	
B	Lighted Blue	5	
O	Lighted Orange	6	

Replace "x" in P/N with the corresponding switch color and marking

SPECIFICATIONS:

Material:
 Body: Nylon 66, Color Black, Rated UL 94V-0
 Terminal: Brass, Silver plated
 Button: Nylon 66, Lighted color (See Chart). White color markings

Electrical:
 The rated load: 250V AC, 6A
 125V AC, 10A
 Contact resistance: 50 mohms max
 Insulation resistance: 100 Mohms min
 Dielectric withstanding voltage: 1500 VAC/5S min

Mechanical:
 Electrical life: 10000 Cycles min
 Temperature Rating:
 Operating temperature: -25°C to +85°C
 Environmental:
 Lead free, RoHS compliant



UNLESS OTHERWISE SPECIFIED
 ALL DIMENSIONS ARE INCHES [MM]
 TOLERANCES: EXCEPT AS NOTED

INCHES		HOLES	
.X	± .10	∅X	± .10
.XX	± .020	∅XX	± .015
.XXX	± .015	∅XXX	± .010



909 Rahway Avenue,
 Union, NJ 07083
 Phone: 908-687-5000
 Fax: 908-687-5710

APPROVALS		DATE
DRAWN	OW	10/23/20
CHECKED	AC	10/23/20
APPROVED		

TITLE			
SWITCH, MINIATURE ROCKER DPST, ON-OFF, QC .187 [4.75MM], LIGHTED			
SIZE	PART NO.	REV.	
X	SW-R2-3A-F-LXX-6	A	
REF:	-	SCALE: NTS	SHEET 1 OF 1