

MATERIALS AND FINISHES

COUPLING SLEEVE: BRASS
PLATED NICKEL

BODY: BRASS
PLATED TRI-M3

RETENTION CAP: BRASS
PLATED TRI-M3

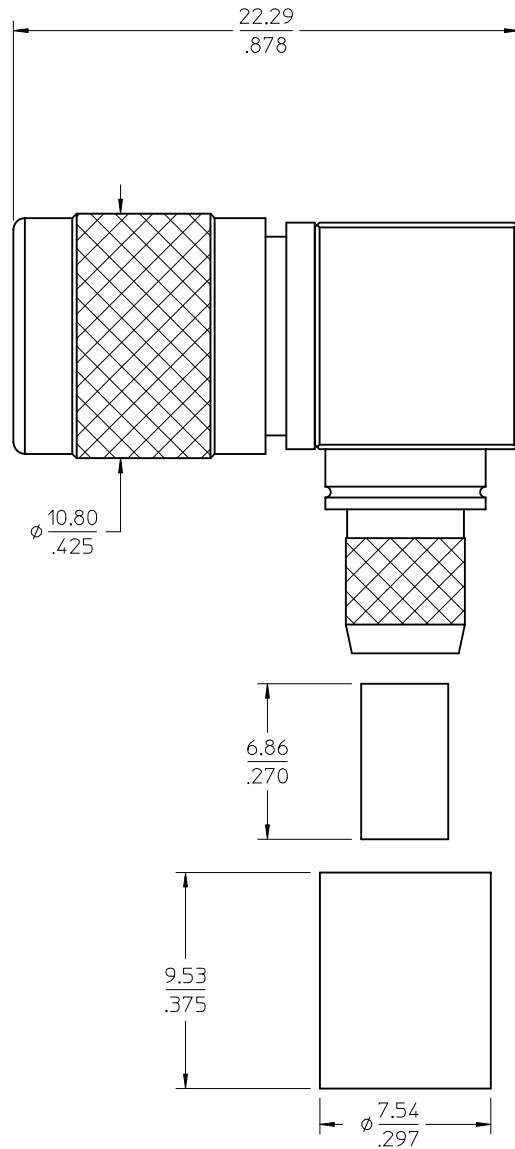
INSULATORS: TEFLON

RETENTION SPRING: STAINLESS STEEL
PASSIVATED

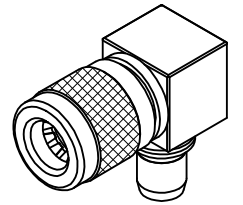
GROUND SPRING: BERYLLIUM COPPER
PLATED GOLD OVER TRI-M3

CONTACT: BRASS
PLATED GOLD OVER TRI-M3

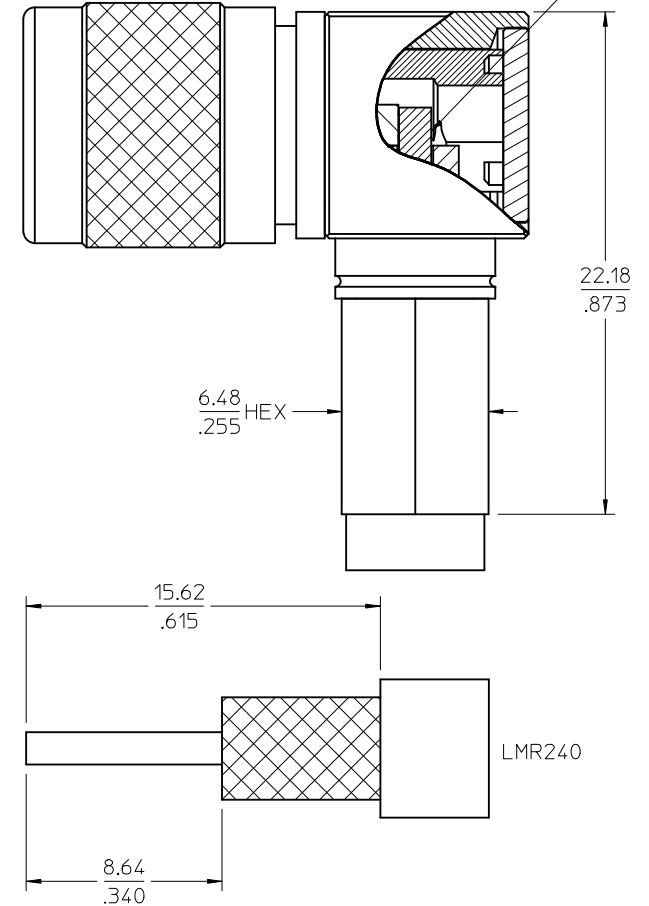
CRIMP TUBE: BRASS
PLATED NICKEL



CAP



SOLDER



PART # 73254-0190

CHG: MAJOR
DESIGN CHANGE.

EC NO: URF2009-0770
DRAWN: ROBERTSON 2009/06/23
CHKD: SSS 2009/06/23
APPR: JWIENER 2009/06/23

REV	DESCRIPTION
1	QUALITY SYMBOLS
2	QUALITY SYMBOLS

GENERAL TOLERANCES (UNLESS SPECIFIED)	
mm	INCH
4 PLACES ± .005	± .0004
3 PLACES ± .003	± .0003
2 PLACES ± .002	± .0002
1 PLACE ± .001	± .0001
ANGULAR ± 2 °	
DRAFT WHERE APPLICABLE MUST REMAIN WITHIN DIMENSIONS	

DIMENSION STYLE	
MM/IN	DATE
DRAWN BY TEF	2004/06/04
CHECKED BY SSS	2004/06/04
APPROVED BY GMH	2004/06/04
MATERIAL NO. 732540190	
SIZE C	

SCALE	DESIGN UNITS	THIRD ANGLE PROJECTION
METRIC		
TITLE	QMA PLUG, R/A LMR240 50 OHMS QMA-PC	
MOLEX INCORPORATED		
DOCUMENT NO. SD-73254-019	SHEET NO. 1 OF 1	
THIS DRAWING CONTAINS INFORMATION THAT IS PROPRIETARY TO MOLEX INCORPORATED AND SHOULD NOT BE USED WITHOUT WRITTEN PERMISSION		