

PCB layout

Specifications:

Current Rating: 1.5A AC/DC

Voltage Rating: 30V AC/DC

Contact Resistance: 20m Ohm. Max.

Insulation Resistance: 1000M Ohm. Min.

Withstanding Voltage: 750V AC/Minute

Operating Temperature Range: $-40^{\circ}\text{C} \sim +105^{\circ}\text{C}$

Materials:

Insulator: LCP(UL94V-0)

Insulator Color: White

Contact: Brass

Plating: Gold Flash Plated in Contact Area,
Tin Plated on Solder Tails.

Shell: Brass, Nickel Plated

RoHS Compliant

REV	DATE	FILE	BY

DRAWN:
CHECKED:
APPROVAL:

GENERAL TOLERANCE: .X=±0.20 .XX=±0.15
UNIT: MM
SCALE: 1:1
SHEET: 1 / 2
PROJECTION:

CnC Tech Industrial Cable and Connector Technology	
DESCRIPTION: USB A Male SMD Type,G/F	SIZE A4
PART NO: 1001-011-01101-TR	

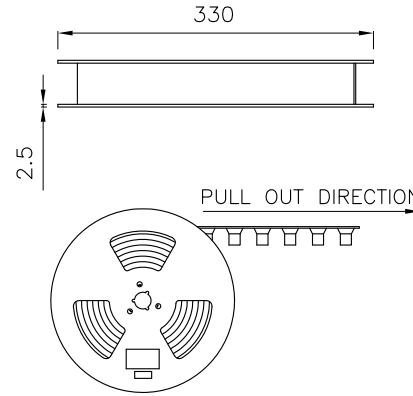
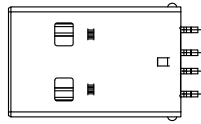
1

2

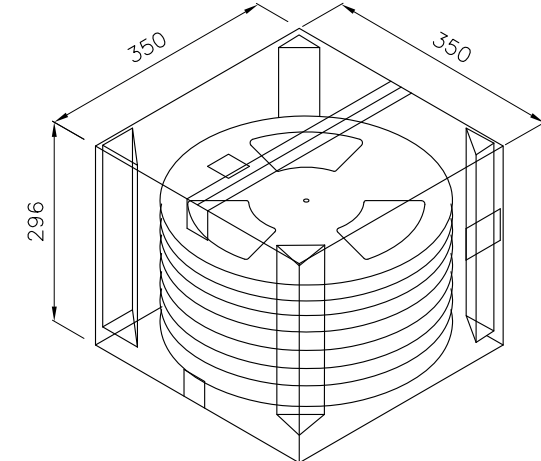
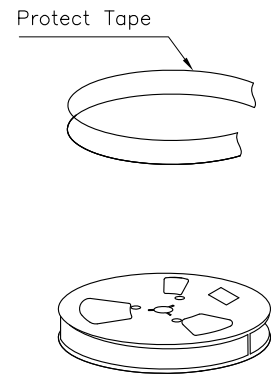
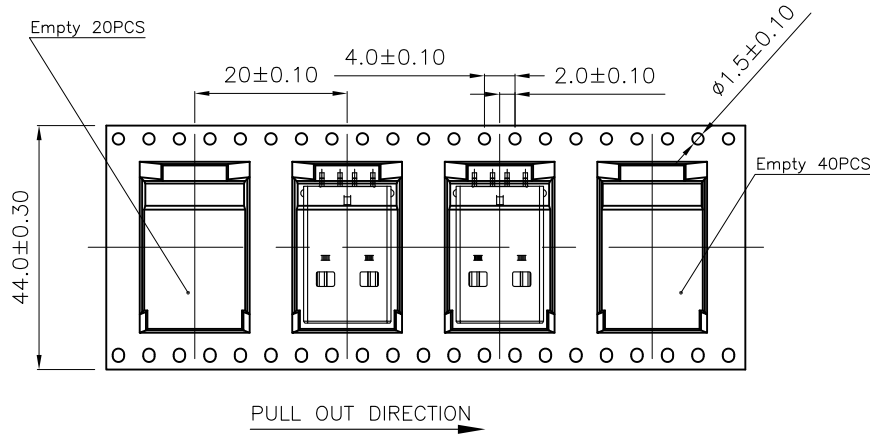
3

4

5



Note:
 1.Material : Black Conductive Polystyrene Alloy
 100% recyclable.
 2.Thickness : 0.35±0.05mm
 3.Component load per 13" reel :500 Pcs.
 4.Carton Size:350*350*296(mm)



Pin No	W	PCS/R	R/CTN	Q'TY
04	44	500	5	2500

RoHS Compliant

				DRAWN:	GENERAL TOLERANCE: .X=±0.20 .XX=±0.15	<h1 style="color: red; text-align: center;">CnC Tech</h1> <p style="text-align: center;">Industrial Cable and Connector Technology</p>	
				CHECKED:			
					SCALE:1:1	USB A Male SMD Type,G/F	SIZE
				APPROVAL:	SHEET: 2 / 2	PART NO:	A4
REV	DATE	FILE	BY		PROJECTION:	1001-011-01101-TR	