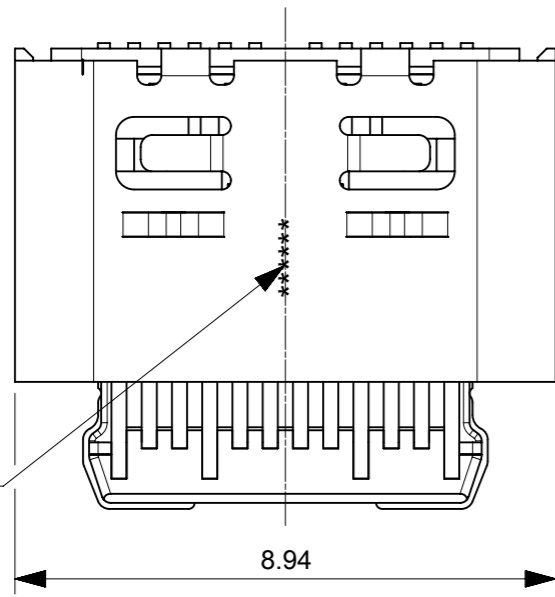
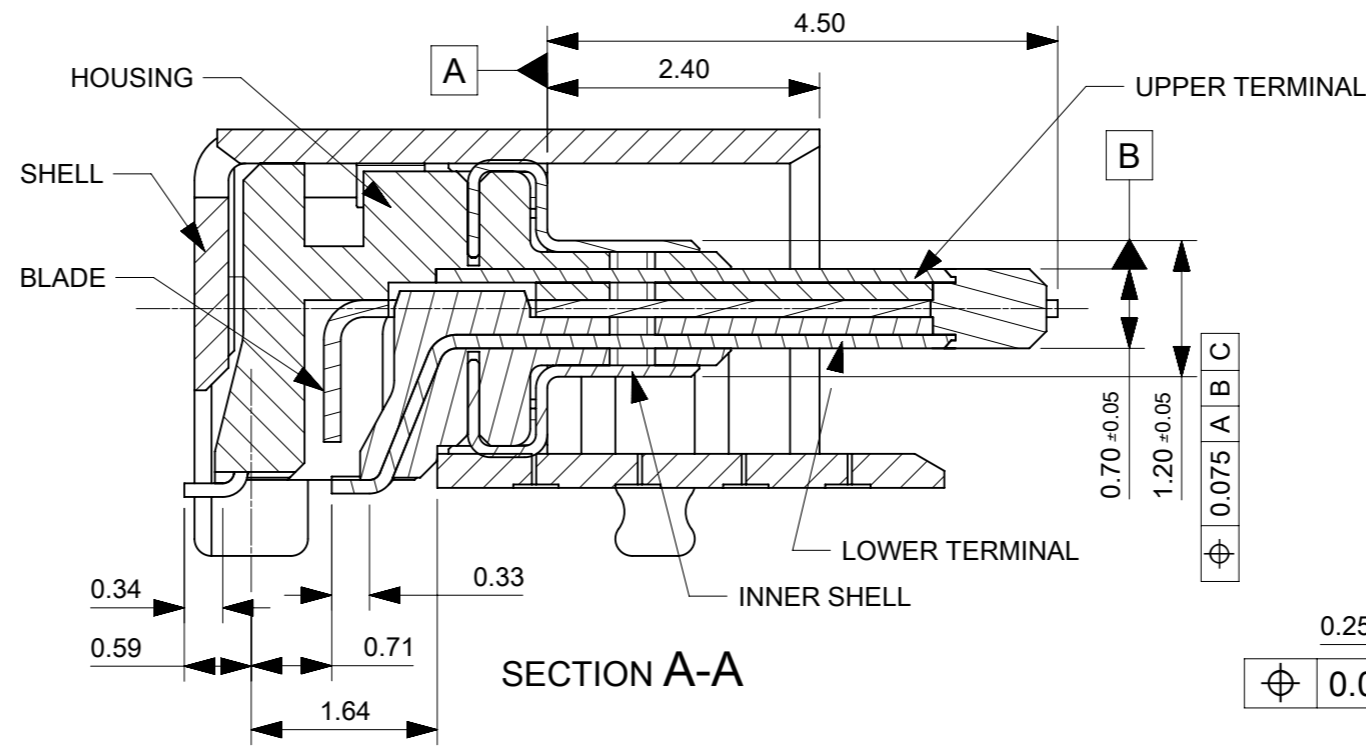


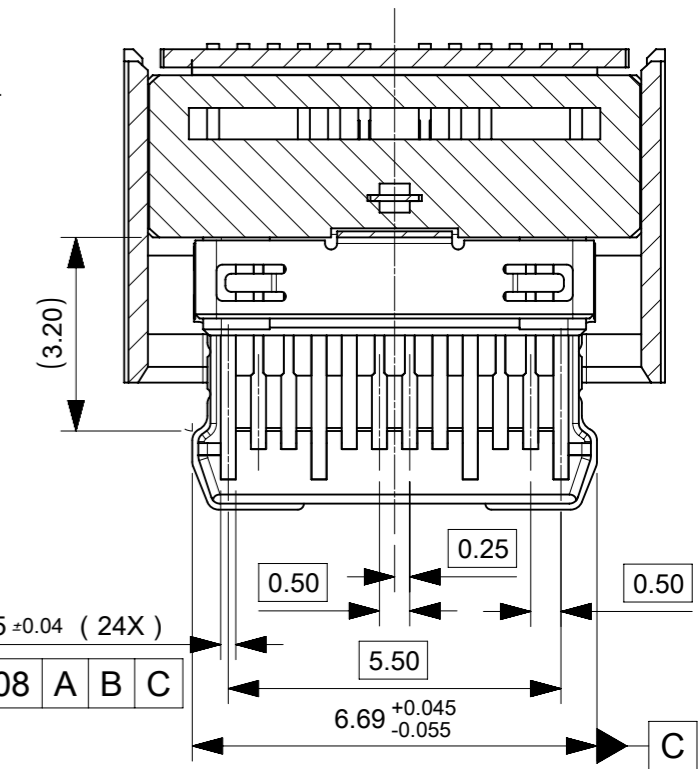
DATE CODE



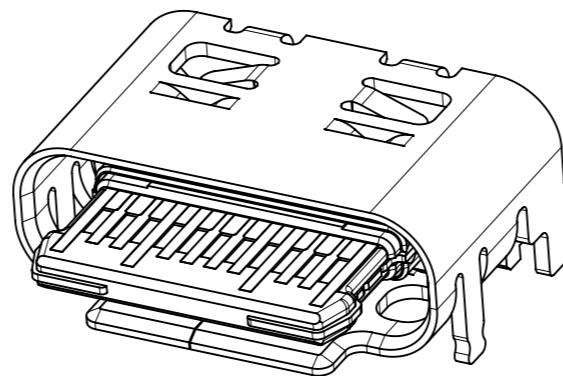
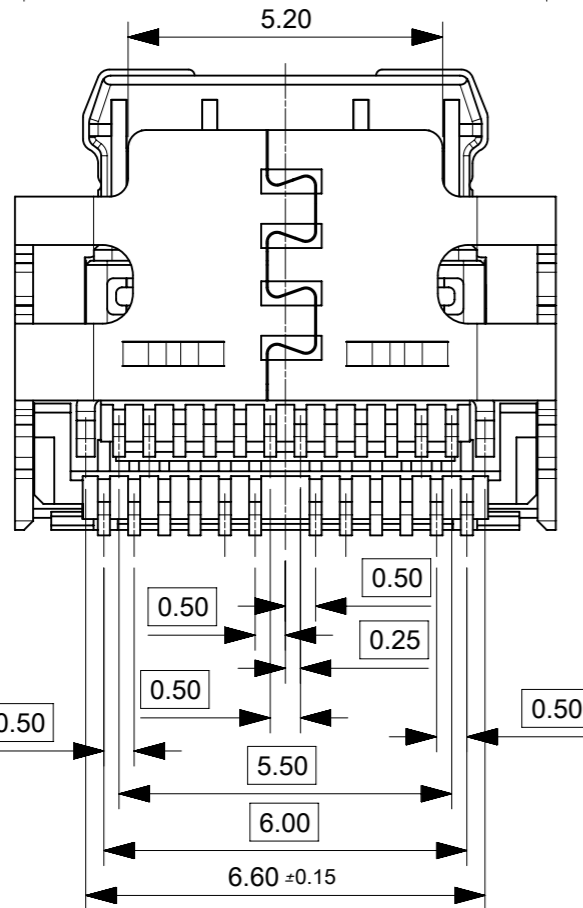
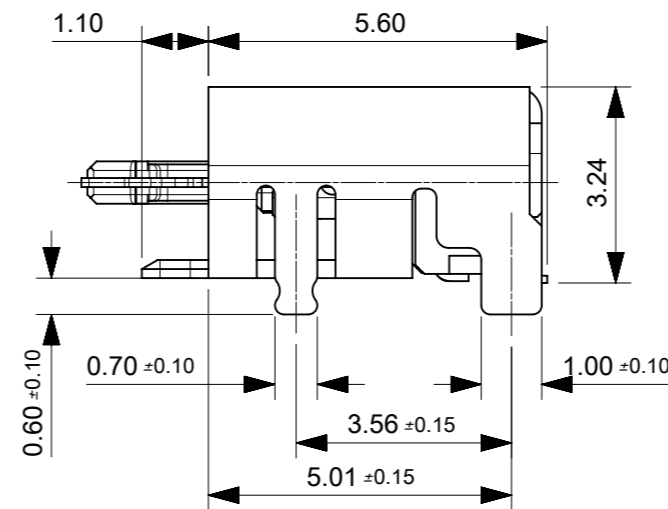
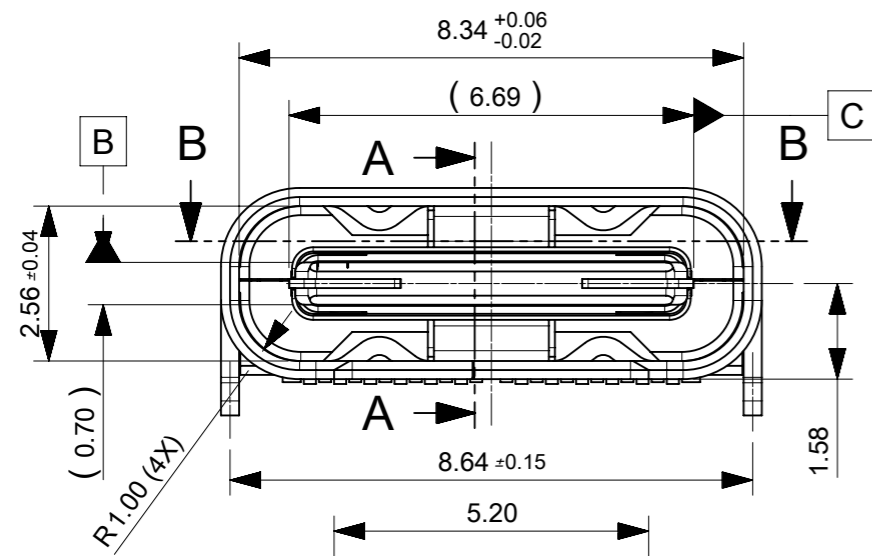
8.94



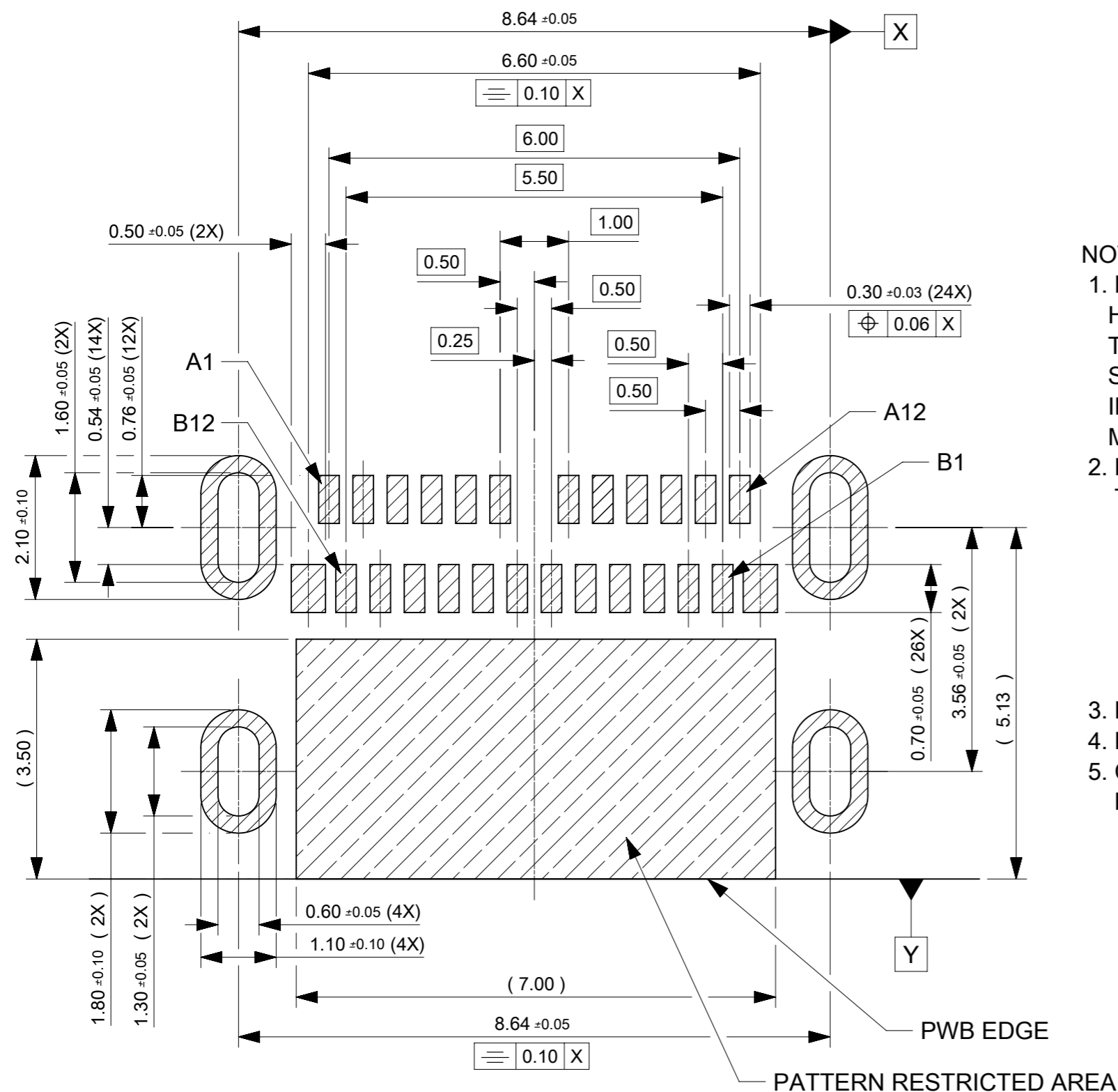
SECTION A-A



SECTION B-B



THIS DRAWING CONTAINS INFORMATION THAT IS PROPRIETARY TO MOLEX ELECTRONIC TECHNOLOGIES, LLC AND SHOULD NOT BE USED WITHOUT WRITTEN PERMISSION															
DIMENSION UNITS		SCALE		CURRENT REV DESC:											
mm		8:1		<b>molex</b> USB TYPE C TOP MOUNT SHORT SHELL PRODUCT CUSTOMER DRAWING											
GENERAL TOLERANCES (UNLESS SPECIFIED)															
ANGULAR TOL ± 3.0°															
4 PLACES ±		EC NO: 635595								2020/03/25		DOCUMENT NUMBER		DOC TYPE DOC PART REVISION	
3 PLACES ±		DRWN: RZHANG								2020/04/10		1054500011		PSD 000 A	
2 PLACES ± 0.2		CHK'D: AYIN		2020/04/10		MATERIAL NUMBER		CUSTOMER							
1 PLACE ± 0.2		APPR: AYIN		2020/04/10		SERIES		SHEET NUMBER							
0 PLACES ±		INITIAL REVISION:		2019/09/05		A3-SIZE		105450							
DRAFT WHERE APPLICABLE MUST REMAIN WITHIN DIMENSIONS		THIRD ANGLE PROJECTION		DRAWING		MATERIAL NUMBER		CUSTOMER							
				A3-SIZE		105450		1054500011							



RECOMMENDED PWB LAYOUT (TOP VIEW)

NOTES:

- MATERIAL,  
HOUSING: HIGH TEMPERATURE THERMAL PLASTIC , GLASS FILLED, BLACK, UL94V-0.  
TERMINAL: COPPER ALLOY  
SHELL: STAINLESS STEEL  
INNER SHELL: STAINLESS STEEL  
MIDDLE BLADE: STAINLESS STEEL
- PLATING:  
TERMINAL: CONTACT AREA:  
GOLD FLASH OVER 0.76 MICROMETER MIN. PALLADIUM/NICKEL PLATING  
AND SOLDER TAIL: 0.05 MICROMETER MIN. GOLD PLATING  
UNDER PLATING: 2 MICROMETER MIN. NICKEL PLATING OVERALL  
SHELL: 1 MICROMETER MIN. SOLDERABLE NICKEL PLATING OVERALL  
MIDDLE BLADE: 2MICRON MIN.TIN PLATING ON THE SOLDER TAIL  
AND 1 MICROMETER NICKEL PLATING OVERALL
- PRODUCT SPEC REFER TO PS-105448-001
- PACKAGE SPEC REFER TO 1054508811
- COPLANARITY OF SMT PINS SOLDER TAIL IS 0.10 MAX.  
BEFORE AND AFTER REFLOW

PIN ASSIGNMENT													
A1	A2	A3	A4	A5	A6	A7	A8	A9	A10	A11	A12	BLADE	SHELL
GND	TX1+	TX1-	VBUS	CC1	D+	D-	SBU1	VBUS	RX2-	RX2+	GND		
												GND	GND
GND	RX1+	RX1-	VBUS	SBU2	D-	D+	CC2	VBUS	TX2-	TX2+	GND		
B12	B11	B10	B9	B8	B7	B6	B5	B4	B3	B2	B1		

THIS DRAWING CONTAINS INFORMATION THAT IS PROPRIETARY TO MOLEX ELECTRONIC TECHNOLOGIES, LLC AND SHOULD NOT BE USED WITHOUT WRITTEN PERMISSION											
DIMENSION UNITS	SCALE	CURRENT REV DESC:									
mm	13:1	<p>USB TYPE C TOP MOUNT SHORT SHELL</p> <p>PRODUCT CUSTOMER DRAWING</p>									
GENERAL TOLERANCES (UNLESS SPECIFIED)											
ANGULAR TOL	± 3.0°										
4 PLACES	±										
3 PLACES	±										
2 PLACES	± 0.2	INITIAL REVISION:		DOCUMENT NUMBER	DOC TYPE	DOC PART	REVISION				
1 PLACE	± 0.2	DRWN: RZHANG 2019/09/05		1054500011	PSD	000	A				
0 PLACES	±	APPR: AYIN 2020/04/10									
DRAFT WHERE APPLICABLE MUST REMAIN WITHIN DIMENSIONS	THIRD ANGLE PROJECTION	DRAWING	SERIES	MATERIAL NUMBER	CUSTOMER		SHEET NUMBER				
		A3-SIZE	105450	1054500011			2 OF 2				