

4

3

2

1

THIS DRAWING IS UNPUBLISHED
VERTRAULICHE UNVERÖFFENTLICHE ZEICHNUNG

RELEASE FOR PUBLIKATION
FREI FUER VERÖFFENTLICHUNG

MATED WITH:
PASSEND ZU:

LOC AI
DIST -

REVISIONS
ÄNDERUNGEN

© COPYRIGHT 2000 BY AMP INCORPORATED ALL RIGHTS RESERVED
ALLE RECHTE VORBEHALTEN

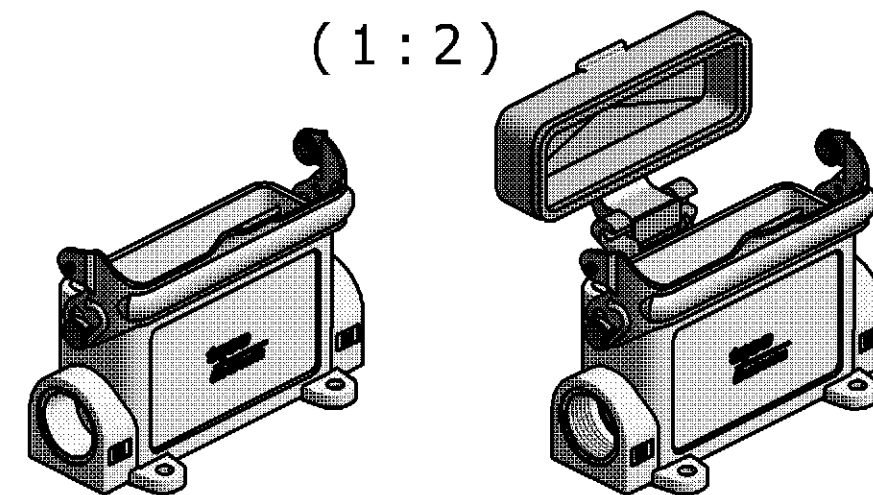
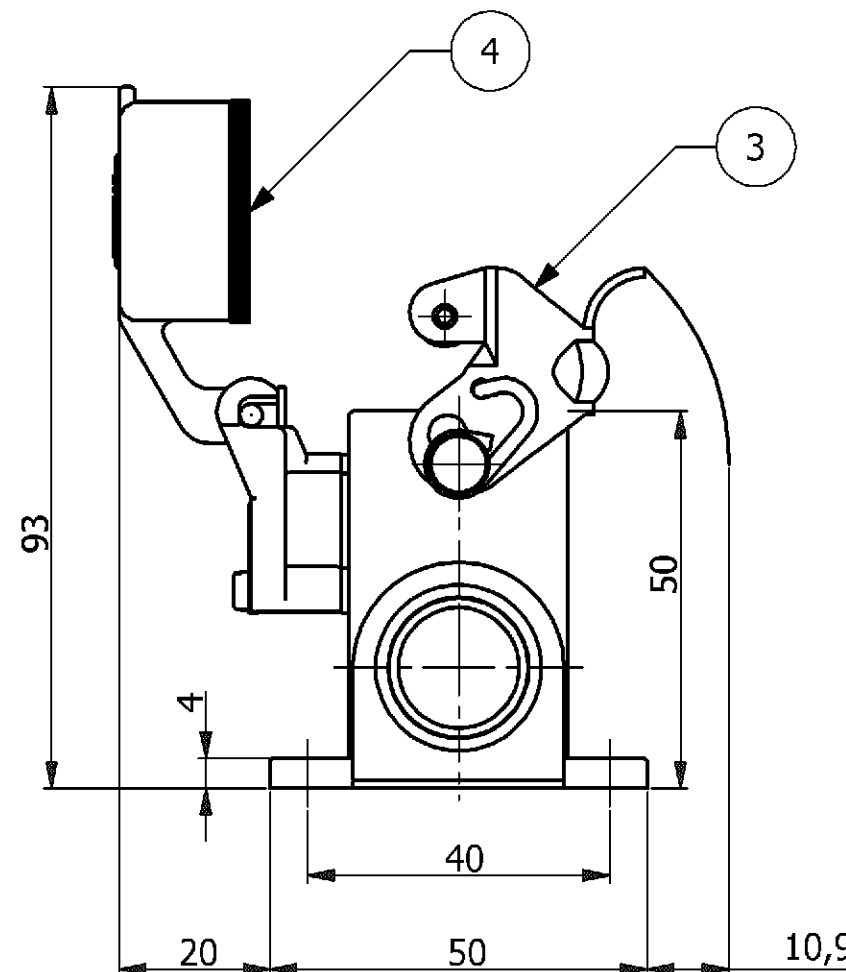
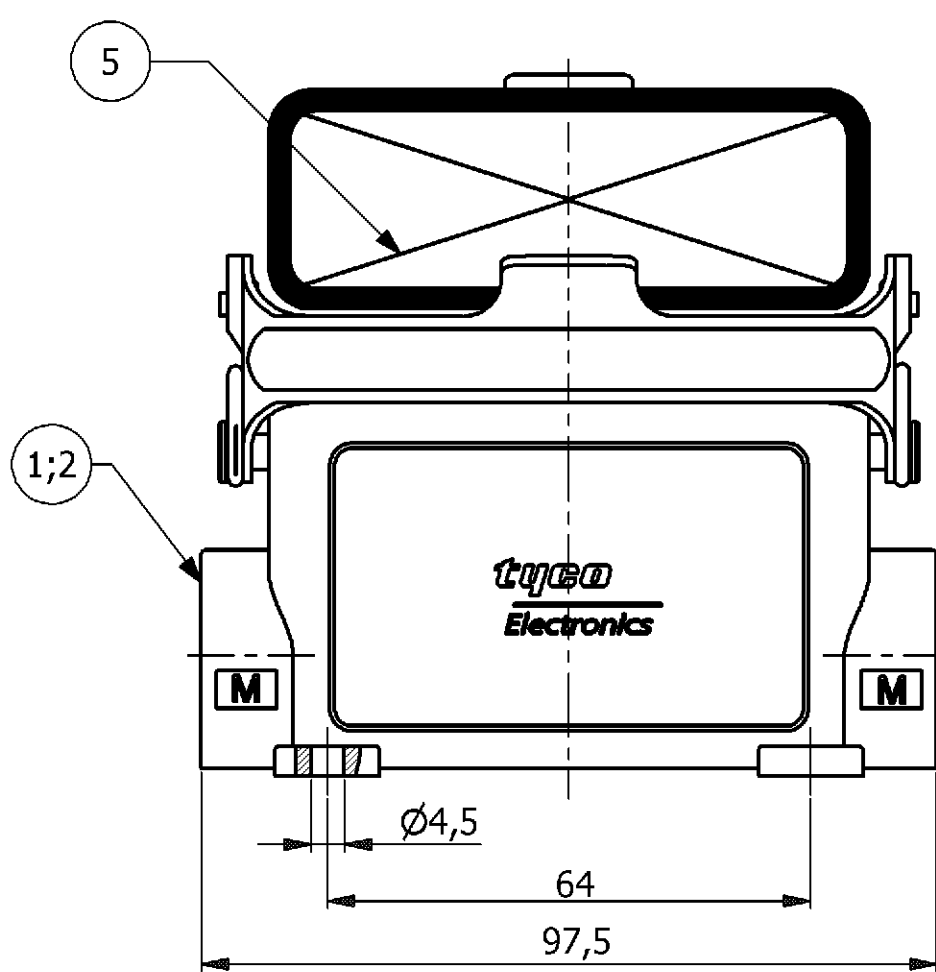
BG5

PROJEKT NR.
EGGMA05416

P	LTR	DESCRIPTION BESCHREIBUNG	DATE	DWN	APVD
B1		AS PER ECR-07-012982	5/28/2007	PB	ST
B2		ECR-17-001189	17AUG2017	RG	MKO

NOTES

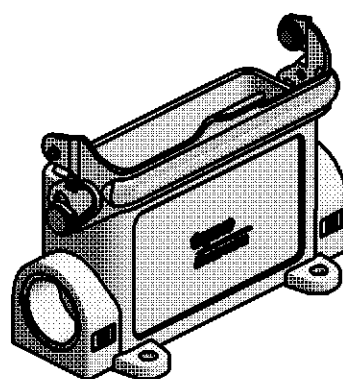
- 1 PACKAGING QUANTITY: 5 PIECES PER BOX
- 2 MATERIAL: SEE TABLE
- 3 FINISH: VARNISH
- 4 VARNISH ON THE INSIDE NOT NECESSARY



PN 0-2
Ordering Text
HA.16.SGD-LB.2.M20.Z

PN 0-1
Ordering Text
HA.16.SGD-LB.2.M20.Z

~~PN 0-1 as shown~~



PN 0-4
Ordering Text
HA-K.16.SGD-LB.2.M20.Z

QTY	DESCRIPTION	MATERIAL	SURFACE	COLOR	ITEM NO.	REMARKS
1	Surface Mounted Housing-Side Entry	Aluminium	HC	Black	6	-
-	Cover	Aluminium	-	Grey	5	-
-	Profile Seal	Neoprene	-	Black	4	-
1	Side Clip	Steel	Zinc Plated	Blue	3	-
-	Surface Mounted Housing-Side Entry	Aluminium	-	Grey	2	-
-	Surface Mounted Housing-Side Entry	Aluminium	-	Grey	1	-

DIMENSIONS: DIMENSIONEN: mm		TOLERANCES UNLESS OTHERWISE SPECIFIED: ALLGEMEINTOLERANZEN		DWN	3/2/2006	TE Connectivity
		n. ISO 8015 - n. ISO 2768 - mH-E n. DIN 16901- 140 0 PLC # 1 PLC # 2 PLC # 3 PLC # ANGLES / WINKEL #		P.BENNUR	3/2/2006	
MATERIAL		FINISH / OBERFLÄCHE / FARBE		CHK	3/2/2006	
				APVD	3/2/2006	NAME
				T.SCHNURPFEL		RESTRICTED TO NUR FUER
				PRODUCT SPEC. PRODUKTSPEZ.		SIZE
				APPLICATION SPEC. VERARBEITUNGSSPEZ.		CAGE CODE
				WEIGHT GEWICHT		DRAWING NO. ZEICHNUNGS-NR.
				A3		00779
				CUSTOMER DRAWING / KUNDENZEICHNUNG		1106438
				SCALE MASSSTAB		1:1
				SHEET BLATT		1
				OF VON		1
				REV.		B2

H:\HITS\projects\ESQ\05-110-PPA-D Hoods and Housing\HA_16\Assemblies\1106438_C-1106438.dwg