

SCALE 1:1

### TECHNICAL SPECIFICATION :

MAX. CURRENT : 16.0A  
 INSULATION RESISTANCE : 100Megaohms min.  
 MAX. CONDUCTOR : 1.50mm<sup>2</sup>/16AWG  
 MAX. VOLTAGE : 250V  
 CONTACT RESISTANCE : ≤15milliohms max.

CABLE DIAMETER RANGE :  
 PG6-M16 : 6.00-8.00mm  
 PG11 - G1/2"-M20 : 8.00-10.0mm

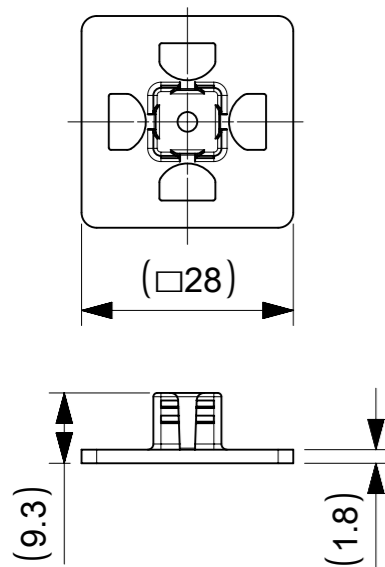
OPERATING TEMPERTURE WITH:  
 NITRILE RUBBER(NBR) GASKET : -40°C TO +90°C  
 SILICONE : -40°C TO +125°C

ENVIRONMENTAL : IP65  
 (IP67 AVAIABLE ON REQUEST)

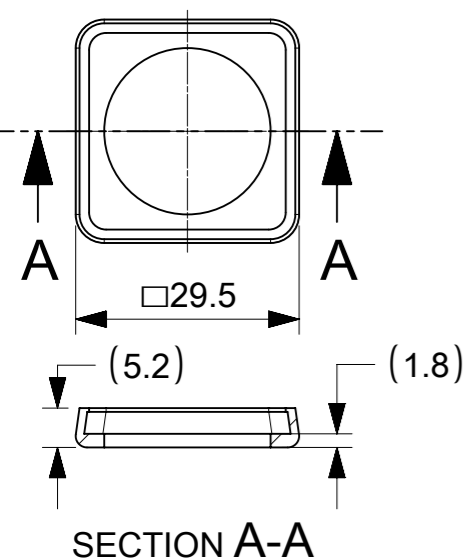
#### BOM

ITEM	DESCRIPTION	QTY.
1	SCREW	1
2	COVER ASSEMBLY	1
3	INSERT ASSEMBLY	1
4	GASKET	1

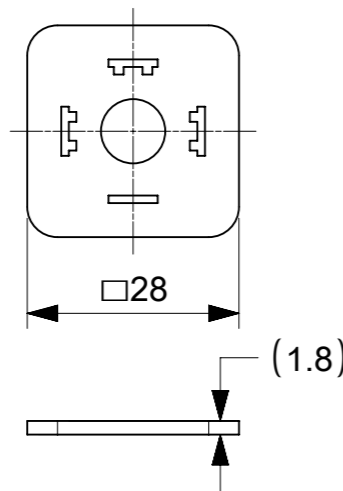
#### INTEGRATED GASKET



#### PROFILED GASKET



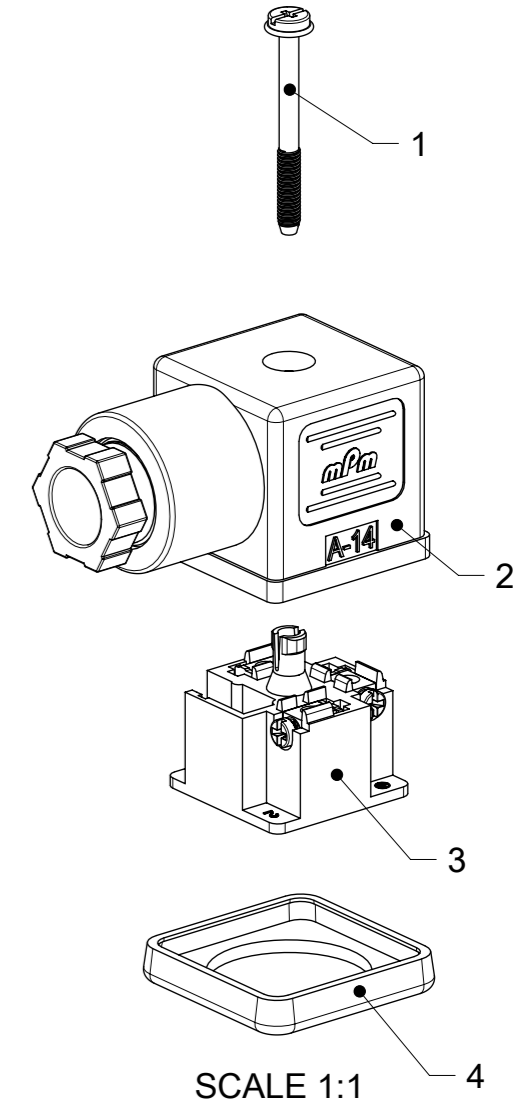
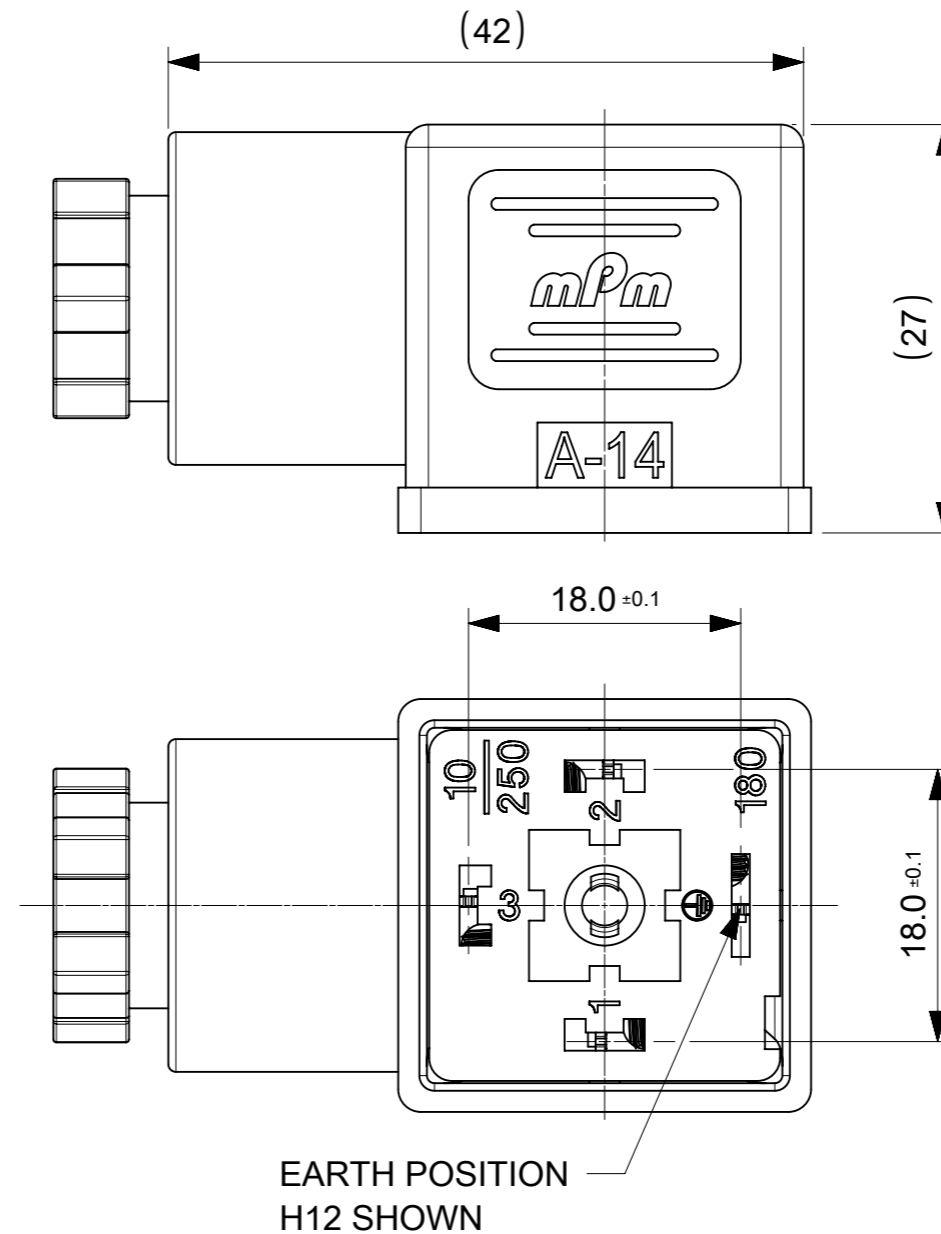
#### FLAT GASKET



#### SCREW M3x29



#### SCREW M3x30 + WASHER



SCALE 1:1

#### NOTES :

- PLEASE SEE PDP 1210230229 FOR CURRENTLY CONFIGURED PART NUMBERS.
- FOR PACKAGING SEE PACKAGING SPEC PK-121023-C18
- PRODUCT SPEC : SEE PS-121201-001

SYMBOLS	THIS DRAWING CONTAINS INFORMATION THAT IS PROPRIETARY TO MOLEX ELECTRONIC TECHNOLOGIES, LLC AND SHOULD NOT BE USED WITHOUT WRITTEN PERMISSION		CURRENT REV DESC:		molex	
▽ = 0	DIMENSION UNITS	SCALE			C18 SERIES ASSEMBLY OPTIONS	
▽ = 0	mm	2:1			PRODUCT CUSTOMER DRAWING	
▽ = 0	GENERAL TOLERANCES (UNLESS SPECIFIED)				DOCUMENT NUMBER	
▽ = 0	ANGULAR TOL ± °				1210230229	
▽ = 0	4 PLACES ±		EC NO: 707042		DOC TYPE	
▽ = 0	3 PLACES ±		DRWN: APAWLAK01 2022/05/17		PSD	
▽ = 0	2 PLACES ± 0.1		CHK'D: RSILLER 2022/05/19		DOC PART	
▽ = 0	1 PLACE ± 0.2		APPR: RSILLER 2022/05/19		000	
▽ = 0	0 PLACES ±		INITIAL REVISION:		REVISION	
▽ = 0	DRAFT WHERE APPLICABLE MUST REMAIN WITHIN DIMENSIONS		DRWN: SSM 2019/01/09		A1	
▽ = 0	THIRD ANGLE PROJECTION		APPR: RSILLER 2019/01/15			
	DRAWING	SERIES	MATERIAL NUMBER	CUSTOMER	SHEET NUMBER	
	A3-SIZE	121023	SEE 1210230229 PDP	GENERAL MARKET	1 OF 2	

# C18 SERIES MATRIX

C 1 8 X X X X X X X X

## OPTIONS

**SERIES**  
C18 - INTERNAL  
THREAD  
FORM A

**POLES**  
2 - 2 POLE  
3 - 3 POLE

**THREAD**  
09 - PG9  
11- PG11  
M6 - M6x1.5  
M0 - M20x1.5  
12 - 1/2" GAS,  
13 - 1/2" NPTF  
39 - PG9 W/STRAIN RELIEF  
41 - PG11 W/STRAIN RELIEF

**GROUND  
POSITION :**  
0 - UNMOUNTED  
2 - H12  
3 - H3  
6 - H6  
9 - H9

**MATERIAL AND  
HOUSING COLOR:**  
G - PA6 Grey  
N - Black Black  
T - Transparent  
W - Black UL94 - V0  
H - PA6 HEAT PROTECTION  
Z - Grey V0

**SCREW AND GASKET**  
1 - NBR PROFILE GASKET & SCREW  
2 - NBR FLAT GASKET & SCREW  
3 - WHITE SILICONE PROFILE GASKET & SCREW  
4 - WHITE SILICONE FLAT GASKET & SCREW  
5 - NBR PROFILE GASKET, NO SCREW  
9 - NO GASKET , NO SCREW  
0 - NO GASKET , NO SCREW  
A - NBR PROFILE GASKET & SCREW + 2mm  
B - NBR FLAT GASKET & SCREW + 2mm  
C - WHITE SILICONE PROFILE GASKET & SCREW + 2mm  
G - NO GASKET & STANDARD SCREW  
I - BULK PACK FULLY MOUNTED , NO GASKET  
P - INTEGRATED NBR GASKET & IP67 SCREW ASSEMBLED  
R - INTEGRATED NBR GASKET & IP97 SCREW NOT ASSEMBLED

**NON STANDARD COMPONETS**  
AF - WITH CENTRE SCREW MOUNTED  
14 - SINGLE BAGGED  
SA - UL LISTED  
19 - PIN No.3 NON CONNECTED/REMOVED  
23 - ASSEMBLED SCREWS & GASKET  
10 - SPECIAL GROMMET  
4S - SPECIAL GROMMET  
5A - SINGLED BAGGED 500 IN A BOX  
9V - NO SCREW OR GASKET  
BM - GOLD TERMINALS  
BS - FULLY MOUNTED ALL COMPONENTS  
IN SEPERATE BAGS  
OH - INOX SCREW  
P7 - IP67 COMPLIANT

SYMBOLS	THIS DRAWING CONTAINS INFORMATION THAT IS PROPRIETARY TO MOLEX ELECTRONIC TECHNOLOGIES, LLC AND SHOULD NOT BE USED WITHOUT WRITTEN PERMISSION		CURRENT REV DESC:			<b>molex</b>		
	DIMENSION UNITS	SCALE						
▽ = 0	mm	1:1	EC NO: 707042			PRODUCT CUSTOMER DRAWING		
▽ = 0	GENERAL TOLERANCES (UNLESS SPECIFIED)		DRWN: APAWLAK01 2022/05/17			DOCUMENT NUMBER		
▽ = 0	ANGULAR TOL ± °		CHK'D: RSILLER 2022/05/19			DOC TYPE DOC PART REVISION		
▽ = 0	4 PLACES ±		APPR: RSILLER 2022/05/19			1210230229 PSD 000 A1		
▽ = 0	3 PLACES ±		INITIAL REVISION:			MATERIAL NUMBER		
▽ = 0	2 PLACES ± 0.1		DRWN: SSM 2019/01/09			CUSTOMER		
▽ = 0	1 PLACE ± 0.2		APPR: RSILLER 2019/01/15			SERIES		
▽ = 0	0 PLACES ±		DRAFT WHERE APPLICABLE MUST REMAIN WITHIN DIMENSIONS			THIRD ANGLE PROJECTION		
□ = 0			DRAWING			SHEET NUMBER		
▽ = 0			A3-SIZE			2 OF 2		

ITEM	DESCRIPTION
1	SCREW
2	COVER ASSEMBLY
3	INSERT ASSEMBLY
4	GASKET

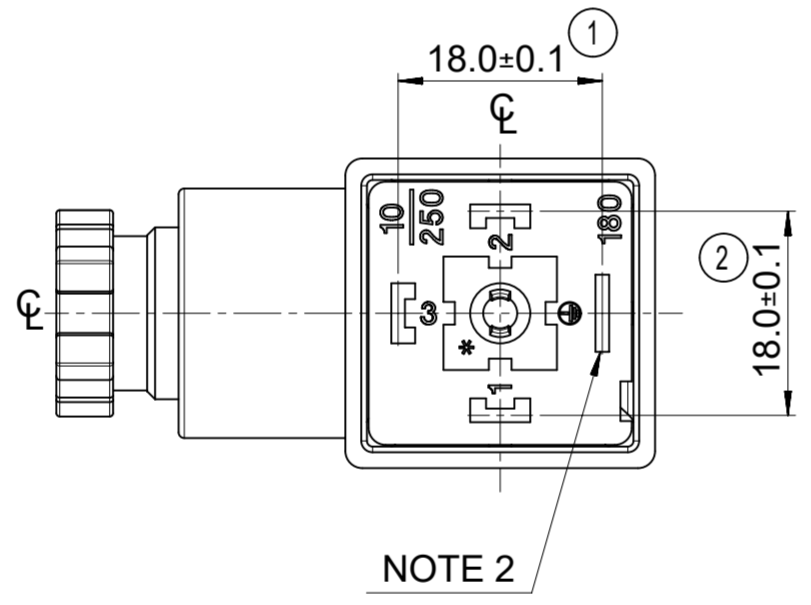
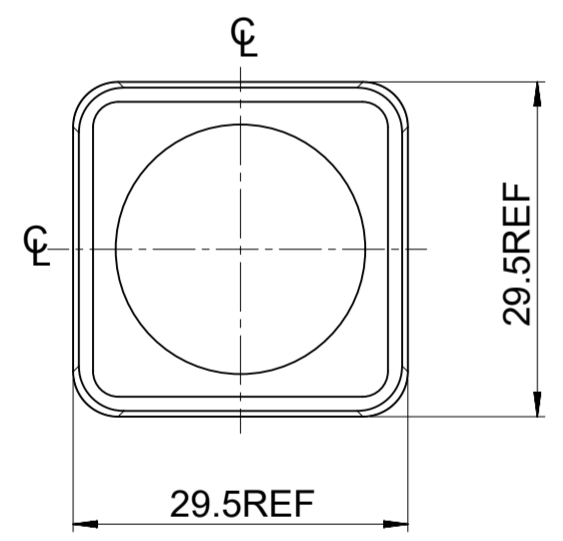
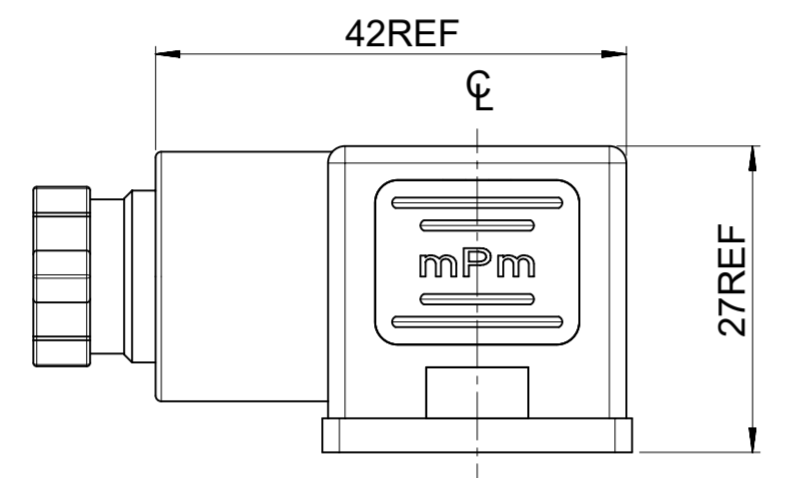
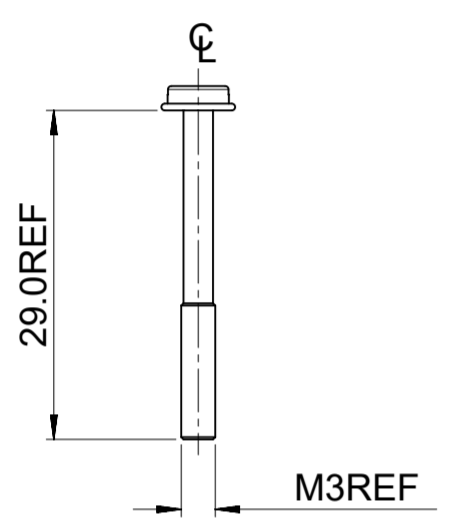


# C18209N21\*\*

SERIES \_\_\_\_\_  
 C18= INTERNAL THREAD FORM A  
 POLES \_\_\_\_\_  
 2= 2 POLE & 3= 3 POLE  
 THREAD SIZE \_\_\_\_\_  
 09= PG9, 11= PG11, M6= M16x1.5, M0= M20x1.5, 12= 1/2" GAS, 13= 1/2" NPTF  
 39= PG9 W/STRAIN RELIEF, 41= PG11 W/STRAIN RELIEF  
 MATERIAL AND HOUSING COLOUR \_\_\_\_\_  
 G = PA6 GRAY, H= PA6 HEAT PROTECTION,  
 N= PA6 BLACK, W= PA66 BLACK V0, T= TRANSPARENT  
 GROUND POSITION \_\_\_\_\_  
 0= UNMOUNTED, 2= H12, 3= H3, 6= H6 & 9= H9

SCREW AND GASKET \_\_\_\_\_  
 1= NBR PROFILE GASKET & SCREW  
 2= NBR FLAT GASKET & SCREW  
 3= WHITE SILICONE PROFILE GASKET & SCREW  
 4= WHITE SILICONE FLAT GASKET & SCREW  
 5= NBR PROFILE GASKET, NO SCREW  
 9= NO GASKET, NO SCREW  
 0= NO GASKET, NO SCREW  
 A= NBR PROFILE GASKET & SCREW +2mm  
 B= NBR FLAT GASKET & SCREW +2mm  
 C= WHITE SILICONE PROFILE GASKET & SCREW +2mm  
 G= NO GASKET & STANDARD SCREW  
 I= BULK PACK FULLY MOUNTED, NO GASKET  
 P= INTEGRATED NBR GASKET & IP67 SCREW ASSEMBLED  
 R= INTEGRATED NBR GASKET & IP67 SCREW NOT ASSEMBLED

NON STANDARD COMPONENTS \_\_\_\_\_  
 14= SINGLE BAG  
 19= PIN NO.3 NON CONNECTED/REMOVED,  
 23= ASSEMBLED SCREWS & GASKET  
 10= SPECIAL GROMMET  
 4S= SPECIAL GROMMET  
 5A= SINGLE BAGGED 500 IN A BOX  
 9V= NO SCREW OR GASKET  
 AF= CENTRE SCREW MOUNTED  
 BM= GOLD TERMINALS  
 BS= FULLY UNMOUNTED ALL COMPONENTS IN SEPARATE BAGS  
 OH= INOX SCREW  
 P7= IP67 COMPLIANT  
 SA= UL LISTED PART



- NOTES**
- PLEASE SEE SHEET 2 FOR CURRENTLY CONFIGURED PART NUMBERS, FOR SPECIFIC PART NUMBERS PLEASE CONTACT SALES OR CONSULT THE INTELLIGENT PART NUMBERS IN THE TABLE ATTACHED
  - EARTH POSITION SHOWN, H12.
  - FOR PACKAGING SEE PACKAGING SPEC PK-121023-C18
  - PRODUCT SPEC: SEE PS-121201-001

LAST INSPECTION NUMBER 2

PRE-RELEASE  
REFERENCE  
USE ONLY

THIS DRAWING CONTAINS INFORMATION THAT IS PROPRIETARY TO MOLEX ELECTRONIC TECHNOLOGIES, LLC AND SHOULD NOT BE USED WITHOUT WRITTEN PERMISSION													
DIMENSION UNITS		SCALE		CURRENT REV DESC: REMOVED OBSOLETE PART NUMBER AS PER PCN#509989.									
mm		1.5:1		EC NO: 708673 DRWN: SANTHN 2022/05/12 CHK'D: GGA 2022/06/22 APPR: GGA 2022/06/22 INITIAL REVISION: DRWN: JOCONNOR 2011/05/04 APPR: EFOLAN 2011/05/24									
GENERAL TOLERANCES (UNLESS SPECIFIED)													
	MM	INCH											
4 PLACES	±		±										
3 PLACES	±		±										
2 PLACES	±	0.1	±										
1 PLACE	±	0.2	±										
0 PLACES	±		±										
ANGULAR TOL		± °		DOCUMENT NUMBER: SD-121023-001 DOC TYPE: PSD DOC PART: 001 REVISION: P1									
DRAFT WHERE APPLICABLE MUST REMAIN WITHIN DIMENSIONS		THIRD ANGLE PROJECTION		DRAWING		SERIES		MATERIAL NUMBER		CUSTOMER		SHEET NUMBER	
				A2-SIZE		121023		SEE TABLE		GENERAL MARKET		1 OF 2	

PART No.	mPm PART No.	DESCRIPTION
1210230229	C18209G21	TYPE A 2P PG9 GRAY, NBR PROFILE GASKET & SCREW
1210230231	C18209G22	TYPE A 2P PG9 GRAY, NBR FLAT GASKET & SCREW
1210230238	C18209N21	TYPE A 2P PG9 BLACK, NBR PROFILE GASKET & SCREW
1210230242	C18209N22	TYPE A 2P PG9 BLACK, NBR FLAT GASKET & SCREW
1210230244	C18209N23	TYPE A 2P PG9 BLACK, WHITE SILICONE PROFILE GASKET & SCREW
1210230245	C18209N24	TYPE A 2P PG9 BLACK, WHITE SILICONE FLAT GASKET & SCREW
1210230246	C18209N25	TYPE A 2P PG9 BLACK, NBR PROFILE GASKET, NO SCREW
1210230249	C18209N2A	TYPE A 2P PG9 BLACK, NBR PROFILE GASKET & SCREW +2mm
1210230251	C18209N31	TYPE A 2P PG9 BLACK, NBR PROFILE GASKET & SCREW
1210230252	C18209N61	TYPE A 2P PG9 BLACK, NBR PROFILE GASKET & SCREW
1210230253	C18209N62	TYPE A 2P PG9 BLACK, NBR FLAT GASKET & SCREW
1210230254	C18209T21	TYPE A 2P PG9 TRANSPARENT, NBR PROFILE GASKET & SCREW
1210230271	C18211G21	TYPE A 2P PG11 GRAY, NBR PROFILE GASKET & SCREW
1210230278	C18211N21	TYPE A 2P PG11 BLACK, NBR PROFILE GASKET & SCREW
1210230282	C18211N23	TYPE A 2P PG11 BLACK, WHITE SILICONE PROFILE GASKET & SCREW
1210230283	C18211N24	TYPE A 2P PG11 BLACK, WHITE SILICONE FLAT GASKET & SCREW
1210230284	C18211N61	TYPE A 2P PG11 BLACK, NBR PROFILE GASKET & SCREW
1210230286	C18211T21	TYPE A 2P PG11 TRANSPARENT, NBR PROFILE GASKET & SCREW
1210230305	C18212N21	TYPE A 2P 1/2" GAS BLACK, NBR PROFILE GASKET & SCREW
1210230315	C18213G21	TYPE A 2P 1/2" NPTF GRAY, NBR PROFILE GASKET & SCREW
1210230319	C18213N21	TYPE A 2P 1/2" NPTF BLACK, NBR PROFILE GASKET & SCREW
1210230328	C18239G21	TYPE A 2P PG9 W/STRAIN RELIEF GRAY, NBR PROFILE GASKET & SCREW
1210230331	C18241N21	TYPE A 2P PG11 W/STRAIN RELIEF BLACK, NBR PROFILE GASKET & SCREW
1210230336	C18309G21	TYPE A 3P PG9 GRAY, NBR PROFILE GASKET & SCREW
1210230337	C18309G22	TYPE A 3P PG9 GRAY, NBR FLAT GASKET & SCREW
1210230341	C18309N21	TYPE A 3P PG9 BLACK, NBR PROFILE GASKET & SCREW
1210230345	C18309N23	TYPE A 3P PG9 BLACK, WHITE SILICONE PROFILE GASKET & SCREW
1210230346	C18309N24	TYPE A 3P PG9 BLACK, WHITE SILICONE FLAT GASKET & SCREW
1210230352	C18309N2G	TYPE A 3P PG9 BLACK, NO GASKET, & STANDARD SCREW
1210230354	C18309N61	TYPE A 3P PG9 BLACK, NBR PROFILE GASKET & SCREW
1210230358	C18309T21	TYPE A 3P PG9 TRANSPARENT, NBR PROFILE GASKET & SCREW
1210230364	C18309W21	TYPE A 3P PG9 BLACK V0, NBR PROFILE GASKET & SCREW
1210230367	C18309W23	TYPE A 3P PG9 BLACK V0, WHITE SILICONE PROFILE GASKET & SCREW
1210230372	C18311G21	TYPE A 3P PG11 GRAY, NBR PROFILE GASKET & SCREW
1210230373	C18311G22	TYPE A 3P PG11 GRAY, NBR FLAT GASKET & SCREW
1210230374	C18311G61	TYPE A 3P PG11 GRAY, NBR PROFILE GASKET & SCREW
1210230377	C18311N21	TYPE A 3P PG11 BLACK, NBR PROFILE GASKET & SCREW
1210230378	C18311N22	TYPE A 3P PG11 BLACK, NBR FLAT GASKET & SCREW
1210230379	C18311N31	TYPE A 3P PG11 BLACK, NBR PROFILE GASKET & SCREW
1210230382	C18311N61	TYPE A 3P PG11 BLACK, NBR PROFILE GASKET & SCREW
1210230384	C18311T21	TYPE A 3P PG11 TRANSPARENT, NBR PROFILE GASKET & SCREW
1210230388	C18311W21	TYPE A 3P PG11 BLACK V0, NBR PROFILE GASKET & SCREW
1210230400	C18312N21	TYPE A 3P 1/2" GAS BLACK, NBR PROFILE GASKET & SCREW
1210230401	C18312N22	TYPE A 3P 1/2" GAS BLACK, NBR FLAT GASKET & SCREW
1210230410	C18313G21	TYPE A 3P 1/2" NPTF GRAY, NBR PROFILE GASKET & SCREW
1210230414	C18313N21	TYPE A 3P 1/2" NPTF BLACK, NBR PROFILE GASKET & SCREW
1210230415	C18313N22	TYPE A 3P 1/2" NPTF BLACK, NBR FLAT GASKET & SCREW
1210230421	C18339N23	TYPE A 3P PG9 W/STRAIN RELIEF BLACK, WHITE SILICONE PROFILE GASKET & SCREW
1210230422	C18339N2C	TYPE A 3P PG9 W/STRAIN RELIEF BLACK, WHITE SILICONE PROFILE GASKET, & SCREW +2mm
1210230645	C183M6N21	TYPE A 3P M16x1.5 BLACK, NBR PROFILE GASKET & SCREW
1210230656	C183M6G21	TYPE A 3P M16x1.5 GRAY, NBR PROFILE GASKET & SCREW
1210230660	C183M0N21	TYPE A 3P M20x1.5 BLACK, NBR PROFILE GASKET & SCREW
1210230662	C182MON21	TYPE A 2P M20x1.5 BLACK, NBR PROFILE GASKET & SCREW
1210230677	C182M6N21	TYPE A 2P M16x1.5 BLACK, NBR PROFILE GASKET & SCREW
1210230704	C182M6N22	TYPE A 2P M16x1.5 BLACK, NBR FLAT GASKET & SCREW
1210230718	C182M6G21	TYPE A 2P M16x1.5 GRAY, NBR PROFILE GASKET & SCREW
1210230741	C183M0N2G	TYPE A 3P M20x1.5 BLACK, NO GASKET, & STANDARD SCREW
1210230763	C18311W2G	TYPE A 3P PG11 BLACK V0, NO GASKET, & STANDARD SCREW
1210230768	C18213T22	TYPE A 2P 1/2" NPTF TRANSPARENT, NBR FLAT GASKET & SCREW
1210230780	C18312N23	TYPE A 3P 1/2" GAS BLACK, WHITE SILICONE PROFILE GASKET & SCREW
1210230793	C18309N2A	TYPE A 3P PG9 BLACK, NBR PROFILE GASKET & SCREW +2mm

PART No.	mPm PART No.	DESCRIPTION
1210230800	C18209G2B	TYPE A 2P PG9 GRAY, NBR FLAT GASKET, & SCREW +2mm
1210230803	C182MON2A	TYPE A 2P M20x1.5 BLACK, NBR PROFILE GASKET & SCREW +2mm
1210230807	C18309N2R	TYPE A 3P PG9 BLACK, INTEGRATED NBR GASKET & IP67 SCREW NOT ASSEMBLED
1210230825	C182M6N2P	TYPE A 2P M16x1.5 BLACK, INTEGRATED NBR GASKET & IP67 SCREW ASSEMBLED
1210230833	C18211G2A	TYPE A 2P PG11 GRAY, NBR PROFILE GASKET & SCREW +2mm
1210230841	C182M0G21	TYPE A 2P M20x1.5 GRAY, NBR PROFILE GASKET & SCREW
1210240268	C18311N2G	TYPE A 3P PG11 BLACK, NO GASKET, & STANDARD SCREW
1210240370	C18211N2A	TYPE A 2P PG11 BLACK, NBR PROFILE GASKET & SCREW +2mm
1210240940	C18209N20	TYPE A 2P PG9 BLACK, NO GASKET, NO SCREW
1210240133	C18209N210H	TYPE A 2P PG9 BLACK, NBR PROFILE GASKET, STAINLESS STEEL SCREW
1210240154	C18209N220H	TYPE A 2P PG9 BLACK, NBR FLAT GASKET, STAINLESS STEEL SCREW
1210240378	C18311N210H	TYPE A 3P PG11 BLACK, NBR PROFILE GASKET, STAINLESS STEEL SCREW
1210240139	C18209N2114	TYPE A 2P PG9 BLACK, NBR PROFILE GASKET & SCREW IN NEUTRAL BAG
1210240156	C18209N2214	TYPE A 2P PG9 BLACK, NBR FLAT GASKET & SCREW IN NEUTRAL BAG
1210240224	C18309N2114	TYPE A 3P PG9 BLACK, NBR PROFILE GASKET & SCREW IN NEUTRAL BAG
1210240755	C18309N2R19	TYPE A 3P PG9 BLACK, INTEGRATED NBR GASKET & IP67 SCREW NOT ASSEMBLED W/O PIN No. 3
1210240227	C18309N211O	TYPE A 3P PG9 BLACK, NBR PROFILE GASKET & SCREW, WITH SPECIAL GROMMET
1210240185	C18211G2123	TYPE A 2P PG11 GRAY, NBR PROFILE GASKET & SCREW, FULLY MOUNTED
1210240271	C18311N614S	TYPE A 3P PG11 BLACK, NBR PROFILE GASKET & SCREW, WITH SPECIAL GROMMET
1210240265	C18311N215A	TYPE A 3P PG11 BLACK, NBR PROFILE GASKET & SCREW, SINGLE BAGGED, 500 IN A BOX
1210230350	C18309N299V	TYPE A 3P PG9 BLACK, NO GASKET, NO SCREW
1210240167	C18209N299V	TYPE A 2P PG9 BLACK, NO GASKET, NO SCREW
1210230232	C18209G22AF	TYPE A 2P PG9 GRAY, NBR FLAT GASKET WITH SCREW MOUNTED
1210230243	C18209N22AF	TYPE A 2P PG9 BLACK, NBR FLAT GASKET WITH SCREW MOUNTED
1210230274	C18211G22AF	TYPE A 2P PG11 GRAY, NBR FLAT GASKET WITH SCREW MOUNTED
1210230281	C18211N22AF	TYPE A 2P PG11 BLACK, NBR FLAT GASKET WITH SCREW MOUNTED
1210230648	C18309N31AF	TYPE A 3P PG9 BLACK, NBR PROFILE GASKET WITH SCREW MOUNTED
1210230678	C183M0N31AF	TYPE A 3P M20x1.5 BLACK, NBR PROFILE GASKET WITH SCREW MOUNTED
1210230696	C183M6N21AF	TYPE A 3P M16x1.5 BLACK, NBR PROFILE GASKET WITH SCREW MOUNTED
1210230801	C183M6N22AF	TYPE A 3P M16x1.5 BLACK, NBR FLAT GASKET WITH SCREW MOUNTED
1210230728	C18209N21BS	TYPE A 2P PG9 BLACK, NBR PROFILE GASKET & SCREW, FULLY UNMOUNTED
1210230240	C18209N21P7	TYPE A 2P PG9 BLACK, NBR PROFILE GASKET & SCREW, IP67 COMPLIANT
1210230272	C18211G21P7	TYPE A 2P PG11 GRAY, NBR PROFILE GASKET IP67 COMPLIANT
1210230279	C18211N21P7	TYPE A 2P PG11 BLACK, NBR PROFILE GASKET & SCREW, IP67 COMPLIANT
1210230725	C18309N21P7	TYPE A 3P PG9 BLACK, NBR PROFILE GASKET & SCREW, IP67 COMPLIANT
1210230731	C18312N21P7	TYPE A 3P 1/2" GAS BLACK, NBR PROFILE GASKET & SCREW IP67 COMPLIANT
1210230732	C18209G21P7	TYPE A 2P PG9 GRAY, NBR PROFILE GASKET & SCREW IP67 COMPLIANT
1210230843	C183M6N21P7	TYPE A 3P M16x1.5 BLACK, NBR PROFILE GASKET & SCREW IP67 COMPLIANT
1210230849	C18309N2I	TYPE A 3P PG9 BLACK, BULK PACK FULLY MOUNTED, NO GASKET
1210230739	C18311W21SA	TYPE A 3P PG11 BLACK V0, NBR PROFILE GASKET & SCREW, UL LISTED
1210230851	C182M6W21SA	TYPE A 2P M16x1.5 BLACK V0, NBR PROFILE GASKET UL LISTED
1210230853	C18311N21P7	TYPE A 3P PG11 BLACK, NBR PROFILE GASKET & SCREW, IP67 COMPLIANT
1210230854	C18309W2PSA14	TYPE A 3P PG9 BLACK V0, NBR PROFILE GASKET & SCREW, UL LISTED, IP67 COMPLIANT, SINGLE BAGGED
1210230855	C183M0W31AFSA	TYPE A 3P M20x1.5 BLACK V0, NBR PROFILE GASKET WITH SCREW MOUNTED, UL LISTED
1210230657	C18309W21SA	TYPE A 3P PG9 BLACK V0, NBR PROFILE GASKET & SCREW, UL LISTED
1210230809	C18211W21SA	TYPE A 2P PG11 BLACK V0, NBR PROFILE GASKET & SCREW, UL LISTED
1210230861	C18211W23SA	TYPE A 2P PG11 BLACK V0, WHITE SILICONE PROFILE GASKET & SCREW, UL LISTED
1210230344	C18309N22	TYPE A 3P PG9 BLACK PA6, H12, NBR FLAT GASKET & SCREW
1210230862	C18313T22	TYPE A 3P 1/2" NPTF TRANSPARENT, NBR FLAT GASKET & SCREW
1210230870	C18309G21SA	TYPE A 3P PG9 GRAY, NBR PROFILE GASKET & SCREW, UL LISTED
1210230674	C18209W21SA	TYPE A 2P PG9 BLACK, NBR PROFILE GASKET & SCREW, UL LISTED

PRE-RELEASE  
REFERENCE  
USE ONLY

THIS DRAWING CONTAINS INFORMATION THAT IS PROPRIETARY TO MOLEX ELECTRONIC TECHNOLOGIES, LLC AND SHOULD NOT BE USED WITHOUT WRITTEN PERMISSION									
DIMENSION UNITS		SCALE		CURRENT REV DESC: REMOVED OBSOLETE PART NUMBER AS PER PCN#509989.					
mm		2:1		 <p>C18 SERIES INTERNAL THREAD</p> <p>PRODUCT CUSTOMER DRAWING</p> <p>DOCUMENT NUMBER: SD-121023-001   DOC TYPE: PSD   DOC PART: 001   REVISION: P1</p>					
GENERAL TOLERANCES (UNLESS SPECIFIED)									
	MM	INCH							
4 PLACES	±								
3 PLACES	±								
2 PLACES	± 0.1								
1 PLACE	± 0.2								
0 PLACES	±								
ANGULAR TOL		± °		EC NO: 708673		DRWN: SANTHN		2022/05/12	
				CHK'D: GGA		APPR: GGA		2022/06/22	
DRAFT WHERE APPLICABLE MUST REMAIN WITHIN DIMENSIONS		THIRD ANGLE PROJECTION		DRAWING		SERIES		MATERIAL NUMBER	
				A2-SIZE		121023		SEE TABLE	
				CUSTOMER		GENERAL MARKET		SHEET NUMBER	
								2 OF 2	