

# Panel feed-through - SACC-DSI-M12FS-5CON-PG9-L180 - 1409463

Please be informed that the data shown in this PDF Document is generated from our Online Catalog. Please find the complete data in the user's documentation. Our General Terms of Use for Downloads are valid (<http://phoenixcontact.com/download>)



Sensor/actuator flush-type male connector, 5-pos., M12 standard thread, A-coded, rear/screw mounting with Pg9 thread, with straight solder connection

## Your advantages

- Easy PCB assembly: one-piece connectors for wave soldering
- All standard pin assignments and codings for signal, data, and power transmission with a uniform design-in design



## Key Commercial Data

Packing unit	20 pc
Minimum order quantity	200 pc
GTIN	
GTIN	4046356893558

## Technical data

### Ambient conditions

Degree of protection	IP65/IP67
----------------------	-----------

### General

Note	The electrical and mechanical data specified assume that the connector pair is correctly locked and mounted. If the connector is unlocked and if there is a danger of contamination, the connector must be sealed using a protective cap > IP54. Influences arising from litz wires, cables or PCB assembly must also be taken into consideration.
Rated current at 40°C	4 A
Rated voltage	60 V
Number of positions	5
Standards/regulations	M12 connector IEC 61076-2-101
Overvoltage category	II
Degree of pollution	3

### Material

Flammability rating according to UL 94	V0
--	----

## Panel feed-through - SACC-DSI-M12FS-5CON-PG9-L180 - 1409463

### Technical data

#### Cable

Standards/specifications	M12 connector IEC 61076-2-101
--------------------------	-------------------------------

#### Standards and Regulations

Standard designation	M12 connector
Standards/regulations	IEC 61076-2-101
Flammability rating according to UL 94	V0

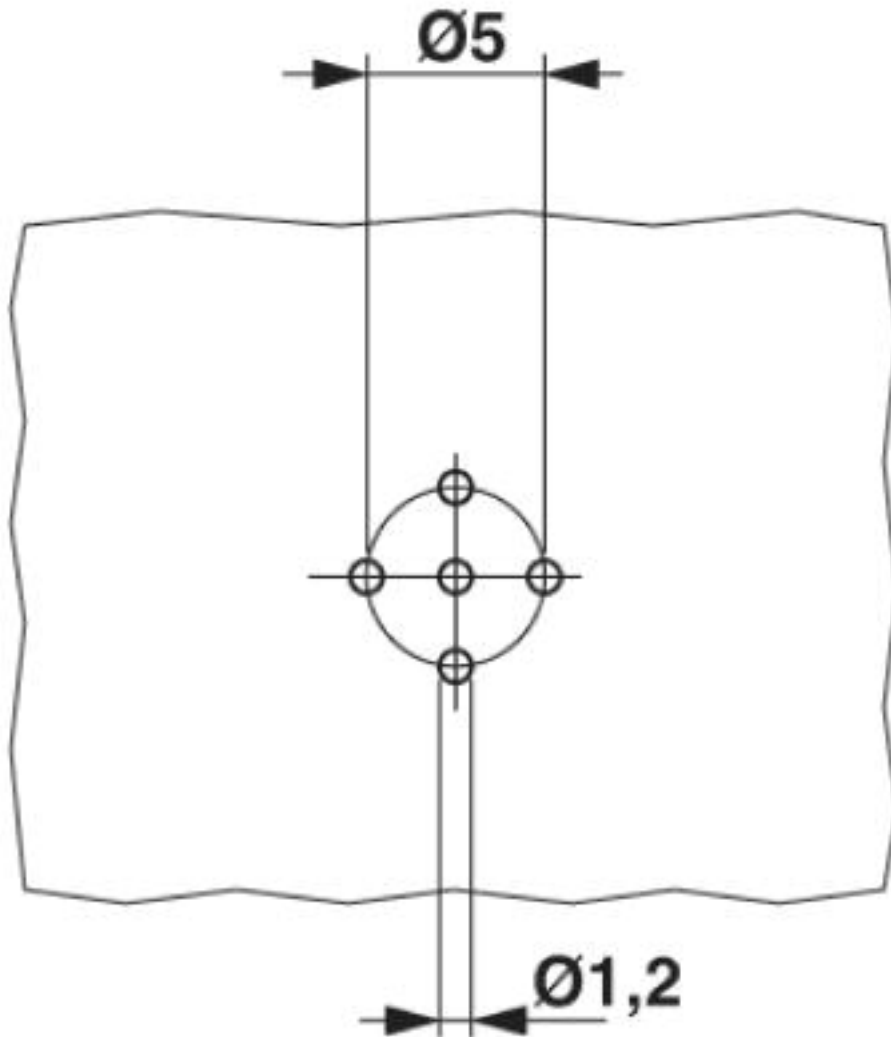
#### Environmental Product Compliance

REACH SVHC	Lead 7439-92-1
China RoHS	Environmentally Friendly Use Period = 50
	For details about hazardous substances go to tab "Downloads", Category "Manufacturer's declaration"

### Drawings

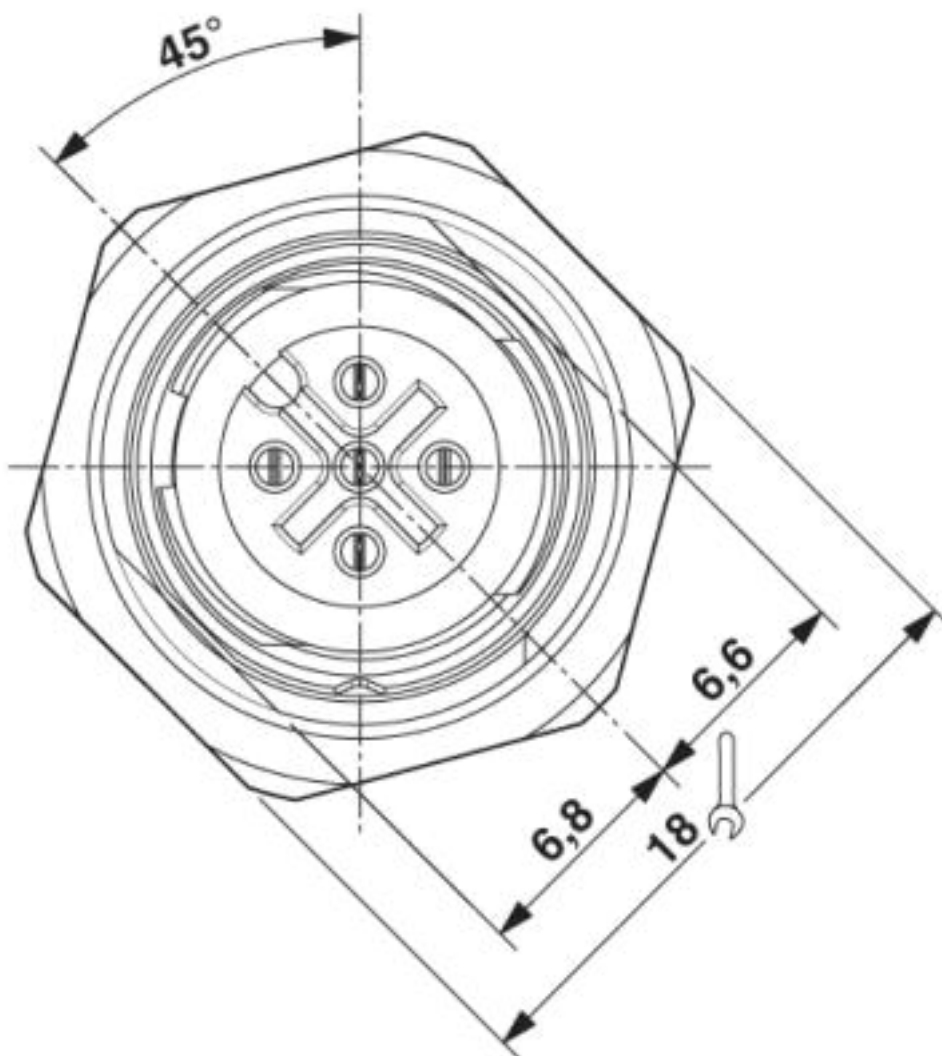
# Panel feed-through - SACC-DSI-M12FS-5CON-PG9-L180 - 1409463

Drilling diagram



# Panel feed-through - SACC-DSI-M12FS-5CON-PG9-L180 - 1409463

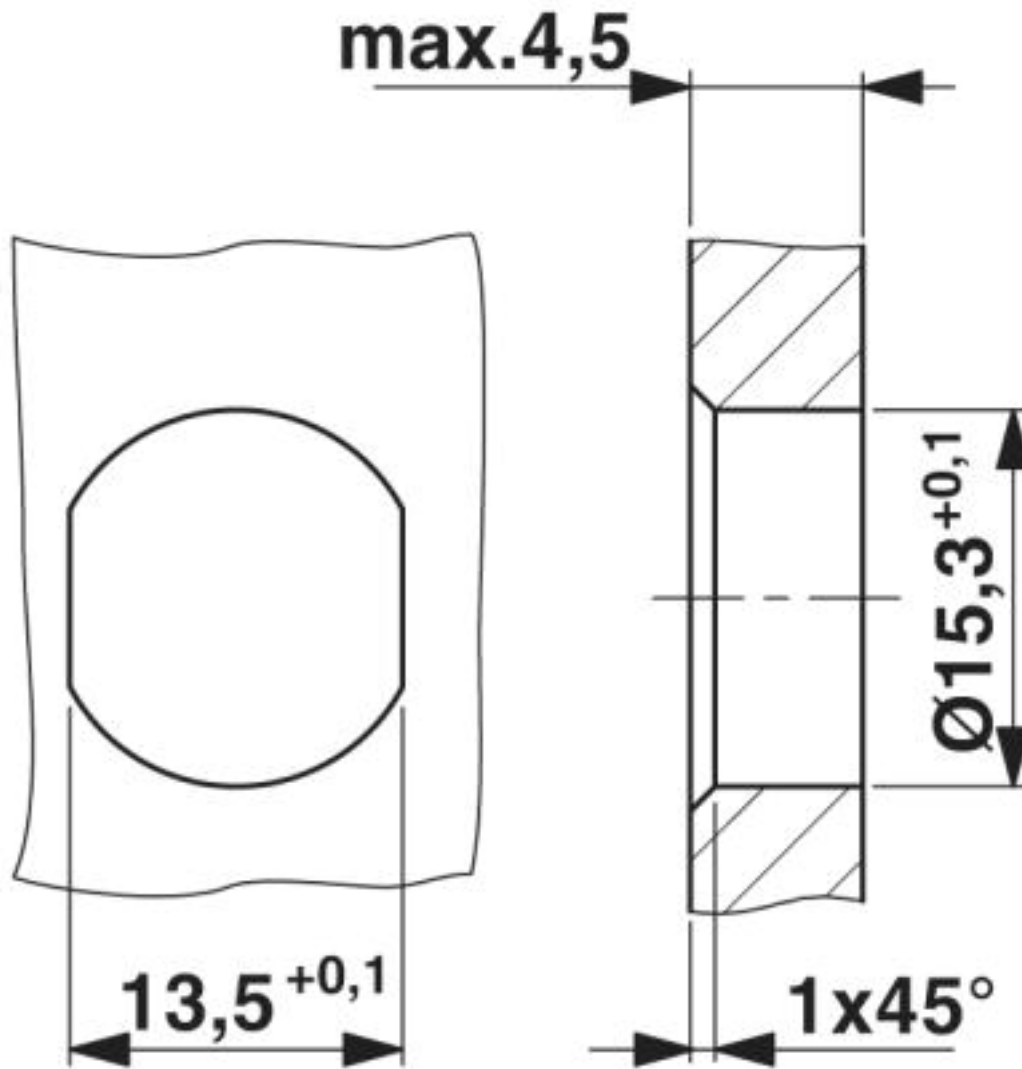
Dimensional drawing



M12 front view

# Panel feed-through - SACC-DSI-M12FS-5CON-PG9-L180 - 1409463

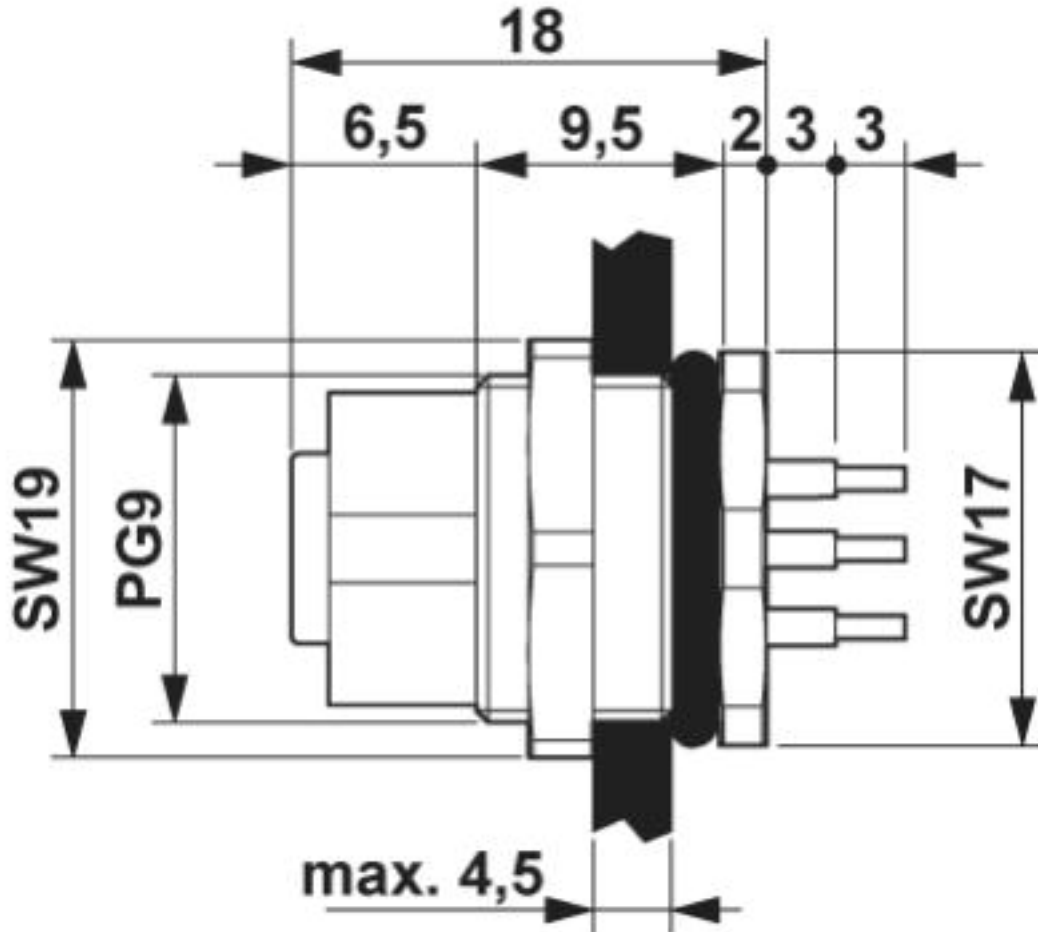
Dimensional drawing



Housing cutout for Pg9 fastening thread, mounting panel with feed-through hole (alternatively with area as anti-rotation protection for panel thicknesses > 2 mm up to max. 4.5 mm)

# Panel feed-through - SACC-DSI-M12FS-5CON-PG9-L180 - 1409463

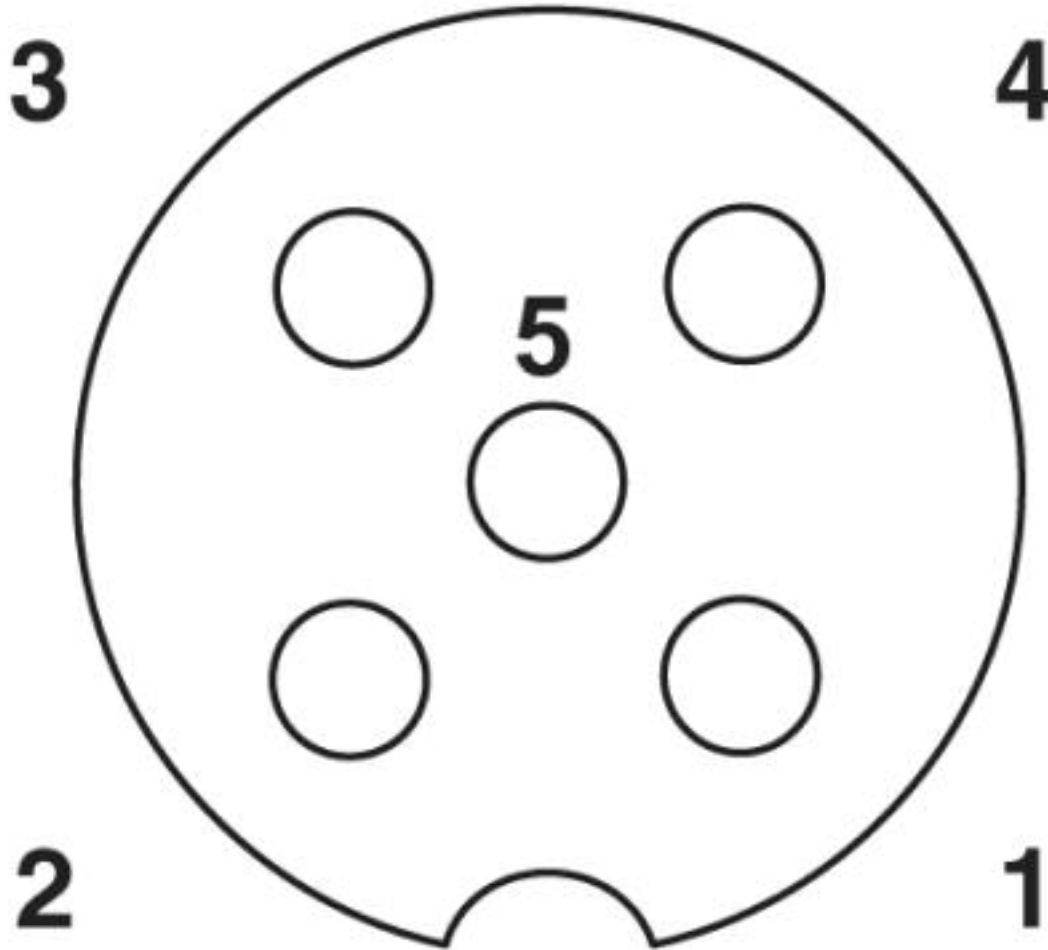
Dimensional drawing



M12 flush-type connector

# Panel feed-through - SACC-DSI-M12FS-5CON-PG9-L180 - 1409463

Schematic diagram



Pin assignment M12 socket, 5-pos., A-coded, socket side view

## Approvals

Approvals

---

Approvals

EAC

---

Ex Approvals

---

## Approval details

## Panel feed-through - SACC-DSI-M12FS-5CON-PG9-L180 - 1409463

### Approvals

EAC



B.01742

Phoenix Contact 2019 © - all rights reserved  
<http://www.phoenixcontact.com>

PHOENIX CONTACT GmbH & Co. KG  
Flachsmarktstr. 8  
32825 Blomberg  
Germany  
Tel. +49 5235 300  
Fax +49 5235 3 41200  
<http://www.phoenixcontact.com>