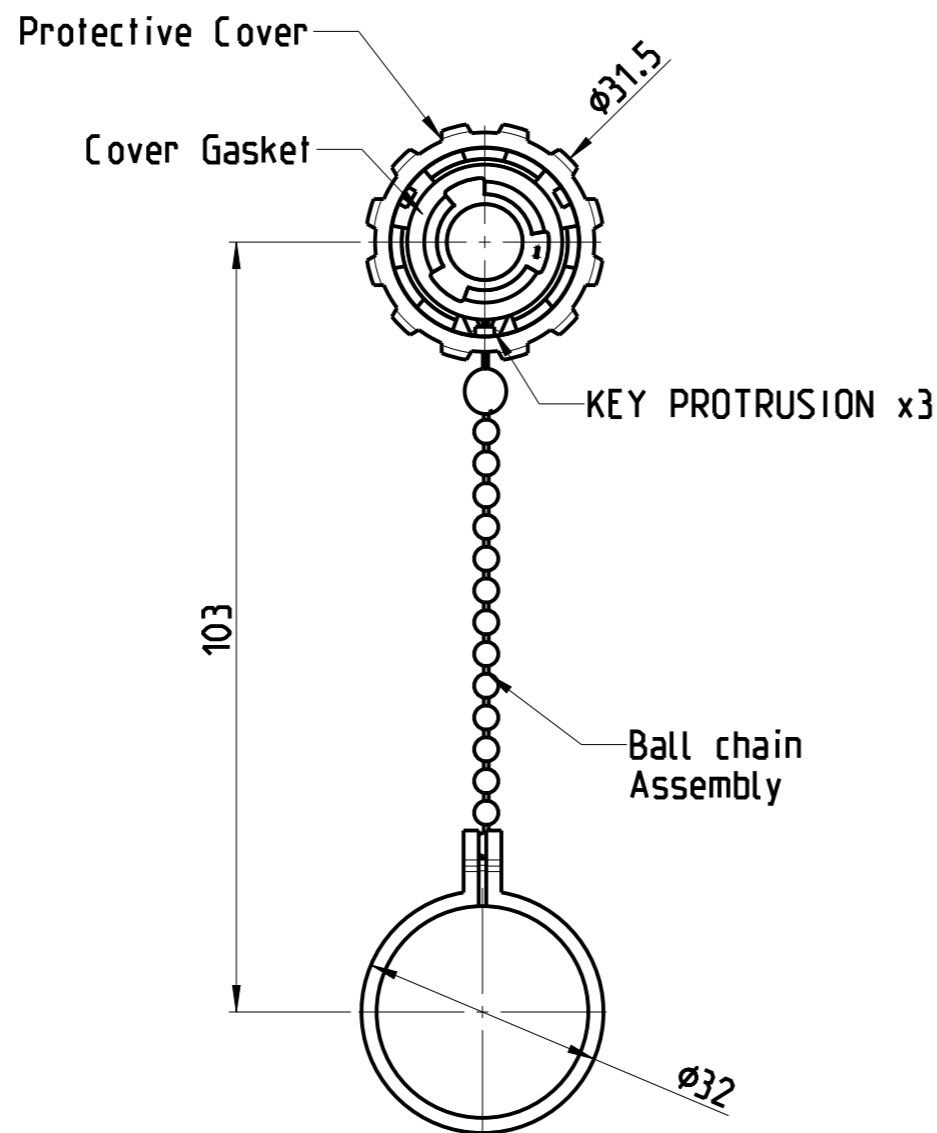


REVISIONS

P	LTR	DESCRIPTION	DATE	DWN	APVD
1		PRELIMINARY DRAWING	12MAY2021	NM	JDB
A		GTP ECN-21-106099	14 JUN2021	NM	JDB



1SET316006R0000 AS SHOWN

Notes:

1. Material and Finish:
 - Protective Cover: Zinc Die-Cast, Nickel Plated
 - Cover Gasket: Silicon, Color: Transparent
 - Ball Chain Assembly, Copper Alloy and Stainless steel, Nickel Plated

2. Operating Temperature: -40°C to +85°C
3. IP67 rated when fully mated with the appropriate connector
4. RoHS compliant
5. Packaging Spec: 107-19763

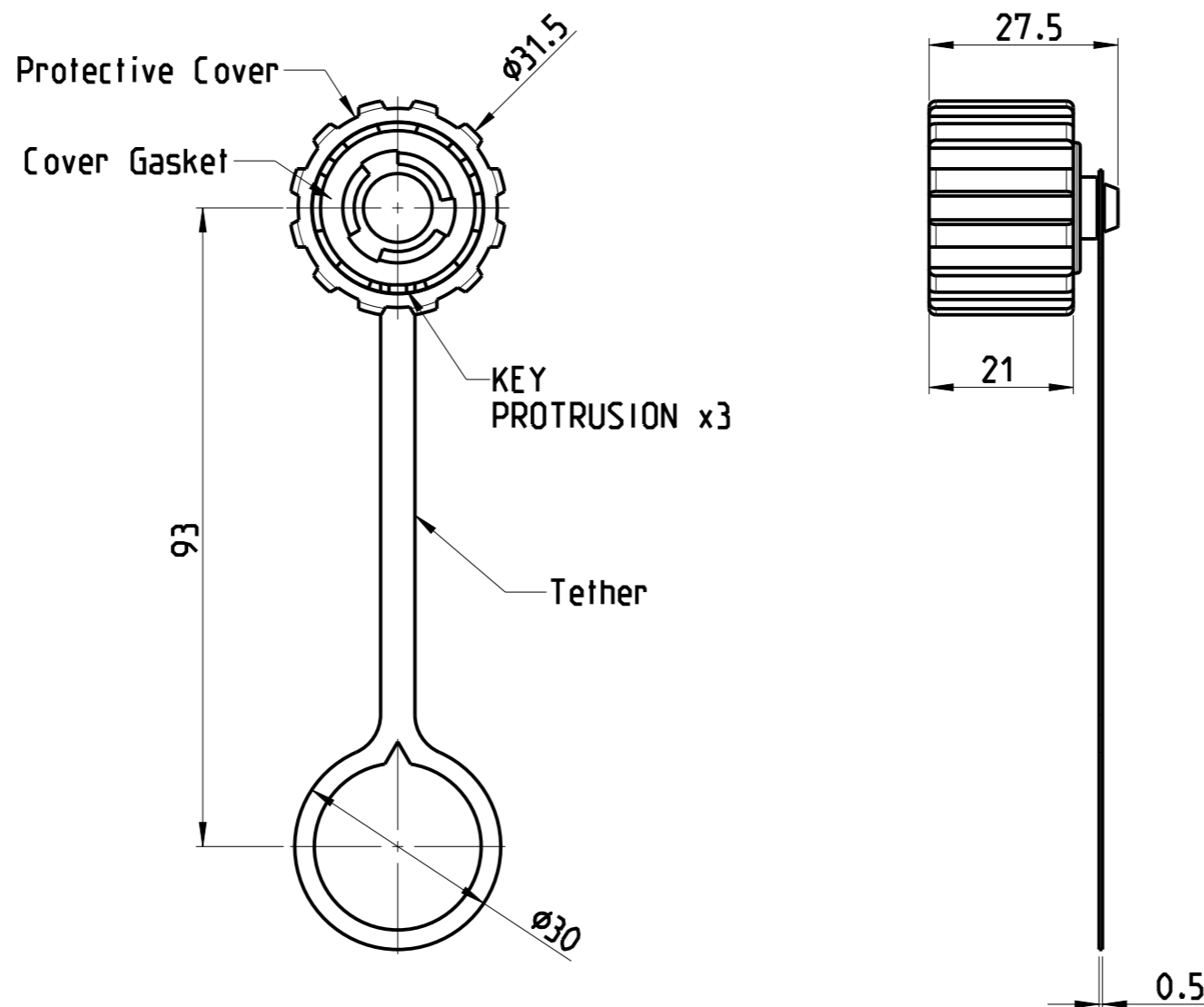
6. Material and Finish:
 - Protective Cover: PBT UL 94 V-0, black
 - Cover Gasket: Silicon, Color: Transparent
 - Tether: PE black

E81956	6	2355444-2	1SET316002R0000
E81956	1	2355444-1	1SET316006R0000
UL NO.	MATERIAL	TEPN	ENTRELEC PN

THIS DRAWING IS A CONTROLLED DOCUMENT.		DWN N.MANTIKOU 12MAY2021		ENTRELEC Electrical Solutions	
DIMENSIONS: mm		CHK B.PENG 12MAY2021			
TOLERANCES UNLESS OTHERWISE SPECIFIED:		APVD J.D. BRULIN 12MAY2021		NAME PROTECTIVE COVER ASSEMBLY KIT	
0 PLC ±0.50		PRODUCT SPEC		-	
1 PLC ±0.38		APPLICATION SPEC		-	
2 PLC ±0.25		114-19162		SIZE CAGE CODE DRAWING NO RESTRICTED TO	
3 PLC ±0.10		WEIGHT		A3 00779 C-1SET316002R0000 -	
4 PLC ±		CUSTOMER DRAWING		SCALE 1:1 SHEET 1 OF 2 REV A	
ANGLES ±3°		SEE TABLE			
FINISH		SEE TABLE			
MATERIAL		SEE TABLE			

REVISIONS

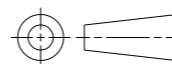
P	LTR	DESCRIPTION	DATE	DWN	APVD
-		SEE SHEET 1	-	-	-



1SET316002R0000 AS SHOWN

THIS DRAWING IS A CONTROLLED DOCUMENT.

DIMENSIONS:
mm



TOLERANCES UNLESS OTHERWISE SPECIFIED:

0 PLC	±0.50
1 PLC	±0.38
2 PLC	±0.25
3 PLC	±0.10
4 PLC	±
ANGLES	±3°

MATERIAL
SEE TABLE

FINISH
SEE TABLE

DWN N.MANTIKOU 12MAY2021

CHK B.PENG 12MAY2021

APVD J.D. BRULIN 12MAY2021

PRODUCT SPEC

-

APPLICATION SPEC

114-19162

WEIGHT

-

ENTRELEC
Electrical Solutions

NAME
PROTECTIVE COVER ASSEMBLY KIT

-

-

SIZE CAGE CODE DRAWING NO RESTRICTED TO

A3 00779 C-1SET316002R0000 -

CUSTOMER DRAWING

SCALE 1:1 SHEET 2 OF 2 REV A