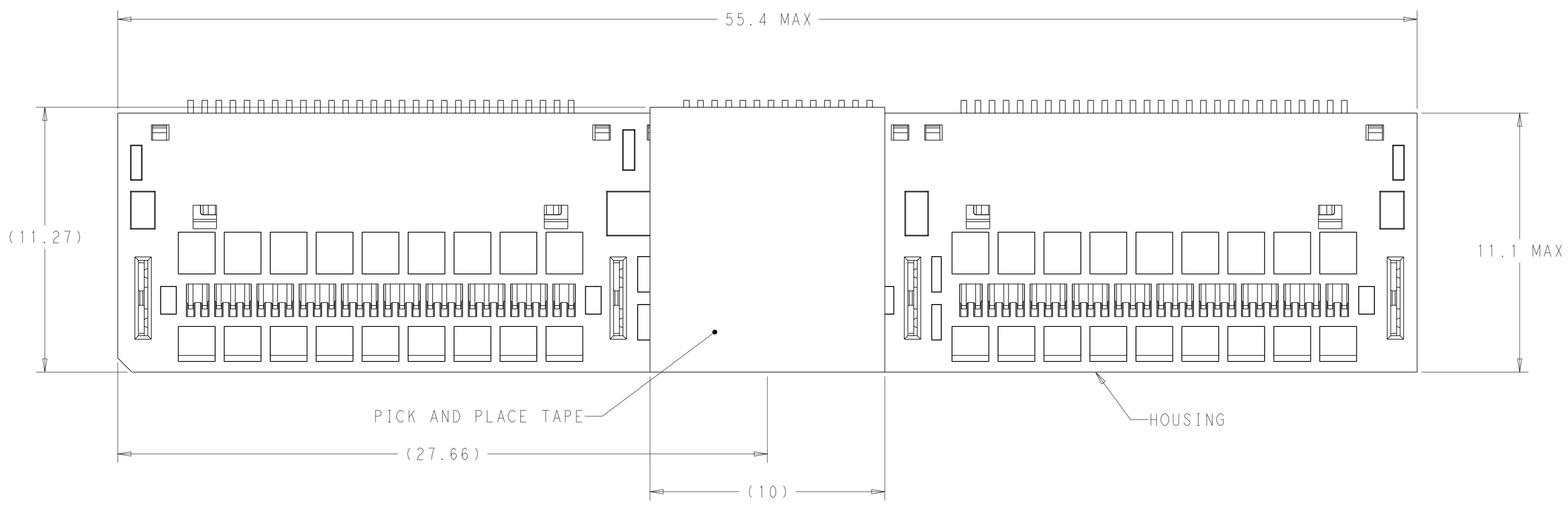
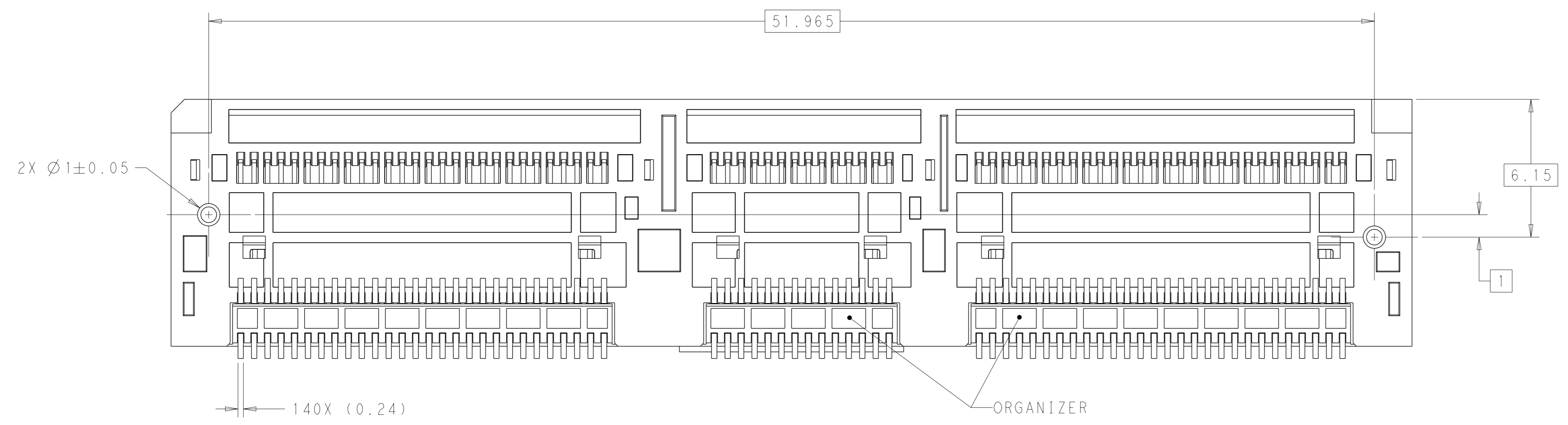
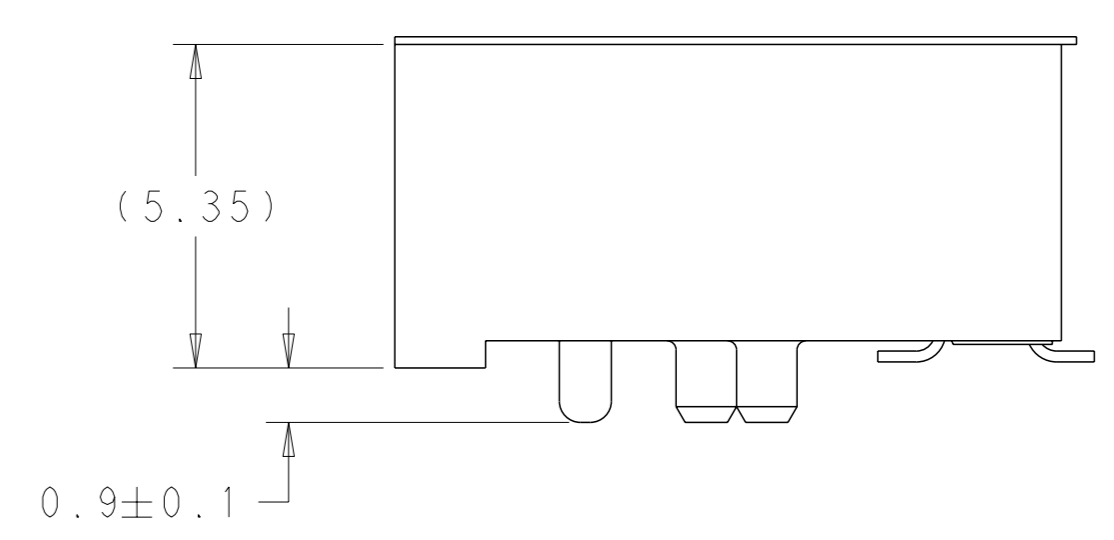
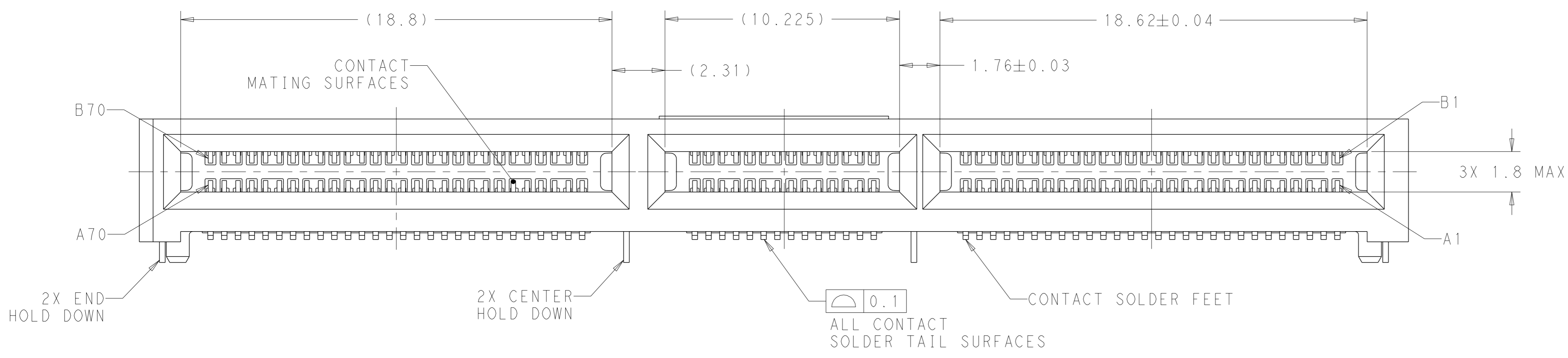


REVISIONS				
#	LY#	DESCRIPTION	DATE	APVD
A		RELEASED	15MAY2019	CJV JW
B		REVISED PER ECO-19-011736	06AUG2019	AP JW
C		REVISED PER ECN-21-126523	14MAR2022	TX DZ



- 1 HOUSING, ORGANIZER, CONTACT OVERMOLDS - LCP, UL94-V0, BLACK. CONTACTS AND HOLD DOWNS - COPPER ALLOY. PICK AND PLACE TAPE - POLYIMIDE FILM.
- 2 CONTACTS - GOLD PLATE ON MATING SURFACES, TIN PLATE ON SOLDER FEET. HOLD DOWNS - TIN PLATE.
- 3 DATUMS AND BASIC DIMENSIONS ESTABLISHED BY CUSTOMER.
- 4. MINIMUM HOST PCB THICKNESS: 1.5.
- 5 SEE MSA SPECIFICATION FOR ADDITIONAL PADDLE CARD LAYOUTS COMPATIBLE WITH THIS RECEPTACLE AND FOR OPTIONAL SPLIT CONTACT PAD LAYOUTS FOR THE PADDLE CARD. SPECIFICATION PINOUT MAY ALSO DESIGNATE PAD SEQUENCE DIFFERENT FROM ILLUSTRATION.
- 6 POSITIONS DESIGNATED AS "SIGNAL" ARE REQUIRED LOCATIONS FOR HIGH SPEED DIFFERENTIAL PAIR SIGNALING. THESE LOCATIONS MAY ALSO BE USED FOR SUPPORTING SIDEBAND SIGNALS OR OTHER UTILITY PURPOSES. POSITIONS DESIGNATED AS "GROUND" ARE REQUIRED WHEN SUPPORTING HIGH SPEED DIFFERENTIAL SIGNALS. THESE LOCATIONS MAY ALSO BE USED FOR SIDEBAND SIGNALS OR OTHER UTILITY PURPOSES.
- 7 COMPONENT AND TRACE KEEP OUT AREA. EACH EDGE 0.15 MIN FROM EDGE OF HOLE.
- 8 TAPE AND REEL PACKAGED FOR PICK AND PLACE SMT PROCESSING, SEE FIGURE 1. POCKET TAPE WIDTH = 72.

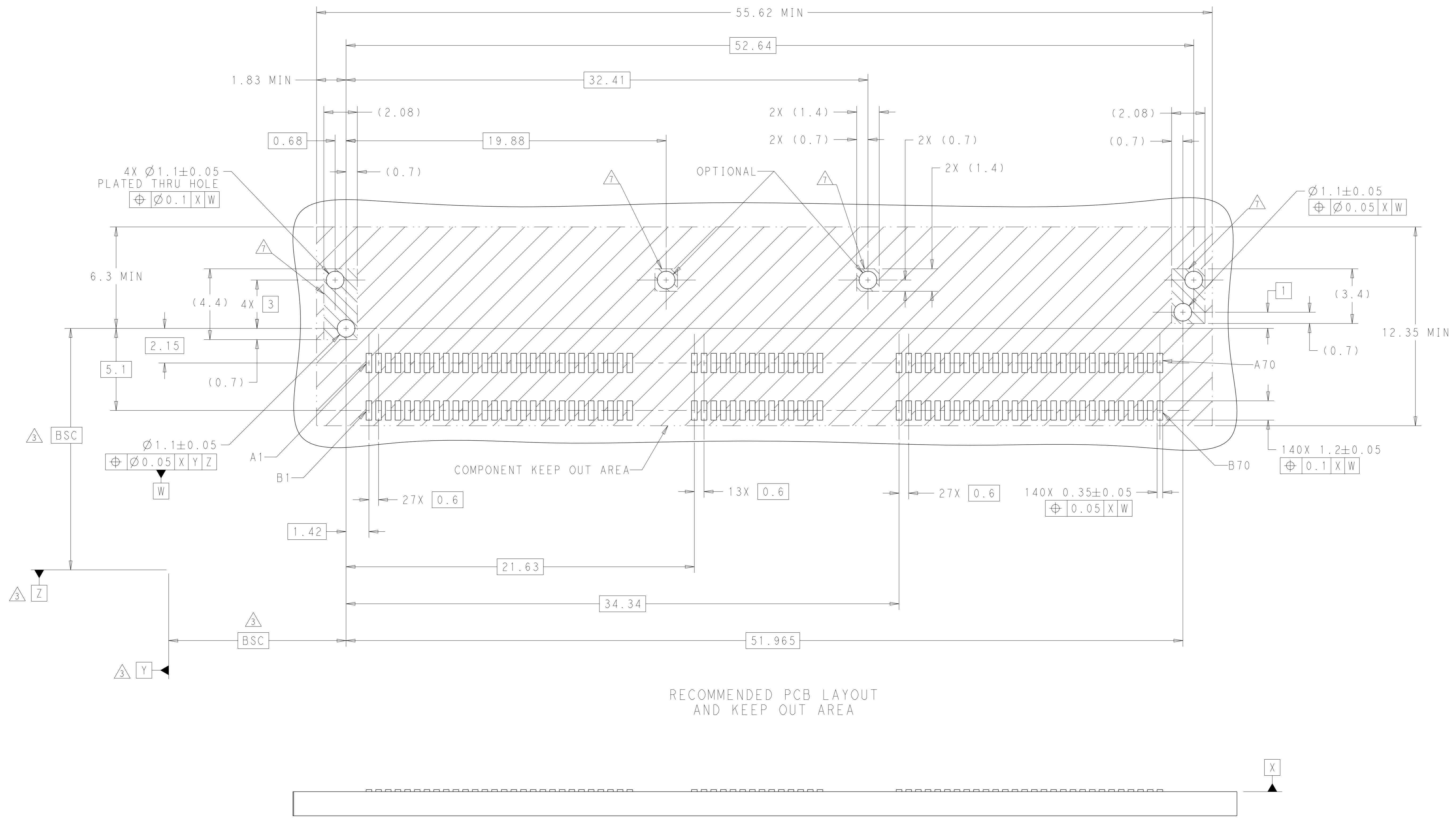


SEE SHEET 4 FOR PART TABLE

THIS DRAWING IS A CONTROLLED DOCUMENT.		OWN: M. SHIRK 22FEB2018	TE Connectivity
DIMENSIONS: mm		CHK: D. HARMON 22FEB2018	
TOLERANCES UNLESS OTHERWISE SPECIFIED:		APVD: D. HARMON 22FEB2018	NAME: RECEPTACLE ASSEMBLY, RIGHT ANGLE, 140 POSITION, SILVER 2.0
0 PLC ±	1 PLC ±	PRODUCT SPEC	SIZE: 108-130021
2 PLC ±	3 PLC ±	APPLICATION SPEC	SCALE: 1:1
4 PLC ±	ANGLES FINISH ±	114-130008	SHEET 1 OF 4
MATERIAL	FINISH	WEIGHT	REV C
CUSTOMER DRAWING		A1 00779C=2327670	

Printed on 15 Mar 2022 23:50:50 (China Standard Time) from F6004316

REVISIONS				
#	LY#	DESCRIPTION	DATE	OWN / APVD
-	-	SEE SHEET 1	-	-

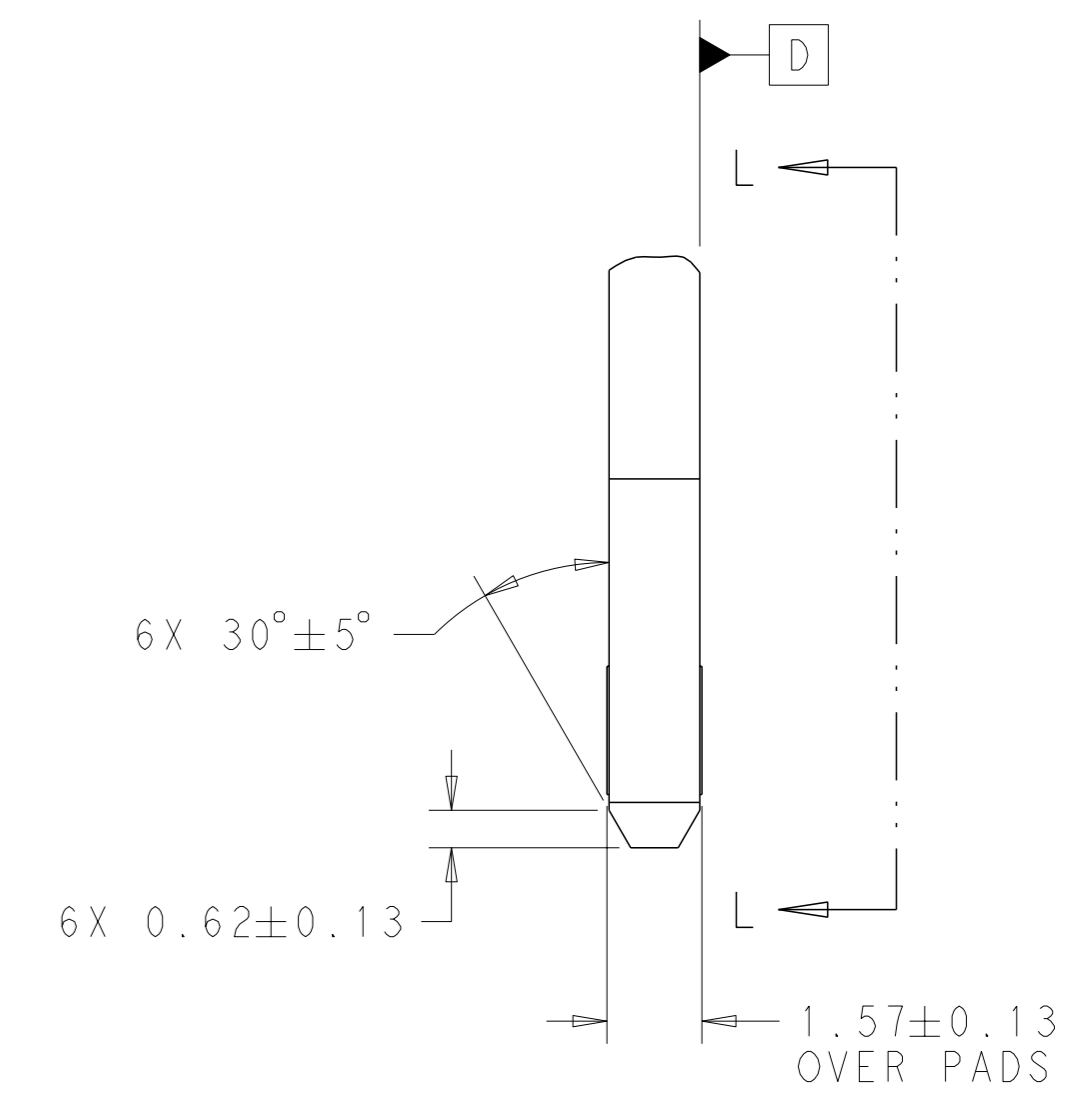
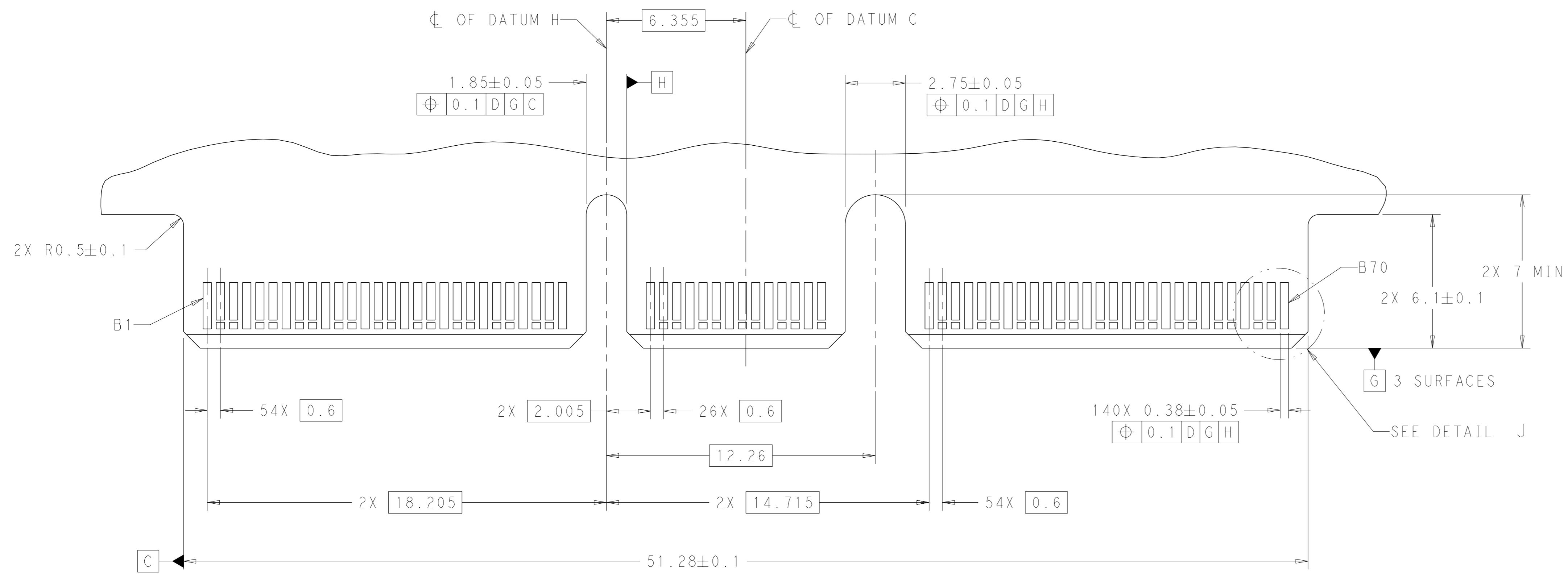


RECOMMENDED PCB LAYOUT AND KEEP OUT AREA

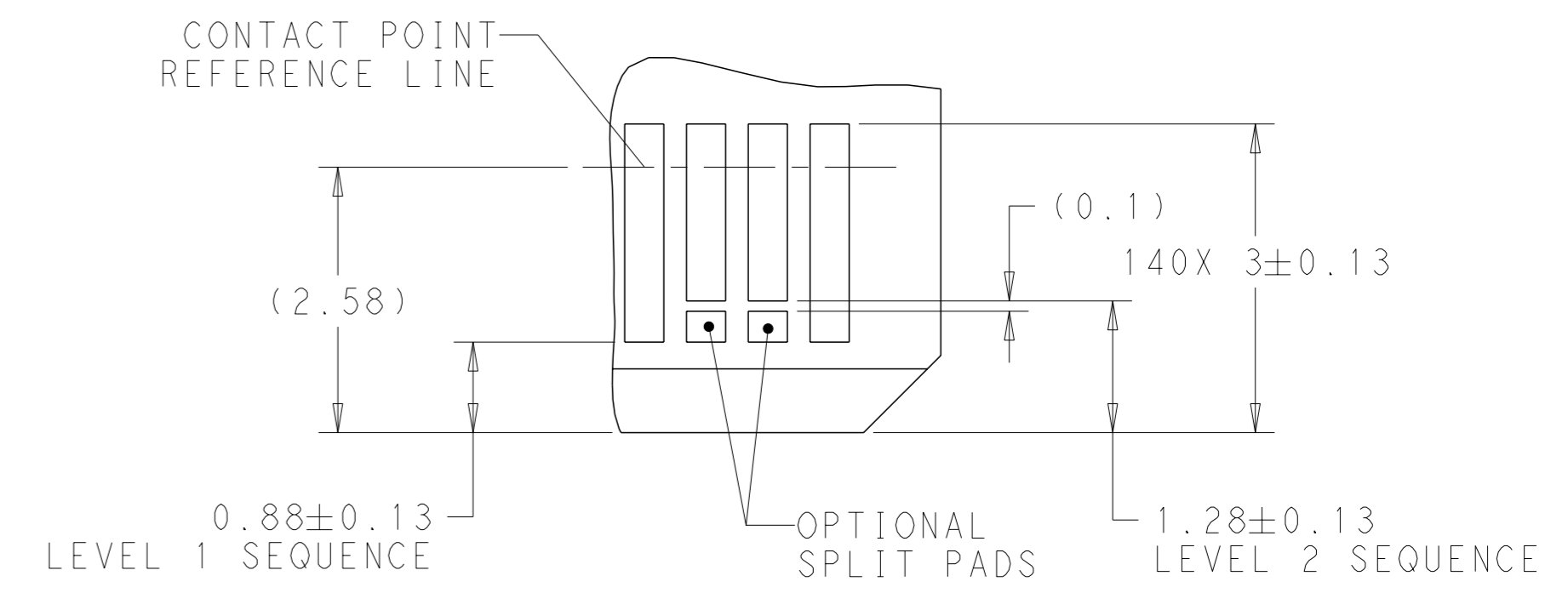
Printed on 15 Mar 2022 23:50 (China Standard Time) from F000316

THIS DRAWING IS A CONTROLLED DOCUMENT.		OWN: M. SHIRK 22FEB2018	TE Connectivity
DIMENSIONS: mm		CHK: D. HARMON 22FEB2018	
TOLERANCES UNLESS OTHERWISE SPECIFIED:		APVD: D. HARMON 22FEB2018	NAME: RECEPTACLE ASSEMBLY, RIGHT ANGLE, 140 POSITION, SILVER 2.0 PRODUCT SPEC: 108-130021 APPLICATION SPEC: 114-130008
0 PLC ± 1 PLC ± 2 PLC ± 3 PLC ± 4 PLC ± ANGLES ±		SIZE: A1 CAGE CODE: 00779 DRAWING NO: C=2327670	
MATERIAL:		WEIGHT:	RESTRICTED TO:
FINISH:		CUSTOMER DRAWING	SCALE: 1:1 SHEET 2 OF 4 REV C

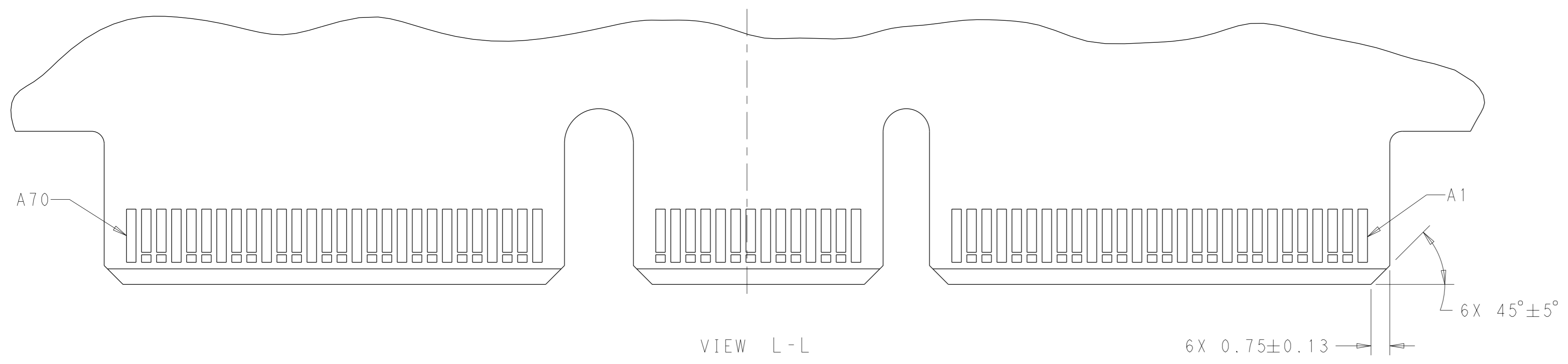
REVISIONS				
#	LY#	DESCRIPTION	DATE	OWN APVD
-	-	SEE SHEET 1	-	-



RECOMMENDED PCB OUTLINE DIMENSIONS:
 TOLERANCE VALUES ARE CRITICAL. PLEASE BE SURE TO DESIGNATE
 TOLERANCE TO PCB SUPPLIER TO ENSURE OPTIMIZED FUNCTIONALITY.



DETAIL J
 SCALE 16:1



THIS DRAWING IS A CONTROLLED DOCUMENT.		OWN: M. SHIRK 22FEB2018	TE Connectivity
DIMENSIONS: mm		CHK: D. HARMON 22FEB2018	
TOLERANCES UNLESS OTHERWISE SPECIFIED:		APVD: D. HARMON 22FEB2018	NAME: RECEPTACLE ASSEMBLY, RIGHT ANGLE, 140 POSITION, SILVER 2.0
0 PLC ±	1 PLC ±	PRODUCT SPEC	SIZE: 108-130021
2 PLC ±	3 PLC ±	APPLICATION SPEC	SCALE: 1:1
4 PLC ±	ANGLES ±	FINISH ±	SHEET 3 OF 4
MATERIAL	WEIGHT	114-130008	REV C
CUSTOMER DRAWING		SCALE: 1:1	REV C

Printed on 15 Mar 2022 23:50 (China Standard Time) from F0000316

REVISIONS				
P	LY#	DESCRIPTION	DATE	APPV
-	-	SEE SHEET 1	-	-

TABLE 1: CONNECTOR CONTACT IDENTIFICATION

CONTACT NUMBER	SIDE A	SIDE B	CONTACT NUMBER	SIDE A	SIDE B
1	GROUND	GROUND	36	SIGNAL	SIGNAL
2	SIGNAL	SIGNAL	37	SIGNAL	SIGNAL
3	SIGNAL	SIGNAL	38	GROUND	GROUND
4	GROUND	GROUND	39	SIGNAL	SIGNAL
5	SIGNAL	SIGNAL	40	SIGNAL	SIGNAL
6	SIGNAL	SIGNAL	41	GROUND	GROUND
7	GROUND	GROUND	42	GROUND	GROUND
8	SIGNAL	SIGNAL	43	GROUND	GROUND
9	SIGNAL	SIGNAL	44	SIGNAL	SIGNAL
10	GROUND	GROUND	45	SIGNAL	SIGNAL
11	SIGNAL	SIGNAL	46	GROUND	GROUND
12	SIGNAL	SIGNAL	47	SIGNAL	SIGNAL
13	GROUND	GROUND	48	SIGNAL	SIGNAL
14	SIGNAL	SIGNAL	49	GROUND	GROUND
15	SIGNAL	SIGNAL	50	SIGNAL	SIGNAL
16	GROUND	GROUND	51	SIGNAL	SIGNAL
17	SIGNAL	SIGNAL	52	GROUND	GROUND
18	SIGNAL	SIGNAL	53	SIGNAL	SIGNAL
19	GROUND	GROUND	54	SIGNAL	SIGNAL
20	SIGNAL	SIGNAL	55	GROUND	GROUND
21	SIGNAL	SIGNAL	56	SIGNAL	SIGNAL
22	GROUND	GROUND	57	SIGNAL	SIGNAL
23	SIGNAL	SIGNAL	58	GROUND	GROUND
24	SIGNAL	SIGNAL	59	SIGNAL	SIGNAL
25	GROUND	GROUND	60	SIGNAL	SIGNAL
26	SIGNAL	SIGNAL	61	GROUND	GROUND
27	SIGNAL	SIGNAL	62	SIGNAL	SIGNAL
28	GROUND	GROUND	63	SIGNAL	SIGNAL
29	GROUND	GROUND	64	GROUND	GROUND
30	SIGNAL	SIGNAL	65	SIGNAL	SIGNAL
31	SIGNAL	SIGNAL	66	SIGNAL	SIGNAL
32	GROUND	GROUND	67	GROUND	GROUND
33	SIGNAL	SIGNAL	68	SIGNAL	SIGNAL
34	SIGNAL	SIGNAL	69	SIGNAL	SIGNAL
35	GROUND	GROUND	70	GROUND	GROUND

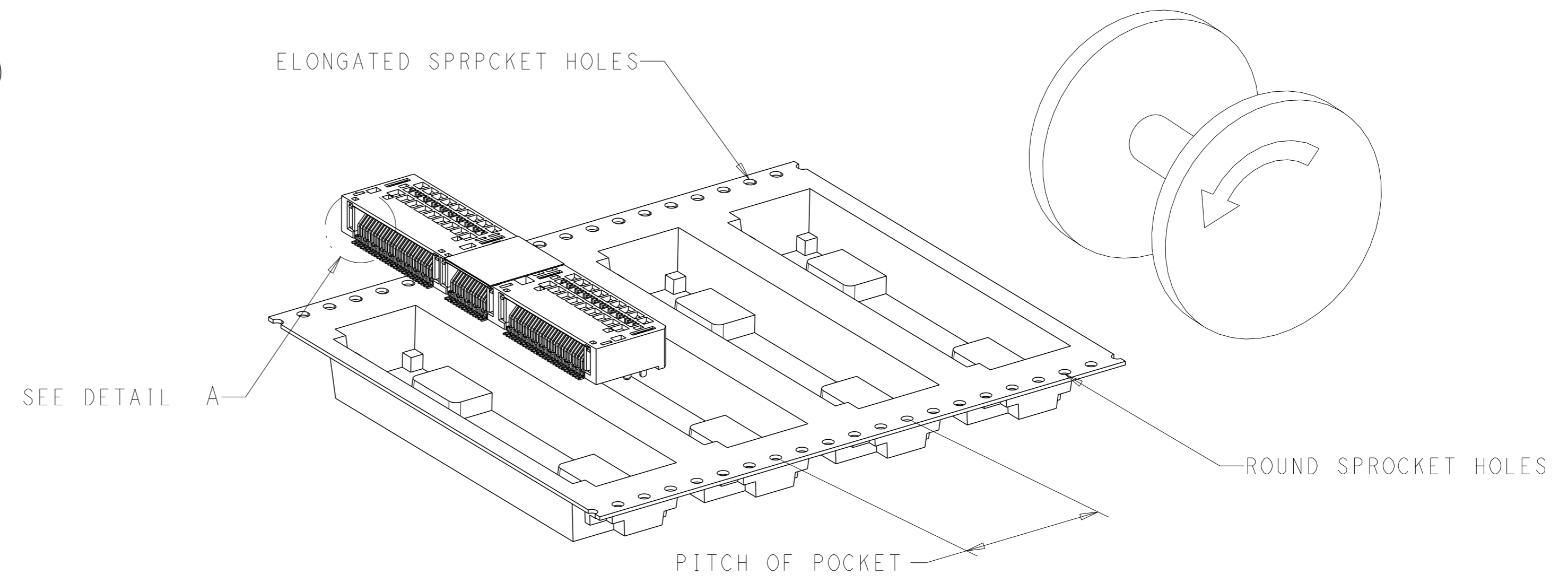
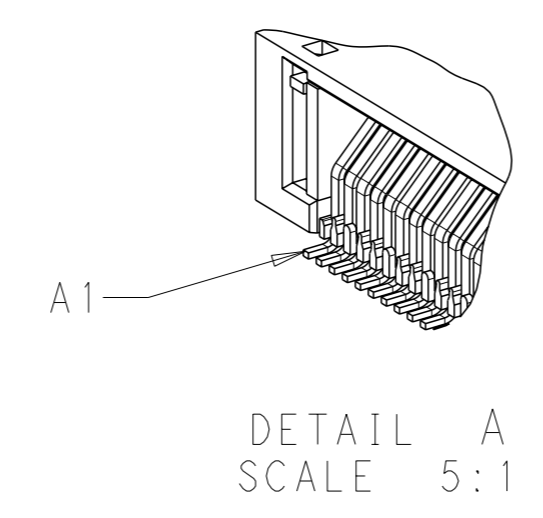


FIGURE 1
DIRECTION OFF TOP OF REEL
FOR USER UNREELING
SHOWN AS 2327670-1 THRU 2327670-6
SCALE 2:1

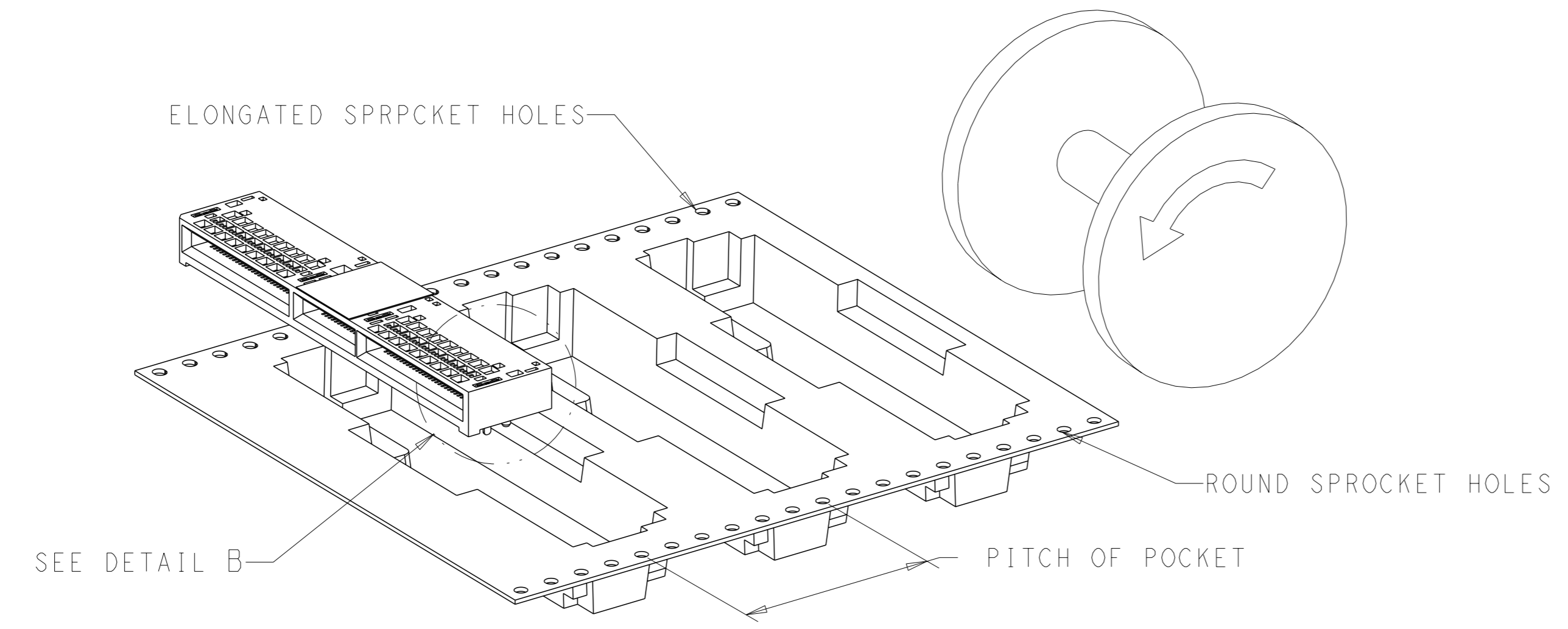
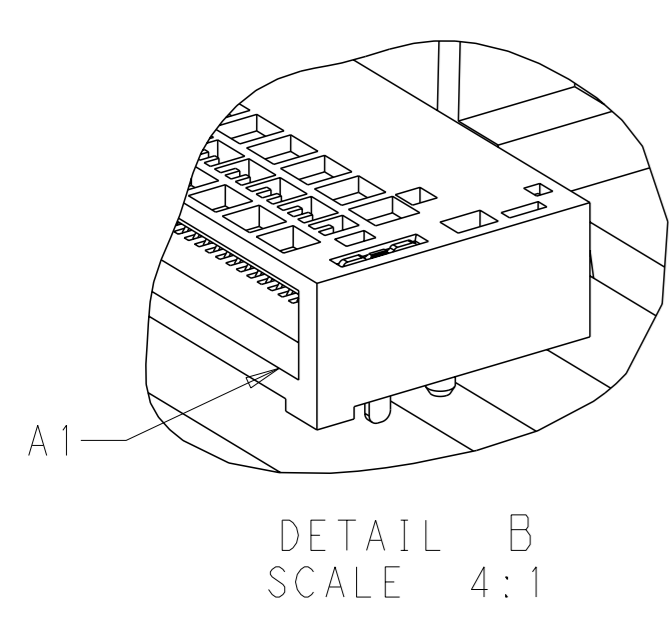


FIGURE 2
DIRECTION OFF TOP OF REEL
FOR USER UNREELING
SHOWN AS 1-2327670-1 THRU 1-2327670-6
SCALE 2:1

ENDS	PLATING	POCKET TAPE PITCH	REEL QUANTITY	PICK AND PLACE TAPE	MATING CYCLES	PART NUMBER
ENDS 0.76µm Au					200	1-2327670-6
ENDS 0.38µm Au		24	400	NO	100	1-2327670-5
ENDS FLASH Au/PdNi					50	1-2327670-4
ALL 0.76µm Au					200	1-2327670-3
ALL 0.38µm Au		24	400	NO	100	1-2327670-2
ALL FLASH Au/PdNi					50	1-2327670-1
ENDS 0.76µm Au					200	2327670-6
ENDS 0.38µm Au		20	500	YES	100	2327670-5
ENDS FLASH Au/PdNi					50	2327670-4
ALL 0.76µm Au					200	2327670-3
ALL 0.38µm Au		20	500	YES	100	2327670-2
ALL FLASH Au/PdNi					50	2327670-1

THIS DRAWING IS A CONTROLLED DOCUMENT.

DIMENSIONS: mm

TOLERANCES UNLESS OTHERWISE SPECIFIED:

0 PLC ±

1 PLC ±

2 PLC ±

3 PLC ±

4 PLC ±

ANGLES ±

MATERIAL FINISH

OWN: M. SHIRK 22FEB2018

CHK: D. HARMON 22FEB2018

APPV: D. HARMON 22FEB2018

PRODUCT SPEC: 108-130021

APPLICATION SPEC: 114-130008

WEIGHT: -

CUSTOMER DRAWING

SIZE: A1

CAGE CODE: 100779

DRAWING NO: 2327670

RESTRICTED TO: -

SCALE: 8:1

SHEET: 4 OF 4

REV: C

TE Connectivity

RECEPTACLE ASSEMBLY, RIGHT ANGLE, 140 POSITION, SILVER 2.0