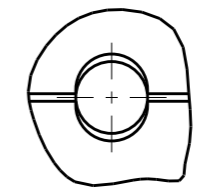
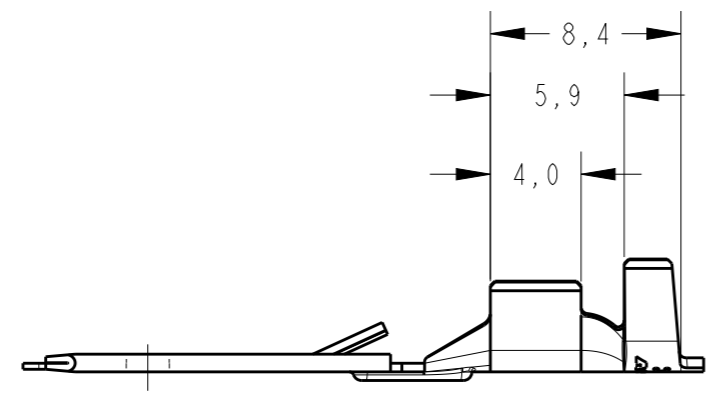
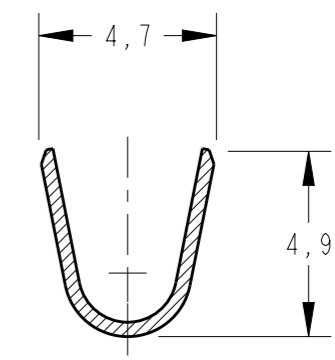
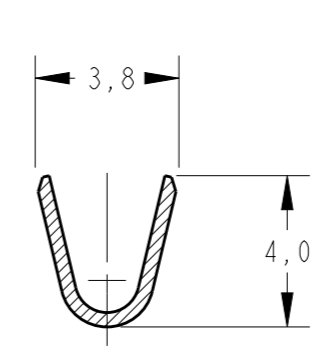
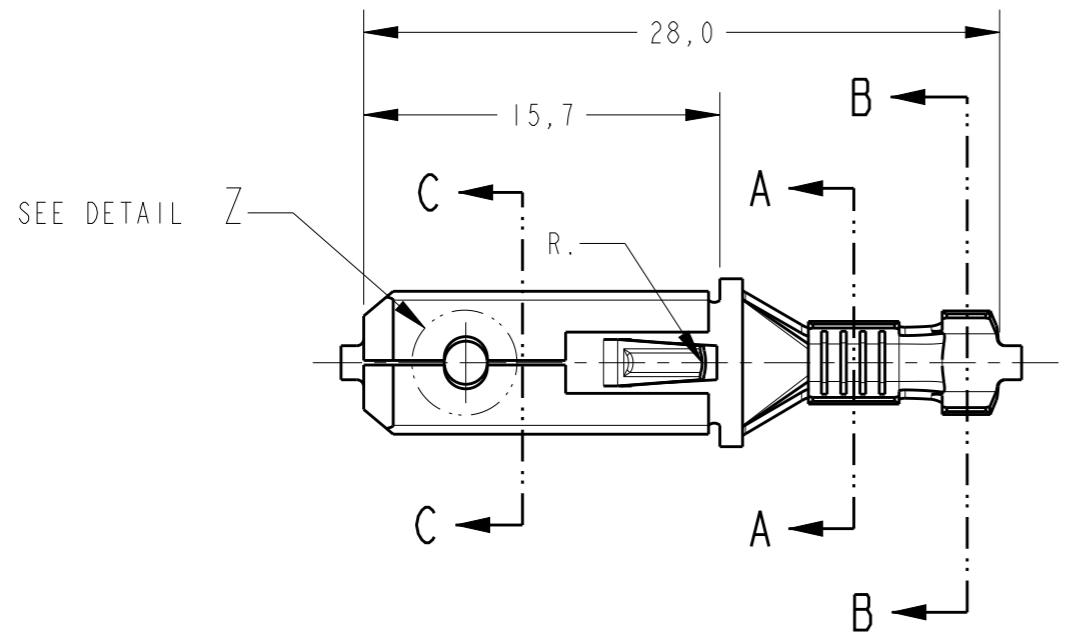


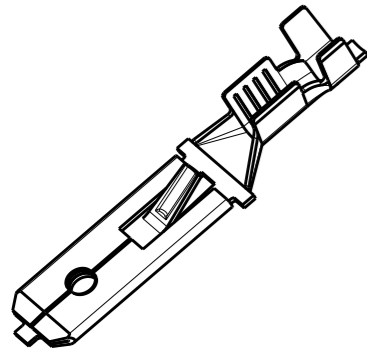
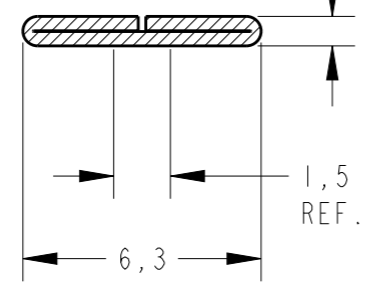
THIS DRAWING IS UNPUBLISHED. RELEASED FOR PUBLICATION 2012
 © COPYRIGHT 2012 BY TE CONNECTIVITY ALL RIGHTS RESERVED.

LOC	DIST	REVISIONS				
P	LTR	DESCRIPTION	DATE	DWN	APVD	
AP	-	B1	REDRAW BY CAD ECO-12-014149	17AUG2012	NCL	DAO
		B2	REVISED BY ECO 16-005803	28JUN2016	HC	WLS



CONSTRUÇÃO OPCIONAL
 OPTIONAL CONSTRUCTION

0,8±0,1
 ESPESSURA DA LINGUETA NO
 COMPRIMENTO DE 1,5 ESPECIFICADO
 TAB THICKNESS ON 1,5
 SPECIFIED LENGTH



PERSPECTIVE VIEW
 SCALE 2:1

FINISH	MATERIAL	PART NUMBER
OBSOLETE TIN PLATED / ESTANHADO	BRONZE FOSF. / PHOSP. BRONZE	444152 - 4
OBSOLETE	BRONZE FOSF. / PHOSP. BRONZE	444152 - 3
OBSOLETE TIN PLATED / ESTANHADO	LATÃO / BRASS	444152 - 2
	LATÃO / BRASS	444152 - 1

WIRE RANGE (mm ²)	>1,0-2,5mm ²
INSUL. RANGE (Ømm)	2,1-2,9mm

THIS DRAWING IS A CONTROLLED DOCUMENT.

DIMENSIONS: mm	TOLERANCES UNLESS OTHERWISE SPECIFIED:
	0 PLC ±-
	1 PLC ±0,3
	2 PLC ±-
	3 PLC ±-
	4 PLC ±-
	ANGLES ±1°

MATERIAL SEE TABLE FINISH SEE TABLE

DWN	NCLAPRESA	11 JUL 2012
CHK	JRGOLDSCHMIDT	11 JUL 2012
APVD	DAOLIVEIRA	11 JUL 2012



NAME: -
 TERMINAL FASTIN-FASTON.250 TAB

SIZE	CAGE CODE	DRAWING NO	RESTRICTED TO
A3	00779	©-444152	-

Customer Drawing SCALE 2:1 SHEET 1 OF 1 REV B2