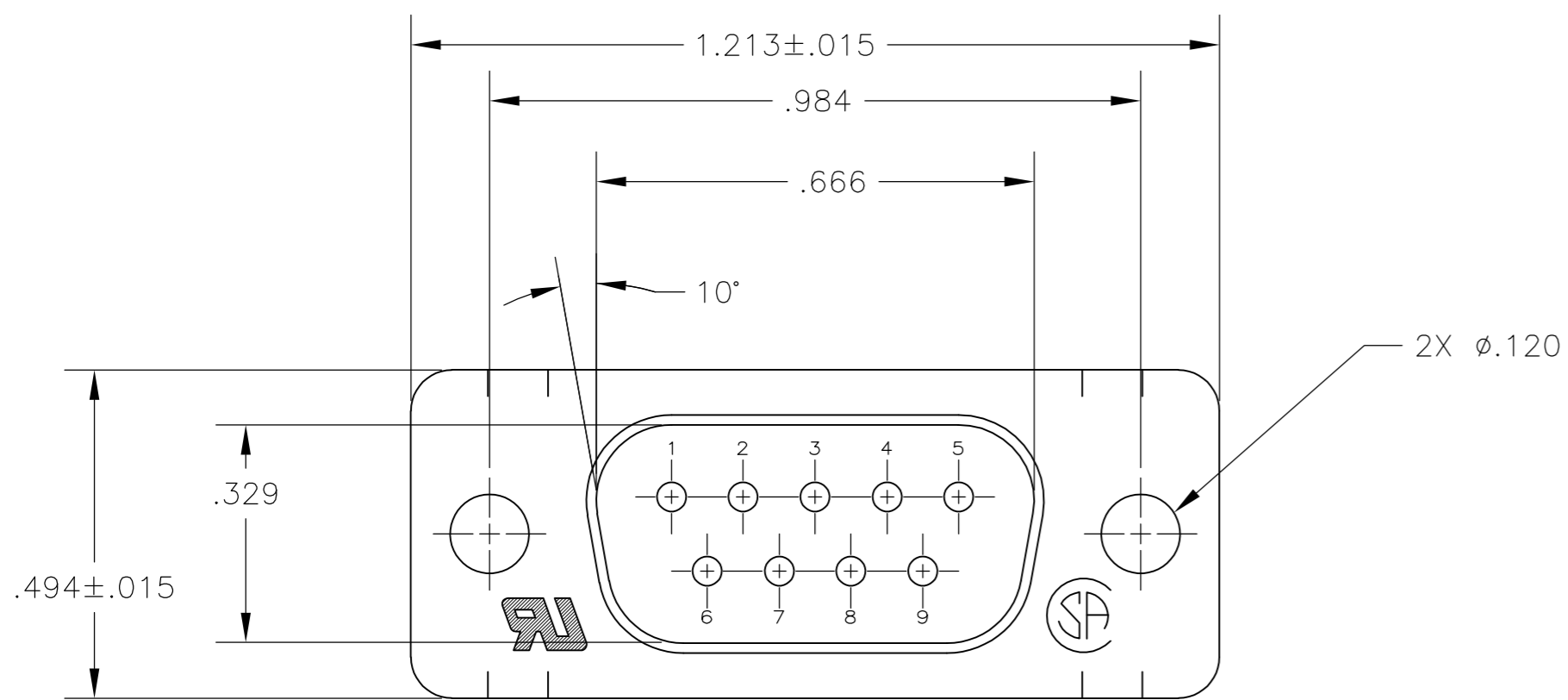
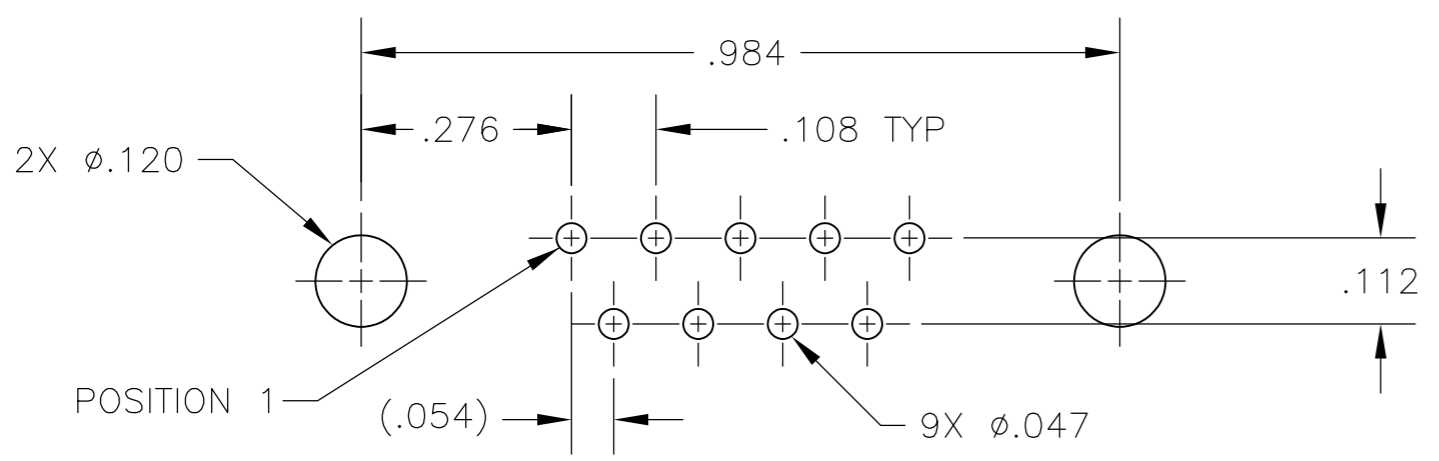
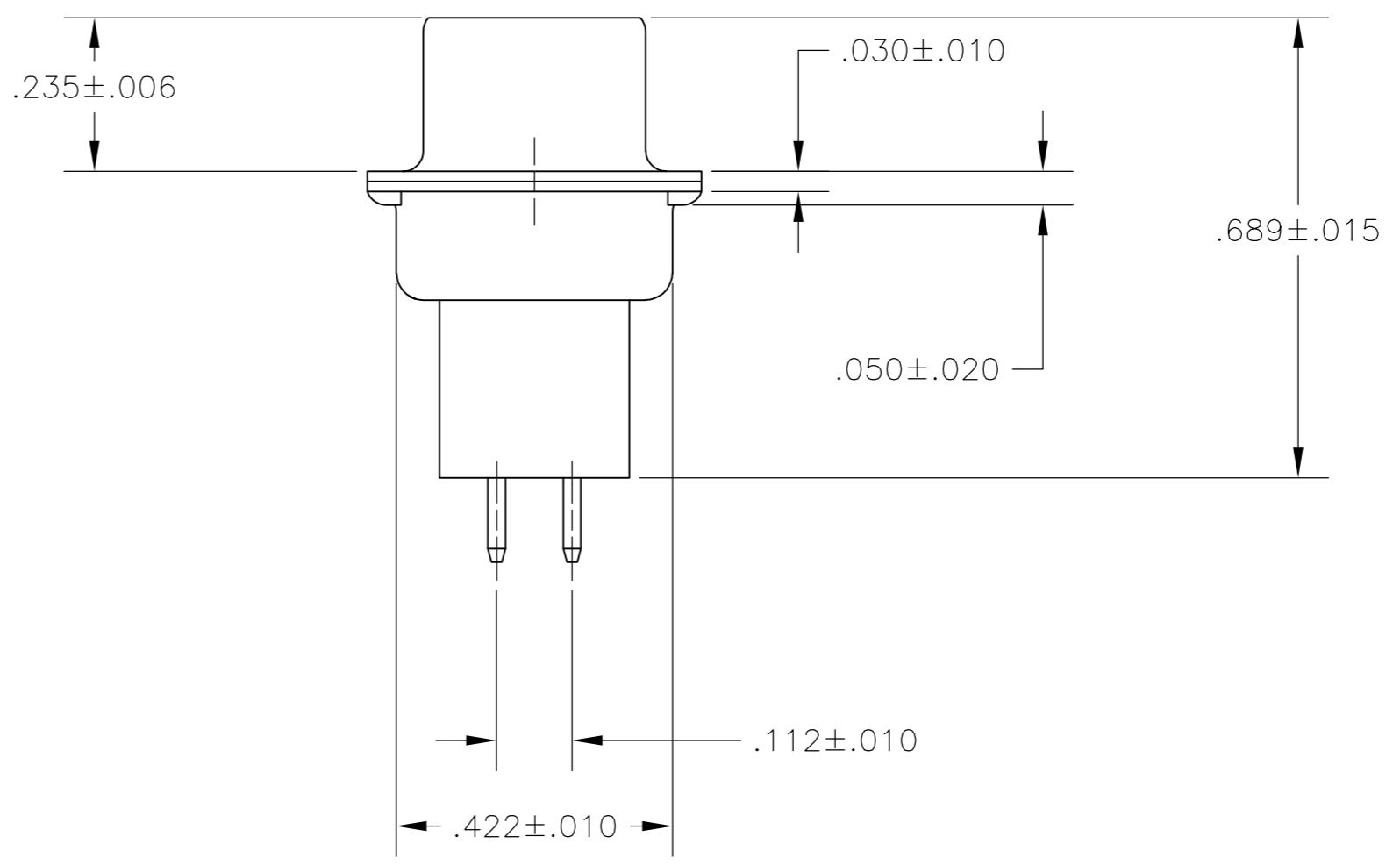
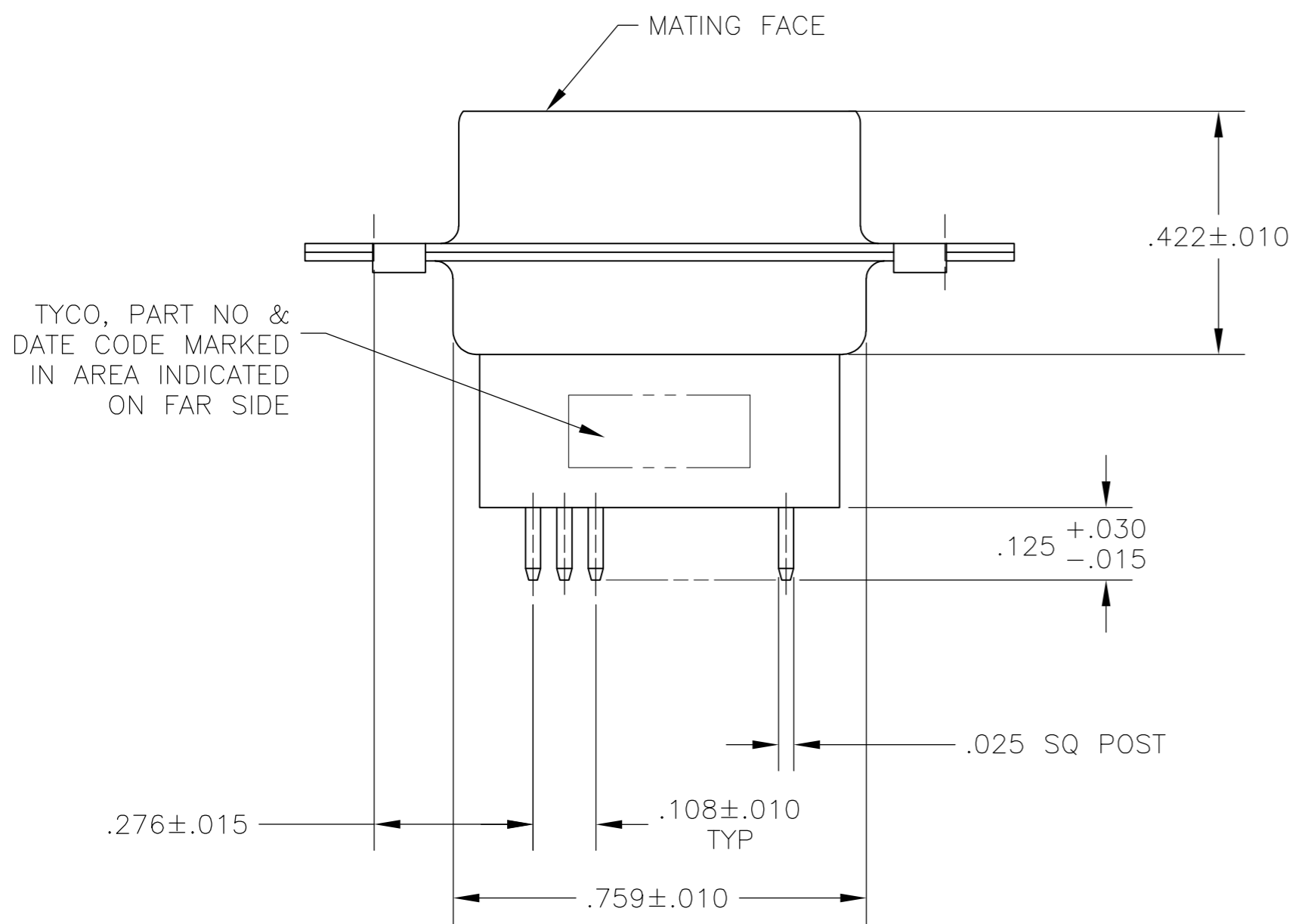


THIS DRAWING IS UNPUBLISHED. RELEASED FOR PUBLICATION
 © COPYRIGHT 2005 By - ALL RIGHTS RESERVED.

LOC		DIST		REVISIONS			
GP	00	P	LTR	DESCRIPTION	DATE	DWN	APVD
		C		REVISED PER ECO-14-011808	11AUG2014	AP	SB



- 1 MOLDING PARTS: GLASS-FILLED PBT OR GLASS-FILLED NYLON, UL94V-0 RATED. COLOR: BLACK. SHELLS: CARBON STEEL. CONTACTS: BRASS.
- 2 SHELLS: .000200 MIN TIN OVER .000100 MIN COPPER. CONTACTS: GOLD PLATED FOR LENGTH OF .150 MIN FROM MATING END, GOLD FLASH IN MATED AREA, .000100 MIN TIN ON OPPOSITE END, BOTH OVER .000050 MIN NICKEL.



P.C. BOARD MOUNTING DIMENSIONS

5745182

5745182-2
PART NO

THIS DRAWING IS A CONTROLLED DOCUMENT.		DWN B. LATTUCA 07SEPT05		
DIMENSIONS: INCHES		CHK S. BOLASH 07SEPT05		
TOLERANCES UNLESS OTHERWISE SPECIFIED:		APVD M. WALMSLEY 07SEPT05	NAME	
0 PLC ± -		PRODUCT SPEC		PLUG ASSEMBLY, SIZE 1, 9 POSN, VERTICAL, AMPLIMITE HDP
1 PLC ± -		108-40025		
2 PLC ± -		APPLICATION SPEC		SIZE
3 PLC ± .005		114-40013		CAGE CODE
4 PLC ± -		WEIGHT		DRAWING NO
ANGLES ± -		-		RESTRICTED TO
FINISH		A2 00779		SCALE
1		C=5745182		NTS
2		CUSTOMER DRAWING		SHEET 1 of 1
		REV C		