

DESCRIPTION: M5 FEMALE - CABLE MOUNT - SOLDER CUP - 2 POSITION

NOTE:

MATERIAL

HOUSING: TPU, BLACK  
 CONTACT: PHOSPHOR BRONZE  
 NUT: BRASS  
 O-RING: NBR, BLACK

FINISH

CONTACT: GOLD FLASH (0.8-1.0) $\mu$   
 OVER 50 $\mu$  NICKEL  
 NICKEL PLATED

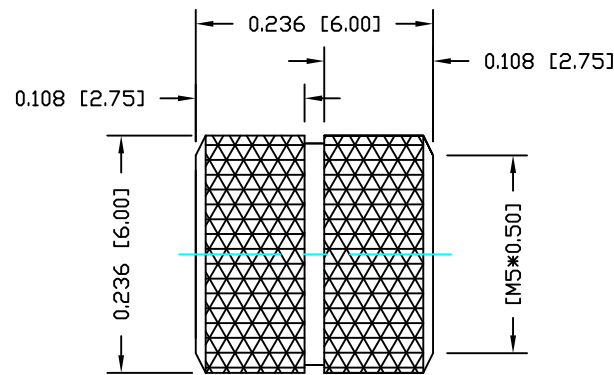
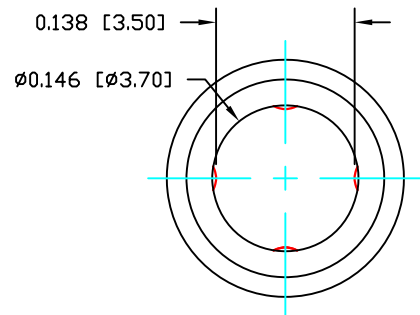
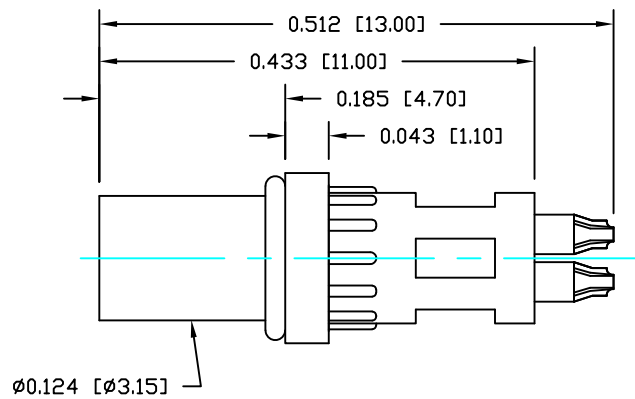
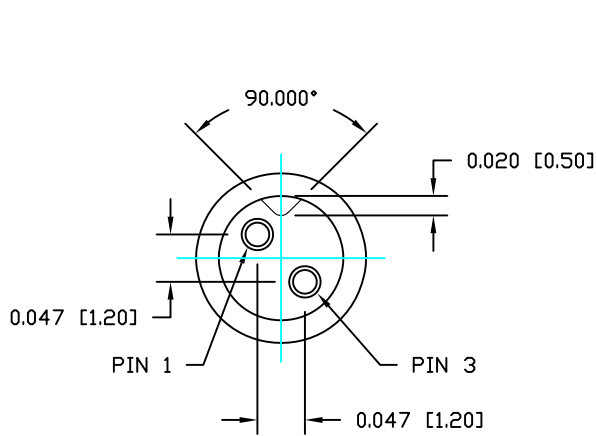
NUT:

ELECTRICAL

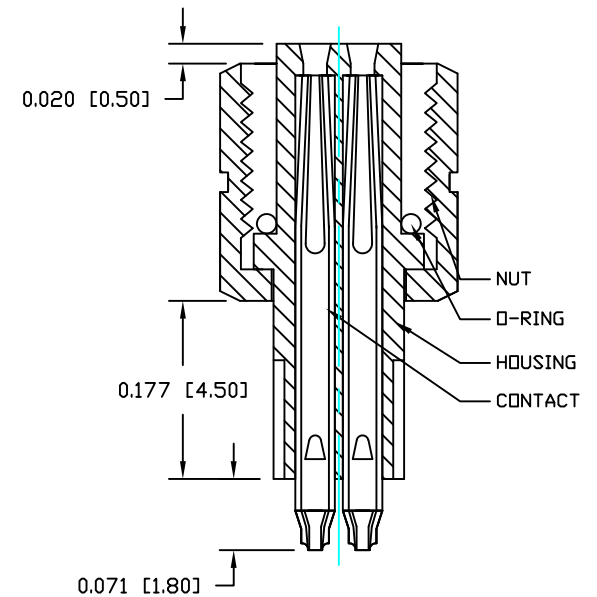
RATED CURRENT: 1A  
 RATED VOLTAGE: 60V  
 INSULATION RESISTANCE: 1000 M $\Omega$  MIN.  
 CONTACT RESISTANCE: 10 m $\Omega$  MAX.  
 WATER PROOF: IP67

ENVIRONMENT

OPERATION TEMPERATURE: -40°C TO +85°C  
 WIRE GAUGE: 26-28 AWG  
 MAX MATING TORQUE: 1.5 in lbs



NUT



RoHS COMPLIANT

DO NOT SCALE FROM DRAWING



THESE DRAWINGS AND SPECIFICATIONS ARE THE PROPERTY OF NorComp AND SHALL NOT BE REPRODUCED, COPIED OR USED AS THE BASIS FOR THE MANUFACTURE OR SALE OF APPARATUS WITHOUT WRITTEN PERMISSION.

DRAWN: C. SMITH

DATE: 08-27-15

CHECKED:

DATE:

NorComp

SCALE: NTS

SHEET 1 OF 1

REV 2

DWG NO.

850-002-203RLU1