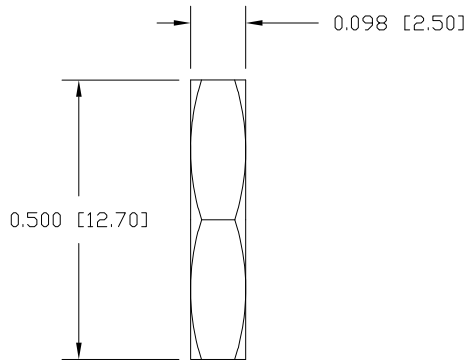
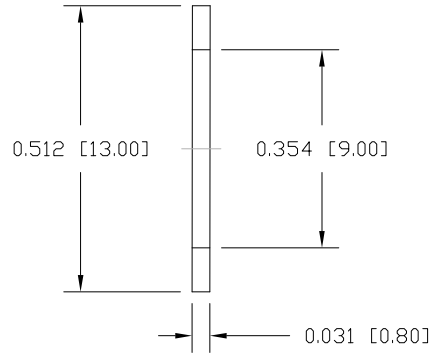


DESCRIPTION: M8 MALE - PANEL MOUNT (REAR) - SOLDER CUP - 4 POS.



NUT



NOTE:

MATERIAL

HOUSING: PBT UL94V-0, BLACK  
 CONTACT: BRASS  
 NUT: BRASS  
 SHELL: BRASS  
 WASHER: BRASS  
 O-RING: EPDM, BLACK

FINISH

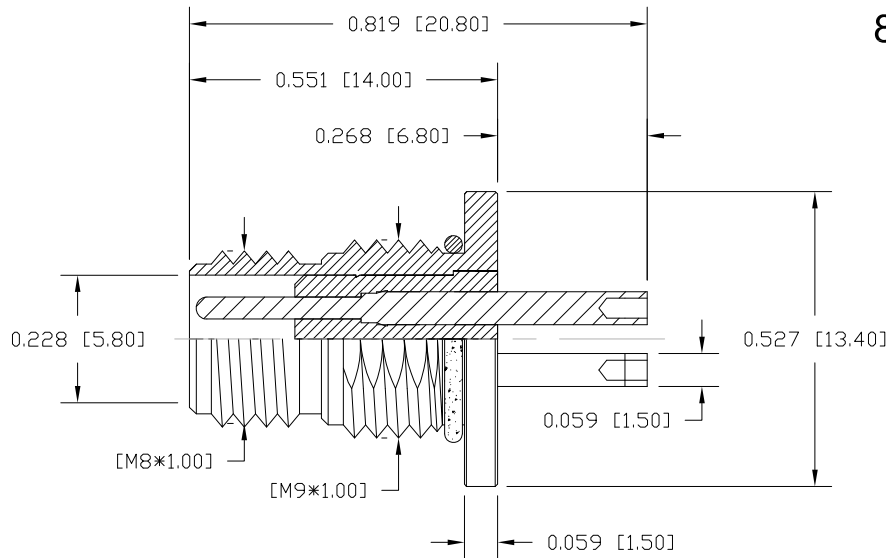
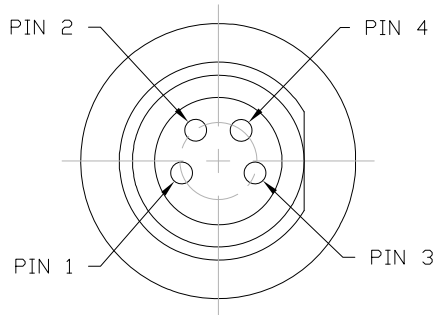
CONTACT: GOLD PLATED  
 OVER 50µ" NICKEL  
 SHELL: NICKEL 60µ" TO 100µ"  
 WASHER: NICKEL 60µ" TO 100µ"  
 NUT: NICKEL 60µ" TO 100µ"

ELECTRICAL

RATED CURRENT: 3A  
 RATED VOLTAGE: 60V  
 INSULATION RESISTANCE: 100 MOhms MIN.  
 CONTACT RESISTANCE: 10 mOhms MAX.  
 WATER PROOF: IP67

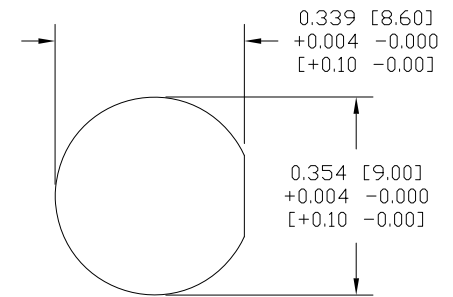
ENVIRONMENT

OPERATION TEMPERATURE: -40°C TO +85°C  
 MAX WIRE AWG: 24



855-004-103R00Y

1 = GOLD FLASH  
 4 = 10µ" GOLD



PANEL CUTOUT

RoHS COMPLIANT

UNITS = INCHES [MM]

DO NOT SCALE FROM DRAWING



THESE DRAWINGS AND SPECIFICATIONS ARE THE PROPERTY OF NorComp AND SHALL NOT BE REPRODUCED, COPIED OR USED AS THE BASIS FOR THE MANUFACTURE OR SALE OF APPARATUS WITHOUT WRITTEN PERMISSION.

DRAWN:

M. SIGMON

DATE:

03-04-16

NorComp

SCALE: NTS

SHEET 1 OF 1

REV 3

DWG NO.

855-004-103R00Y