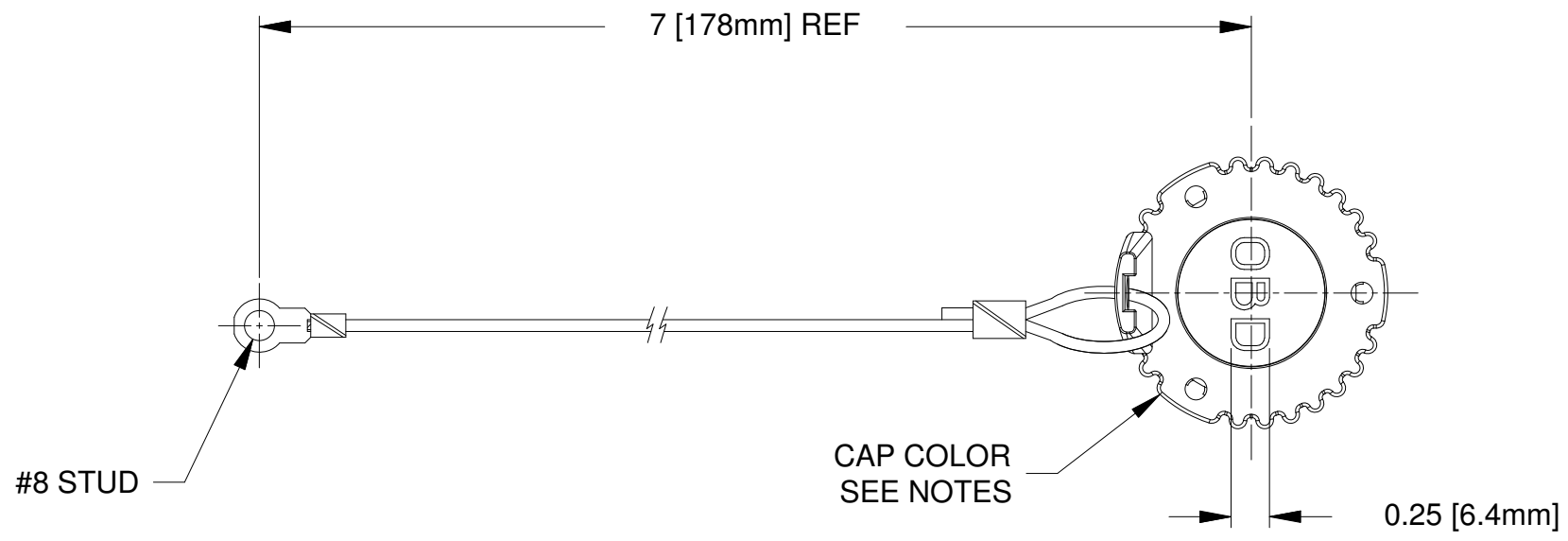


REVISIONS					
REV	ECO	DESCRIPTION	DATE	BY	APPR
A1		RELEASE CUSTOMER DRAWING	06NOV13	DRP	
A2	-	ADDED COLOR CHART & GREEN COLOR DWG NO. -TMOBD** WAS -TMOBDBK	23SEP14	JAH	



NOTES: UNLESS OTHERWISE SPECIFIED

1. COMPATIBLE WITH AHD SERIES 9 POSITION RECEPTACLES .
2. ALL COMPONENTS ARE RoHS COMPLIANT.
3. ALL DIMENSIONS ARE FOR REFERENCE USE ONLY.
4. CAP COLOR:  
 A. -TMOBDBK = BLACK  
 B. -TMOBDGN = GREEN

QUANTITY	AHDC169-TMOBD**	DESCRIPTION	ITEM												
MATERIALS LIST															
UNLESS OTHERWISE SPECIFIED 1) All dimensions are in metric(mm). 2) Tolerances are as follows: 1 PL DEC ±0.30    Fractions ±1/64 2 PL DEC ±0.15    Angles ±1° 3 PL DEC ±0.08 3) Note reference =		<table border="1"> <tr> <th>SIGNATURES</th> <th>DATE</th> </tr> <tr> <td>DRAWN:    <b>DRP</b></td> <td>06NOV13</td> </tr> <tr> <td>CHECKED:</td> <td></td> </tr> <tr> <td>ENGINEER:</td> <td></td> </tr> <tr> <td>APPROVAL:</td> <td></td> </tr> <tr> <td>CUSTOMER:</td> <td></td> </tr> </table>	SIGNATURES	DATE	DRAWN: <b>DRP</b>	06NOV13	CHECKED:		ENGINEER:		APPROVAL:		CUSTOMER:		<h1 style="text-align: center;">Amphenol</h1> <p style="text-align: center;">Sine Systems - www.amphenol-sine.com                      44724 Morley Drive                      Clinton Township, MI 48036</p>
SIGNATURES	DATE														
DRAWN: <b>DRP</b>	06NOV13														
CHECKED:															
ENGINEER:															
APPROVAL:															
CUSTOMER:															
MATERIAL SPECIFICATIONS:		TETHERED OBD CAP, METAL WIRE, AHD 9 POSITION SERIES													
PROCESS SPECIFICATIONS:															
NEXT ASSY:															
		<table border="1"> <tr> <td>SIZE</td> <td>TYPE</td> <td>DWG NO:</td> <td>REVISION</td> </tr> <tr> <td><b>A</b></td> <td><b>C-</b></td> <td><b>AHDC169-TMOBD**</b></td> <td><b>A2</b></td> </tr> <tr> <td colspan="2">SCALE: NONE</td> <td colspan="2">SHEET 1 OF 1</td> </tr> </table>	SIZE	TYPE	DWG NO:	REVISION	<b>A</b>	<b>C-</b>	<b>AHDC169-TMOBD**</b>	<b>A2</b>	SCALE: NONE		SHEET 1 OF 1		
SIZE	TYPE	DWG NO:	REVISION												
<b>A</b>	<b>C-</b>	<b>AHDC169-TMOBD**</b>	<b>A2</b>												
SCALE: NONE		SHEET 1 OF 1													