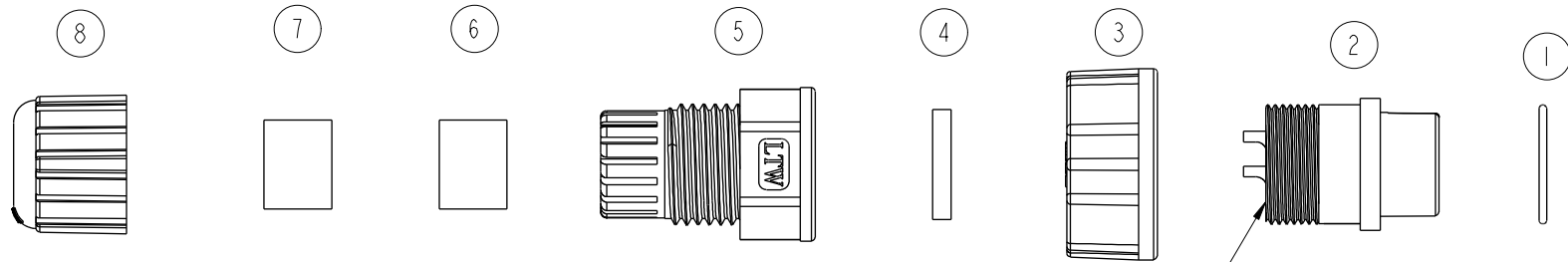


THIS DOCUMENT IS SUBJECT TO CHANGE WITHOUT NOTICE. IT IS CONFIDENTIAL AND A PROPERTY OF Amphenol LTW. DISCLOSURE TO THIRD PARTY HAS TO BE AUTHORIZED BY Amphenol LTW.

REV.	ECN NO.	DATE	SIGN	DESCRIPTION



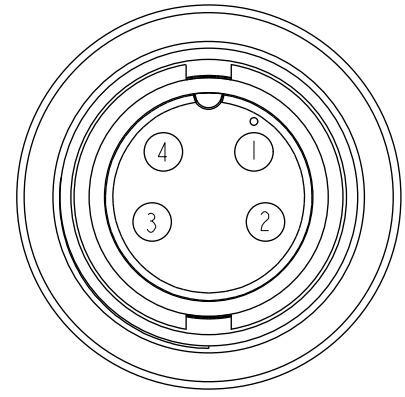
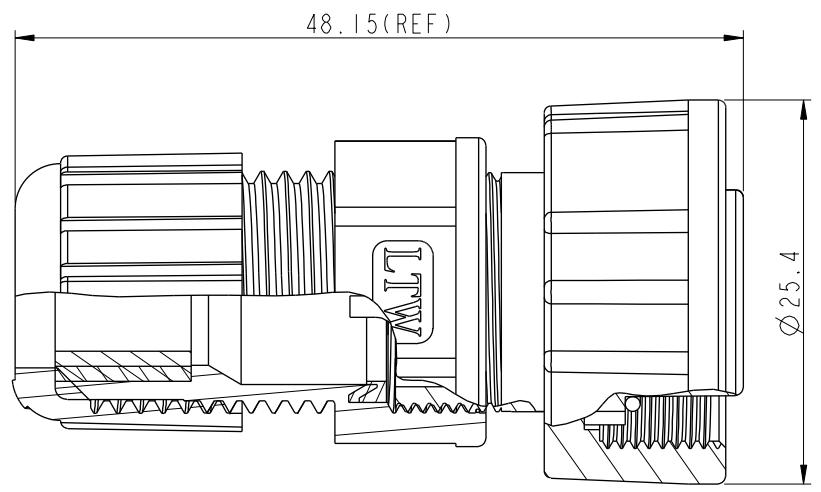
With Liquid Glue
點防水膠

ALTW
 DCC. DEPT.
 CONFIDENTIAL
 2012-04-24
ISSUED

ALTW
 CONFIDENTIAL
 2012-04-02
 R&D DEPT.

Note:

- * CC Important Dimension.
(CC 為重點尺寸)
- * Waterproof Rate : IP67
- * Seals B1 for Cable OD: $\varnothing 7.6\text{mm} \sim \varnothing 9.6\text{mm}$
(防水墊圈B1線徑: $\varnothing 7.6\text{mm} \sim \varnothing 9.6\text{mm}$)
- * Seals B2 for Cable OD: $\varnothing 4.0\text{mm} \sim \varnothing 7.6\text{mm}$
(防水墊圈B2線徑: $\varnothing 4.0\text{mm} \sim \varnothing 7.6\text{mm}$)
- * One Set Unassembled in One PE Bag
(每一組未組裝, 放置於一個PE袋, 並封口)
- * Ring: Black, EPDM
- * Housing: Black, Nylon+GF
- * Pin: Copper Alloy, Gold Plated
- * Screw Nut: Black, Nylon+GF
- * Gasket : Black, EPDM
- * Seals : Black, EPDM
- * Clamp Ring: Black, Nylon
- * Sealing Nut: Black, Nylon
- * Liquid Glue: Clear



Pin Assignments
Front View 前視圖

UNIT: mm		
TOLERANCE	.X	± 0.25
	.XX	± 0.1
	.XXX	± 0.05
ANGLES		$\pm 1^\circ$

TITLE Middle Assy Screw 4Pin F Conn F Pin			
SCALE	SIZE	SHEET	OF
2:1	A4	1	1
REV.	WC-REV.	CC : Inspection item	
A	A.3		

Amphenol LTW
 安費諾亮泰企業股份有限公司

ITEM NO.	CB-04BFFA-SL7001	DRAWN BY	SamChang	DATE	2012-04-02
DWG NO.	CB-04BFFA-SL7001	CHECKED BY	Jeffrey	DATE	2012-04-24
CUSTOMER	ALTW	APPROVED BY	Lion	DATE	2012-04-24