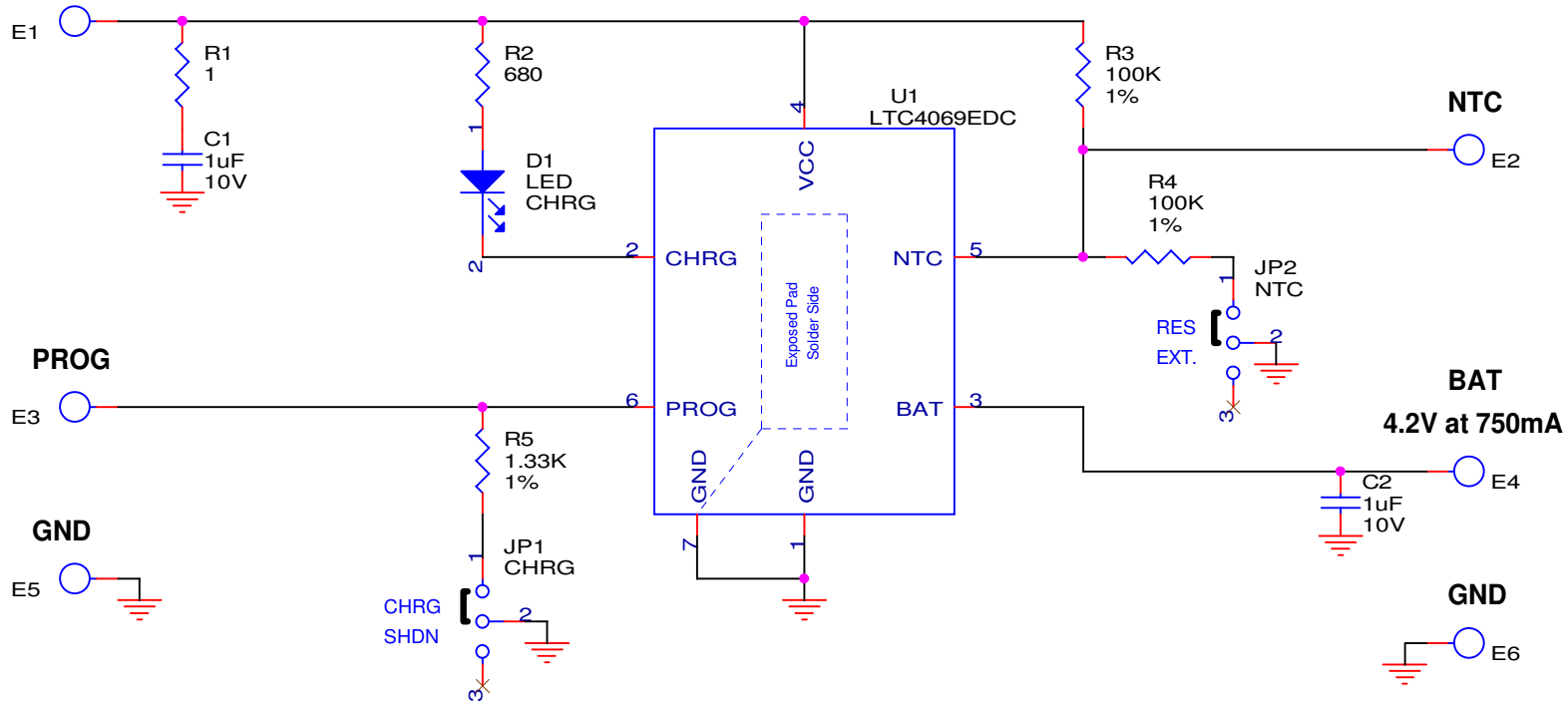


**+Vin**  
3.75V-5.5V



LTC CONFIDENTIAL - FOR CUSTOMER USE ONLY

### Customer Notice

Linear Technology Has Made A Best Effort To Design A Circuit That Meets Customer-Supplied Specifications; However, It Remains The Customer's Responsibility To Verify Proper And Reliable Operation In The Actual Application. Component Substitution And Printed Circuit Board Layout May Significantly Affect Circuit Performance Or Reliability. Contact Linear Technology Applications Engineering For Assistance.

This Circuit Is Proprietary To Linear Technology And Supplied For Use With Linear Technology Parts.

### LINEAR TECHNOLOGY CORPORATION

1630 McCARTHY BLVD.  
MILPITAS, CA. 95035  
PHONE (408) 954-8400 FAX (408) 434-0507

Title  
**750mA Stand-Alone Lithium-Ion Linear Battery Charger**

Size A Document Number  
**Demo Circuit 973A LTC4069EDC** Rev

Date: Friday, September 09, 2005 Sheet 1 of 1