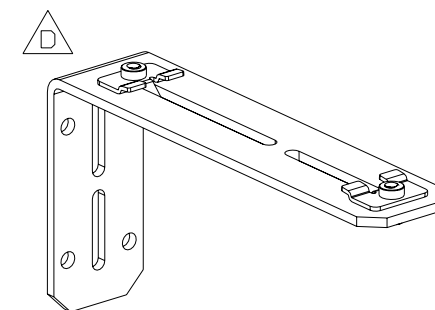
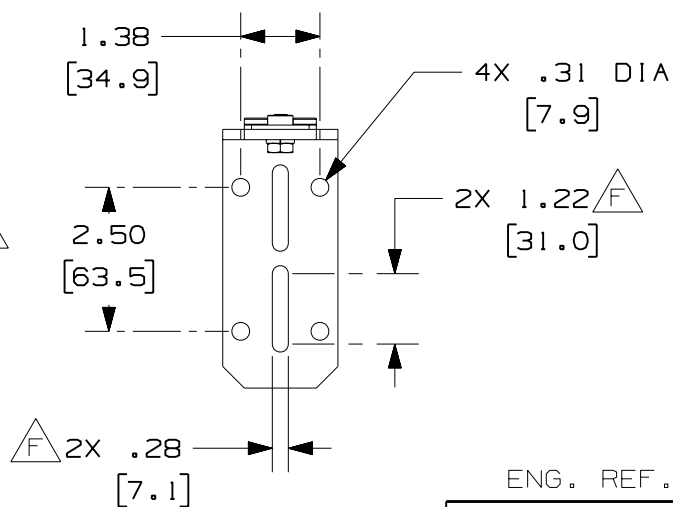
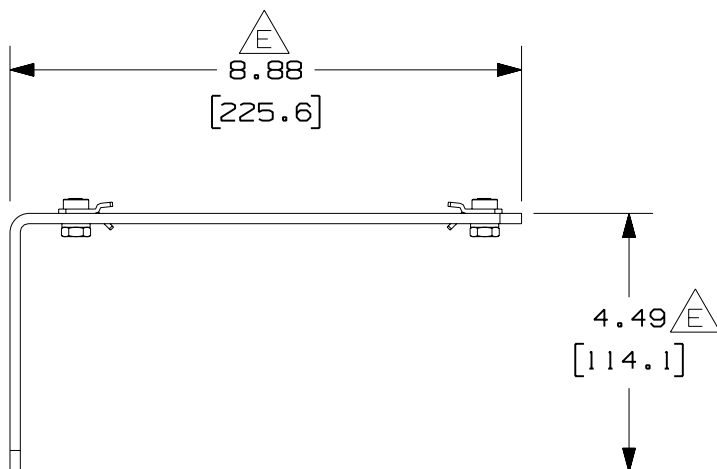
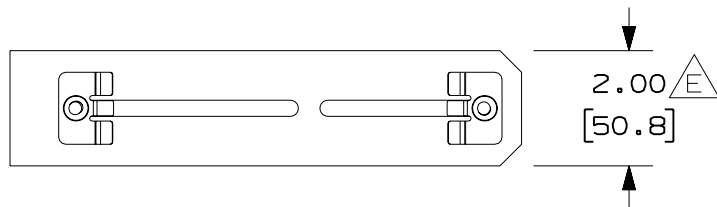


PANDUIT PART NUMBER	WEIGHT
FR6LB	1.27 LB/EACH (578g/EACH)

NOTES:

1. SEE CURRENT CATALOG FOR ADDITIONAL PART SUFFIXES TO INDICATE PACKAGE QUANTITY.
2. THE FIBERRUNNER 4x4 AND 6x4 QUIKLOCK WALL MOUNT "L" BRACKET IS USED TO SUPPORT THE FIBERRUNNER 4x4 AND/OR 6x4 CABLE ROUTING SYSTEMS FROM ANY FLAT SURFACE SUITABLE TO CARRY THE WEIGHT OF THE PATHWAY. NOTE THAT THE MOUNTING HARDWARE IS NOT INCLUDED AND WILL NEED TO BE SUPPLIED BY THE INSTALLER/END USER.
3. THE FIBERRUNNER 4x4 AND 6x4 QUIKLOCK WALL MOUNT "L" BRACKET INCLUDES:
ONE (1) BRACKET ASSEMBLY
4. FINISH COLOR: BLACK
5. DIMENSIONS IN PARENTHESES ARE IN METRIC.



ENG. REF.: D37585BE_DC_FR6LB_02.prt

CAD FILENAME/LAYERS: **FR6LB.pdf**

PANDUIT CORP TINLEY PARK, ILLINOIS
FIBERRUNNER 4x4 AND 6x4 QUIKLOCK WALL MOUNT "L" BRACKET (FR6LB)
 CUSTOMER DRAWING

UNLESS OTHERWISE SPECIFIED, DIMENSIONAL TOLERANCES ARE:
 (.X) ± (.XXX) ±
 (.XX) ± .03 (.8) ANGLES ±

UNLESS OTHERWISE SPECIFIED, ALL DIMENSIONS ARE GIVEN IN INCHES, THIRD ANGLE PROJECTION.

DRAWN BY: MSO MAT'L: STEEL
 DATE: 5-11-00
 CHECK'D: CVV
 SCALE: NONE
 DRAWING NO.: 37585-22 DWG SIZE: A

-	-----	---	--	1. REVISED GENERAL NOTES.	-----	--	--		
2	8-1-06	MSO	RN	H. REVISED DRAWING TITLE. G. REVISED PART WEIGHT.	37585-22	RN	RN		
-	-----	---	---	F. REVISED DIMENSION. E. REV'D DIMENSION LOCATION.	-----	--	--		
-	-----	---	---	D. REVISED PART GEOMETRY. C. REVISED GENERAL NOTES.	-----	--	--		
1	3-23-05	MSO	RPA	B. REVISED DRAWING TITLE. A. REVISED CAD FILENAME.	37585-22	RN	RN		
R	5-11-00	MSO	CVV	RELEASED TO PRODUCTION	37585-22	HIW	HIW		
REV	DATE	BY	CHK	DESCRIPTION	ECN	R	CUST	SUP	GMBH