



433MHz Receiver

Features

- Up to 100metres Range
- 4 Changeover Relays
- 12-30Vdc or 230Vac versions
- Reliable FM Technology
- Each output Rated 1000W
- Waterproof Enclosure to IP68
- Momentary or Latching Relays
- Any Switch Map to Any Relay Output
- CE / FCC Compliant

Applications

- General Purpose Remote Switching
- Electric Gates
- Roller Shutter Doors
- Garden Lighting



Description

Supplied complete ready to operate without any user configuration required. The HORNET is a rugged IP68 weatherproof remote control receiver. Built in mounting points and easy wiring using High Quality screw Terminals.

With a range of up to 100m the HORNET is ideal for a wide variety of switching applications.

Transmitters may be added using the 'learn' process, any button on the transmitter can be used to control one or many outputs of the receiver.

System Part Numbers

Operating from 12-30Vdc



Part Number	Description	Frequency (MHz)	Range** (Metres)
HORNET-S1	System 1 channel	433.92	100
HORNET-S2	System 2 channel	433.92	100
HORNET-S3	System 3 channel	433.92	100
HORNET-RX	Receiver 4 channel	433.92	

**Range stated is optimum, direct line of sight. In worst conditions this can be reduced by over 50%

Part Number	Description	Frequency (MHz)	Range** (Metres)
HORNET-S1M	System 1 channel	433.92	100
HORNET-S2M	System 2 channel	433.92	100
HORNET-RXM	Receiver 2 channel	433.92	

**Range stated is optimum, direct line of sight. In worst conditions this can be reduced by over 50%

Additional Transmitters



Part Number	Description
HORNET200-TX1	Transmitter 1 switch
HORNET200-TX2	Transmitter 2 switch
HORNET200-TX3	Transmitter 3 switch

Bespoke Versions

Custom versions available with your own logo and or protocol.

Please contact Sales for further info.

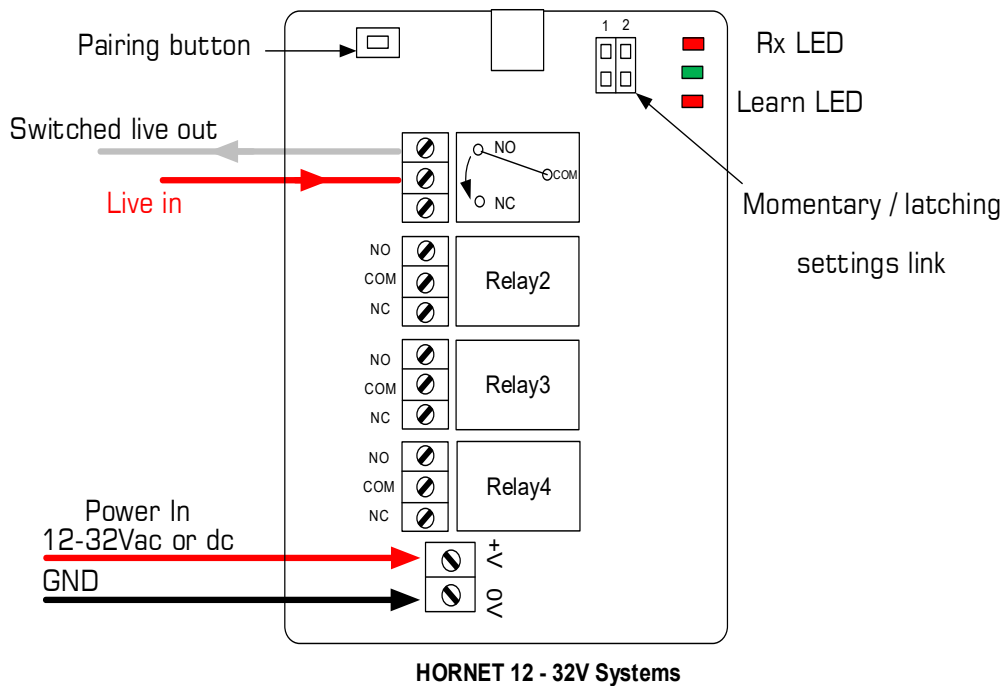


HORNET-RX (12-32Vdc Version)

The HORNET system is supplied ready to use straight out of the box.

When supplied as a system the Transmitter will be paired to the receiver as follows: Transmitter button 1 will switch relay output 1, Transmitter button 2 to relay 2 and so on). Each button press will change the state of the relay (i.e. one press for on, one press for off).

1. Open the enclosure by removing the antenna and fixing screws from the base
2. The circuit board will then slide out.
3. Connect to the screw terminals



Configuring Output Relays Momentary or Latching

These are set by the Jumper Links

Momentary = operates as long as transmitter is operated

Latching = Relay changes state each time transmitter is pressed

Link Positions		Relays			
LK1	LK2	RLY 1	RLY 2	RLY 3	RLY 4
Fitted	Fitted	Mom	Mom	Mom	Mom
Fitted	Open	Mom	Mom	Latch	Latch
Open	Fitted	Mom	Latch	Latch	Latch
Open	Open	Latch	Latch	Latch	Latch

Pairing Transmitters to the HORNET-RX (12-32Vdc Version)

Please note that the HORNET Systems are provided ready to operate and Pairing a transmitter to a receiver is only required when replacing or adding a new transmitter.

To pair a new transmitter switch follow this procedure

Note!: Any transmitter button can be configured to operate any of the receiver relays.

1. Select the receiver output relay to learn to:
2. Briefly press the receiver Pairing switch (S2) once
3. The Learn LED will flash once to indicate relay 1 is selected
4. After the LED stops flashing, press the Learn switch again to select the next relay channel
5. Repeat step 4 until the required relay is selected.
6. Press the button on the transmitter you want to learn to the chosen relay.
7. The Learn LED will flash to indicate Pairing is complete.

Pairing a Transmitter to a Receiver

Each receiver has a maximum memory for up to 30 pairings, these can be from the same or any number of transmitters.

Erasing Receivers Memory

1. Press and hold the receiver Learn Switch for approx 10 seconds.
2. When the Learn LED turns ON all memory is erased

NOTE: You cannot erase individual Tx encoders

HORNET-RXM (230Vac Powered Receivers)

The HORNET-RXM system is supplied ready to use straight out of the box.

When supplied as a system the Transmitter will be paired to the receiver as follows:

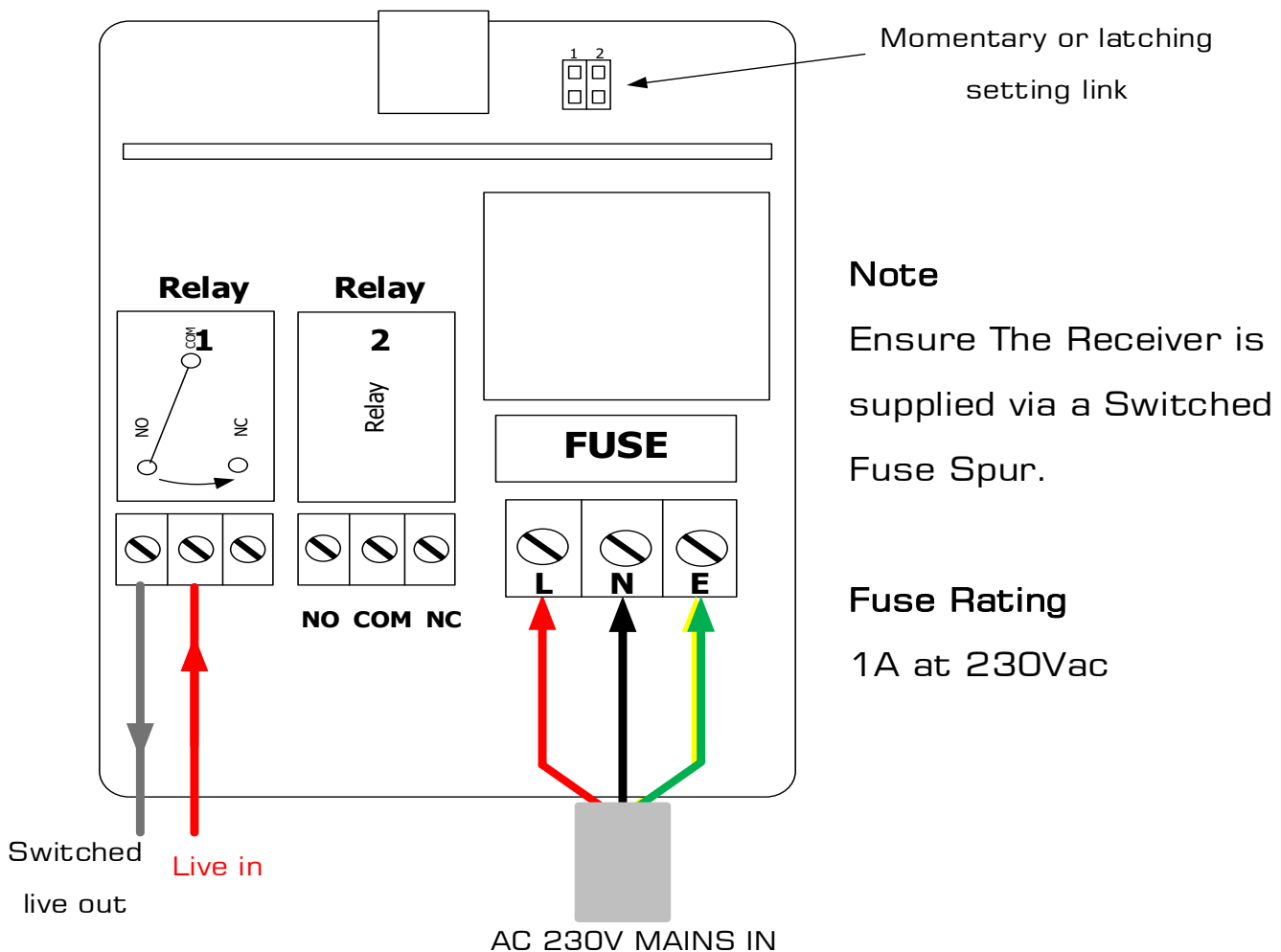
Transmitter button 1 will switch relay output 1, Transmitter button 2 to relay 2

Each button press will change the state of the relay (i.e. one press for on, one press for off).

1. Open the enclosure by removing the antenna and fixing screws from the base
2. The circuit board will then slide out.
3. Connect to the screw terminals

Warning!

The Receiver unit is designed to be a fixed installation, connected to a mains supply. Before removing the cover ensure that the mains input supply is removed. Any operation of the product that involves removal of the cover should only be carried out by a competent person or qualified electrician.



Pairing Transmitters to the HORNET-RXM (230Vac version)

Please Note: During Learn and Erase the relays operate at high speed. They should be isolated from sensitive equipment during this process.

To Pair additional Transmitter buttons to receiver Relay #1

1. Apply power the receiver and wait 10secs for the unit to enter 'normal operation' mode.
2. Switch the receiver unit OFF and then ON again in ~1sec intervals **FOUR** times finally leaving the unit powered.
3. The receiver emits a continuous 'Click' to confirm it is now in 'learn' Mode
4. Press the chosen transmitter button.
5. The receiver will acknowledge by sounding the a single 'buzz'
6. Learn Process complete.

To Pair additional Transmitter buttons to receiver Relay #2

1. Apply power the receiver and wait 10secs for the unit to enter 'normal operation' mode.
2. Switch the receiver unit OFF and then ON again in ~1sec intervals **SIX** times finally leaving the unit powered.
3. The receiver emits a continuous 'Click' to confirm it is now in 'learn' Mode
4. Press the chosen transmitter button.
5. The receiver will acknowledge by sounding the two 'buzzes'
6. Learn Process complete.

Erasing Receivers Memory

1. Power the receiver unit up and wait 10 seconds for the unit to enter 'normal operation' mode.
2. Switch the unit off and then on again at ~1 second intervals **TEN** times, leaving the unit powered.
3. The receiver confirms Erase cycle complete by giving three short 'Buzzes'

Configuring Receiver Relays

The jumper links set the outputs to be Momentary (operates as long as transmitter is operated)

or Latching (Relay changes state each time transmitter is pressed).

The jumper links are made/removed by the small link 'cap' placed over the pin header.

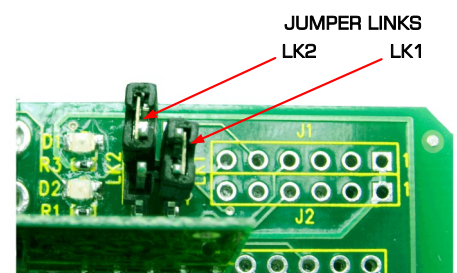
Link1 controls relay Output #1

Link2 controls relay Output #2

Link FITTED = MOMENTARY

Link OPEN = LATCHING

Image shows -
RLY1 Momentary,
RLY2 Latching.



HORNET 433MHz



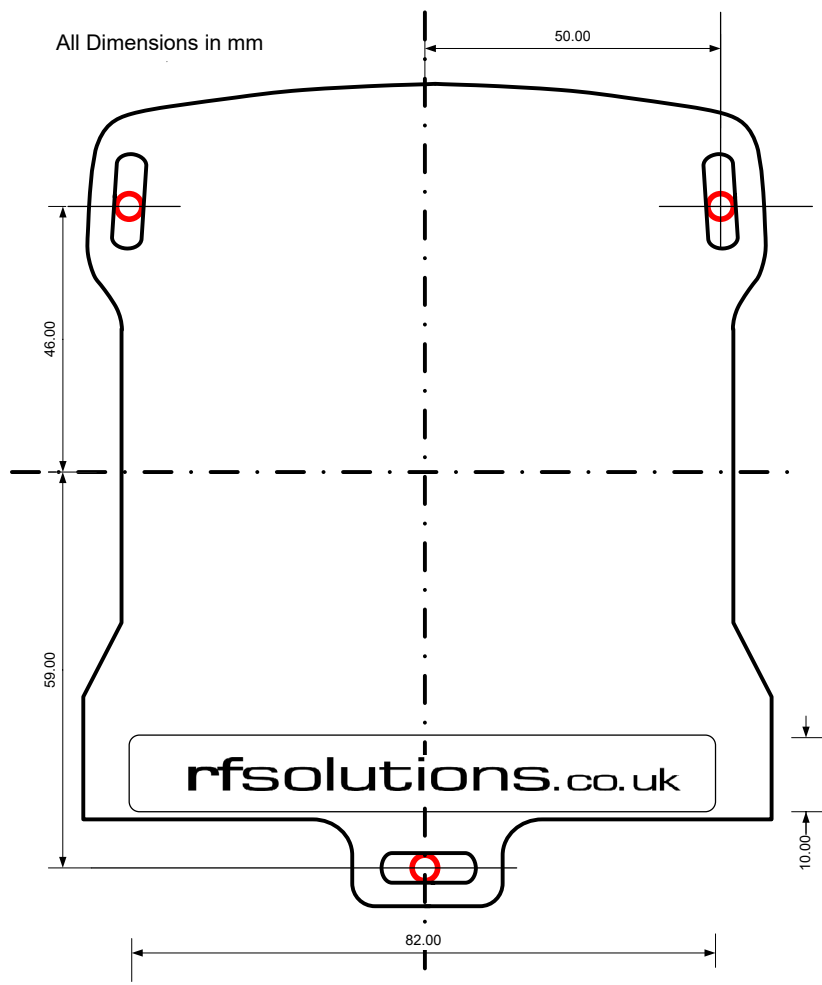
Technical Specifications

Enclosure Rating IP68
Dimensions 130 x 112 x 42 mm (not including antenna)
Storage Temperature: -10 to +70° Celsius. Operating Temperature: -10 to +50° Celsius.

ELECTRICAL CHARACTERISTICS	Min	Typical	Max	Units
Supply Voltage for 12-30V versions	10.5	12	30	Vdc
Supply Voltage for Mains versions		230		Vac
Relay Rating* (230Vac) RLY1-4		5(rms)	12(peak)	A
Supply Current : Quiescent @12V All relays operating*		10 140		mA
Supply Current @ 230V		~13		mA
Time delay from Tx on Switch to Rx Relay operation			100	mS
Time delay from Tx sw relax to Rx Relay release			300	mS

*The relay contacts in this unit are for functional use only and must not be used for isolation purposes

Enclosure Detail



Simplified Declaration of Conformity (RED)

BG - С настоящото RF Solutions Limited декларира, че този тип радиосъоръжение дефинирани в този документ е в съответствие с Директива 2014/53/ЕС. Цялостният текст на ЕС декларацията за съответствие може да се намери на следния интернет адрес: www.rfsolutions.co.uk

CS - Tímto RF Solutions Limited prohlašuje, že typ rádiového zařízení definované v tomto dokumentu je v souladu se směrnicí 2014/53/EU. Úplné znění EU prohlášení o shodě je k dispozici na této internetové adrese: www.rfsolutions.co.uk

DA - Hermed erklærer RF Solutions Limited, at radioudstyrstypen defineret i dette dokument er i overensstemmelse med direktiv 2014/53/EU. EU-overensstemmelseserklæringens fulde tekst kan findes på følgende internetadresse: www.rfsolutions.co.uk

DE - Hiermit erkläre RF Solutions Limited, dass der Funkanlagentyp in diesem Dokument definiert der Richtlinie 2014/53/EU entspricht. Der vollständige Text der EU-Konformitätserklärung ist unter der folgenden Internetadresse verfügbar: www.rfsolutions.co.uk

EL - Με την παρούσα ο/η RF Solutions Limited, δηλώνει ότι ο ραδιοεξοπλισμός ορίζεται σε αυτό το έγγραφο πληροί την οδηγία 2014/53/ΕΕ. Το πλήρες κείμενο της δήλωσης συμμόρφωσης ΕΕ διατίθεται στην ακόλουθη ιστοσελίδα στο διαδίκτυο: www.rfsolutions.co.uk

EN - Hereby, RF Solutions Limited declares that the radio equipment type defined within this document is in compliance with Directive 2014/53/EU. The full text of the EU declaration of conformity is available at the following internet address: www.rfsolutions.co.uk

ES - Por la presente, RF Solutions Limited declara que el tipo de equipo radioeléctrico definido dentro de este documento es conforme con la Directiva 2014/53/UE. El texto completo de la declaración UE de conformidad está disponible en la dirección Internet siguiente: www.rfsolutions.co.uk

ET - Käesolevaga deklareerib RF Solutions Limited, et käesolev raadioseadme tüüp määratletud selles dokumendis vastab direktiivi 2014/53/EL nõuetele. ELi vastavusdeklaratsiooni täielik tekst on kättesaadav järgmisel internetiaadressil: www.rfsolutions.co.uk

FI - RF Solutions Limited vakuuttaa, että radiolaitetyypin määrättyä selles dokumendis on direktiivin 2014/53/EU mukainen. EU-vaatimustenmukaisuusvakuutuksen täysimittainen teksti on saatavilla seuraavassa internetosoitteessa: www.rfsolutions.co.uk

FR - Le soussigné, RF Solutions Limited, déclare que l'équipement radioélectrique du type défini dans ce document est conforme à la directive 2014/53/UE. Le texte complet de la déclaration UE de conformité est disponible à l'adresse internet suivante: www.rfsolutions.co.uk

HR - RF Solutions Limited ovime izjavljuje da je radijska oprema tipa definirani u ovom dokumentu u skladu s Direktivom 2014/53/EU. Cjeloviti tekst EU izjave o skladnosti dostupan je na sljedećoj internetskoj adresi: www.rfsolutions.co.uk

HU - RF Solutions Limited igazolja, hogy a dokumentumban meghatározottak szerint típusú rádióberendezés megfelel a 2014/53/EU irányelvnek. Az EU-megfelelőségi nyilatkozat teljes szövege elérhető a következő internetes címen: www.rfsolutions.co.uk

IT - Il fabbricante, RF Solutions Limited, dichiara che il tipo di apparecchiatura radio definito all'interno di questo documento è conforme alla direttiva 2014/53/UE. Il testo completo della dichiarazione di conformità UE è disponibile al seguente indirizzo Internet: www.rfsolutions.co.uk

LT - Aš, RF Solutions Limited, patvirtinu, kad radijo įrenginių tipas apibrėžta šiame dokumente atitinka Direktyvą 2014/53/ES. Visas ES atitikties deklaracijos tekstas prieinamas šiuo interneto adresu: www.rfsolutions.co.uk

LV - Ar šo RF Solutions Limited deklarē, ka radioiekārta kas definēts šajā dokumentā atbilst Direktīvai 2014/53/ES. Pilns ES atbilstības deklarācijas teksts ir pieejams šādā interneta vietnē: www.rfsolutions.co.uk

MT - B'dan, RF Solutions Limited, niddikjara li dan it-tip ta' tagħmir tar-radju definit f'dan id-dokument huwa konformi mad-Direttiva 2014/53/UE. It-test kollu tad-dikjarazzjoni ta' konformità tal-UE huwa disponibbli f'dan l-indirizz tal-Internet li ġej: www.rfsolutions.co.uk

NL - Hierbij verklaar ik, RF Solutions Limited, dat het type radioapparatuur gedefinieerd in dit document conform is met Richtlijn 2014/53/EU. De volledige tekst van de EU-conformiteitsverklaring kan worden geraadpleegd op het volgende internetadres: www.rfsolutions.co.uk

PL - RF Solutions Limited niniejszym oświadcza, że typ urządzenia radiowego zdefiniowane w tym dokumencie jest zgodny z dyrektywą 2014/53/UE. Pełny tekst deklaracji zgodności UE jest dostępny pod następującym adresem internetowym: www.rfsolutions.co.uk

PT - O(a) abaixo assinado(a) RF Solutions Limited declara que o presente tipo de equipamento de rádio definido neste documento está em conformidade com a Diretiva 2014/53/UE. O texto integral da declaração de conformidade está disponível no seguinte endereço de Internet: www.rfsolutions.co.uk

RO - Prin prezenta, RF Solutions Limited declară că tipul de echipamente radio definit în acest document este în conformitate cu Directiva 2014/53/UE. Textul integral al declarației UE de conformitate este disponibil la următoarea adresă internet: www.rfsolutions.co.uk

SK - RF Solutions Limited týmto vyhlasuje, že rádiové zariadenie typu definované v tomto dokumente je v súlade so smernicou 2014/53/EU. Úplné EÚ vyhlásenie o zhode je k dispozícii na tejto internetovej adrese: www.rfsolutions.co.uk

SL - RF Solutions Limited potrjuje, da je tip radijske opreme opredeljeno v tem dokumentu skladen z Direktivo 2014/53/EU. Celotno besedilo izjave EU o skladnosti je na voljo na naslednjem spletnem naslovu: www.rfsolutions.co.uk

SV - Härmed försäkrar RF Solutions Limited att denna typ av radioutrustning definieras i detta dokument överensstämmer med direktiv 2014/53/EU. Den fullständiga texten till EU-försäkran om överensstämmelse finns på följande webbadress: www.rfsolutions.co.uk

RF Solutions Ltd. Recycling Notice

Meets the following EC Directives:

DO NOT

Discard with normal waste, please recycle.

ROHS Directive 2011/65/EU and amendment 2015/863/EU

Specifies certain limits for hazardous substances.

WEEE Directive 2012/19/EU

Waste electrical & electronic equipment. This product must be disposed of through a licensed WEEE collection point. RF Solutions Ltd., fulfils its WEEE obligations by membership of an approved compliance scheme.

Environment Agency Registration Number: **WEE/JB0104WW**.



Disclaimer:

Whilst the information in this document is believed to be correct at the time of issue, RF Solutions Ltd does not accept any liability whatsoever for its accuracy, adequacy or completeness. No express or implied warranty or representation is given relating to the information contained in this document. RF Solutions Ltd reserves the right to make changes and improvements to the product(s) described herein without notice. Buyers and other users should determine for themselves the suitability of any such information or products for their own particular requirements or specification(s). RF Solutions Ltd shall not be liable for any loss or damage caused as a result of user's own determination of how to deploy or use RF Solutions Ltd's products. Use of RF Solutions Ltd products or components in life support and/or safety applications is not authorised except with express written approval. No licences are created, implicitly or otherwise, under any of RF Solutions Ltd's intellectual property rights. Liability for loss or damage resulting or caused by reliance on the information contained herein or from the use of the product (including liability resulting from negligence or where RF Solutions Ltd was aware of the possibility of such loss or damage arising) is excluded. This will not operate to limit or restrict RF Solutions Ltd's liability for death or personal injury resulting from its negligence.