

Quick Start Guide

MIMXRT685-EVK

Evaluation kit for the i.MX RT600 family of crossover MCUs

300 MHz Arm® Cortex®-M33 MCU

600 MHz Tensilica® Hi-Fi 4 DSP

4.5 MB SRAM, Dedicated 128KB/96KB DSP TCM/Cache

High-Speed Octal/QuadSPI for Execute-in-Place



Quick Start Guide

GET TO KNOW THE MIMXRT685-EVK BOARD

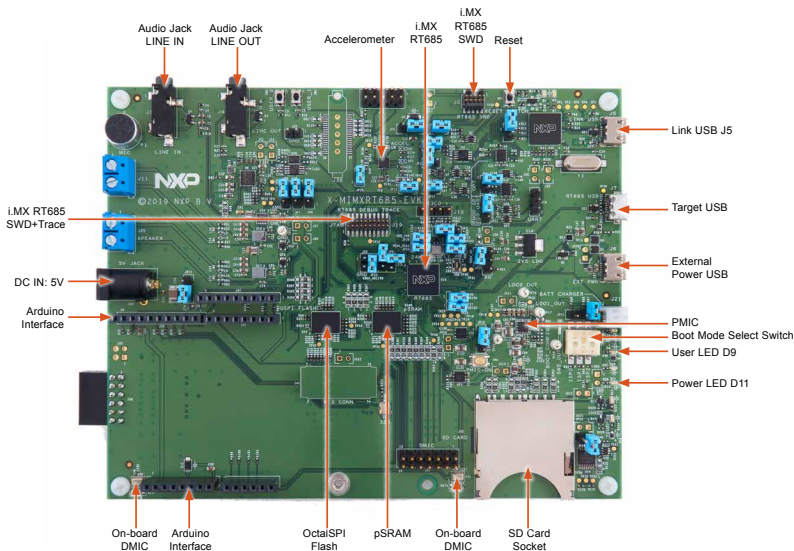
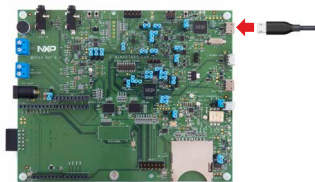


Figure 1: MIMXRT685-EVK Callouts

HOW TO GET STARTED

1. Connect the MIMXRT685-EVK board to a PC using the included micro USB cable to Link USB J5. The power LED, D11, will illuminate.
2. The MIMXRT685-EVK board comes pre-programmed with a demo. To verify the demo is running, LED D9 will blink on/off. The demo exercises the Cortex-M33 and DSP.
3. For more information on running the demo, access to additional out of the box demos and to download software and tools, please visit: www.nxp.com/MIMXRT685-EVK/startnow



SUPPORT

Visit www.nxp.com/support for a list of phone numbers within your region.

WARRANTY

Visit www.nxp.com/warranty for complete warranty information.



Get Started

Download installation software and documentation at www.nxp.com/MIMXRT685-EVK.

www.nxp.com

NXP and the NXP logo are trademarks of NXP B.V. All other product or service names are the property of their respective owners. © 2020 NXP B.V.

Document Number: IMXRT685QSG REV 2

Agile Number: 926-78989 Rev C