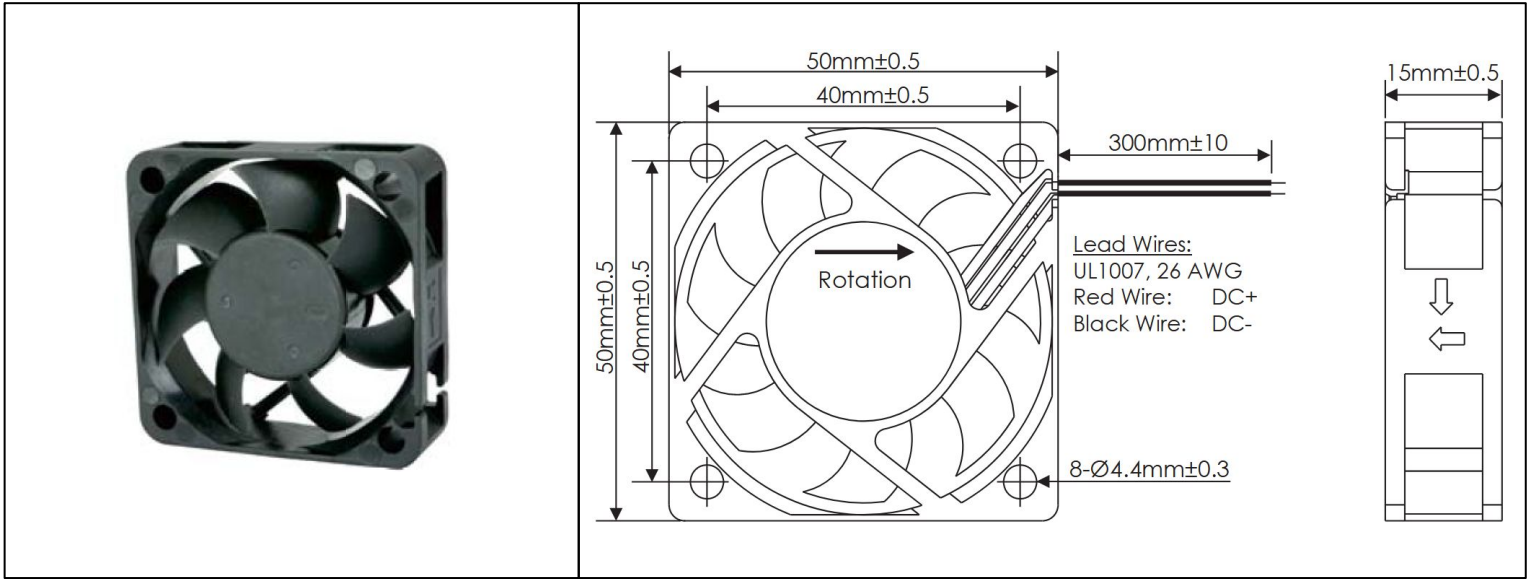


# OD5015 Series



DC Fans - 5, 12, 24V  
50mm x 50mm x 15mm  
(2.0" x 2.0" x 0.6")



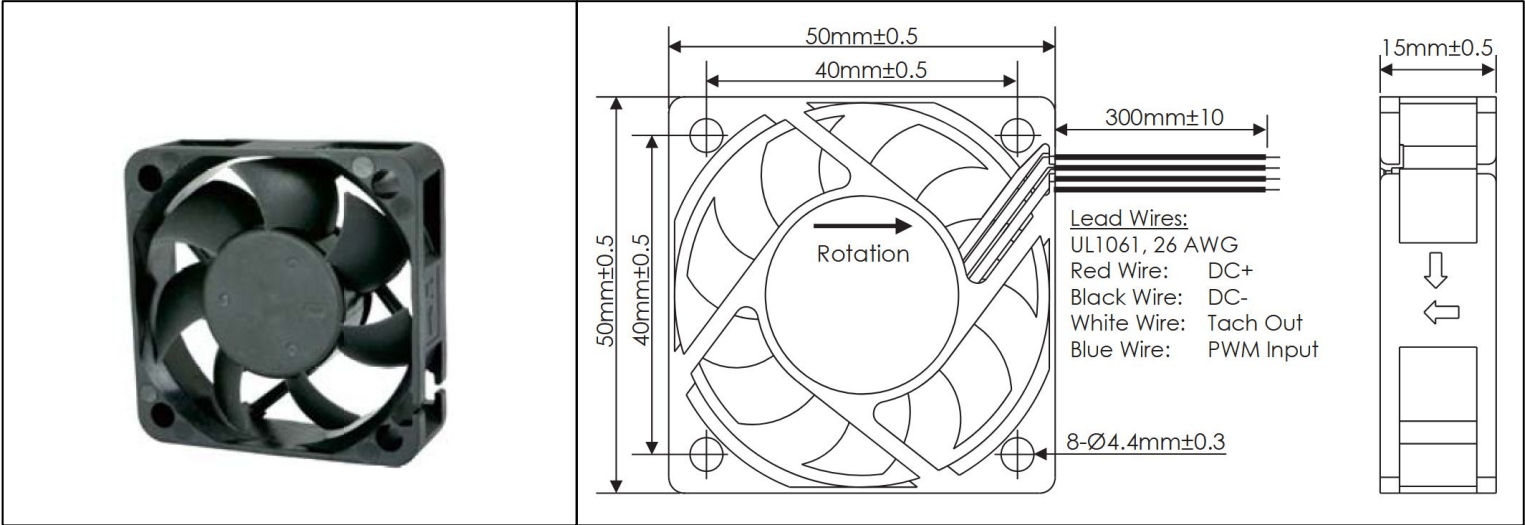
<b>Frame</b>	PBT, UL94 V-0 Plastic	<b>Operating Temperature</b> -20°C ~ +65°C  <b>Storage Temperature</b> -20°C ~ +75°C  <b>Life Expectancy</b> 70,000 Hours (L10 at 40°C)  <b>Available Options</b> PWM Speed Control Input Tachometer Outputs Alarm Outputs IP Ratings 48V Option  Weight: 0.08 lbs	
<b>Impeller</b>	PBT, UL94 V-0 Plastic		
<b>Connection</b>	2x Wire Leads, 26 AWG		
<b>Motor</b>	Brushless DC, Auto Cutoff, Auto Restart, Electronically Protected, Polarity Protected		
<b>Bearing System</b>	Ball Bearings		
<b>Dielectric Strength</b>	500VDC/min, <1mA		
<b>Insulation Resistance</b>	≥10MΩ @ 500VDC		

Part Number	Rated Voltage (Volts DC)	Voltage Range (Volts DC)	Input Power (Watts)	Rated Current (Amps)	Rated Speed (RPM)	Max Airflow (CFM)	Noise Level (dBA)	Max Static Pressure ("H <sub>2</sub> O)
OD5015-05HB	5	4.5 ~ 5.5	0.8	0.13	5475	14	32.1	0.20
OD5015-05MB	5	4.5 ~ 5.5	0.5	0.08	4180	11	25.2	0.16
OD5015-12HHB	12	9 ~ 13.8	2.4	0.20	6950	17	36.2	0.25
OD5015-12HB	12	9 ~ 13.8	1.1	0.09	5475	14	32.1	0.20
OD5015-12MB	12	9 ~ 13.8	0.8	0.06	4180	11	25.2	0.16
OD5015-24HB	24	16 ~ 26	1.5	0.06	5475	14	32.1	0.20
OD5015-24MB	24	16 ~ 26	1.0	0.04	4180	11	25.2	0.16

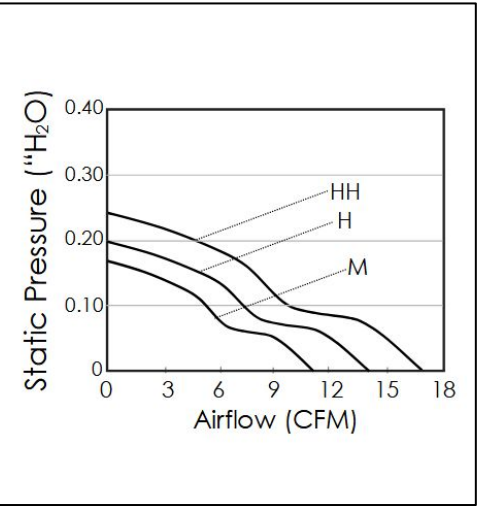
# OD5015 Series with PWM and Tachometer



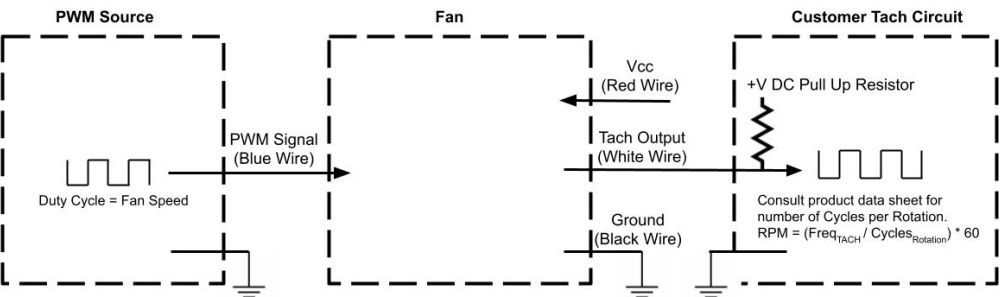
DC Fans - 5, 12, 24V  
50mm x 50mm x 15mm  
(2.0" x 2.0" x 0.6")



Frame	PBT, UL94 V-0 Plastic	<b>Operating Temperature</b> -20°C ~ +65°C
Impeller	PBT, UL94 V-0 Plastic	
Connection	4x Wire Leads, 26 AWG	<b>Storage Temperature</b> -20°C ~ +75°C
Motor	Brushless DC, Auto Cutoff, Auto Restart, Electronically Protected, Polarity Protected	
Bearing System	Ball Bearings	<b>Life Expectancy</b> 70,000 Hours (L10 at 40°C)
Dielectric Strength	500VDC/min, <1mA	
Insulation Resistance	≥10MΩ @ 500VDC	<b>Installed Options</b> PWM Speed Control Input Open Collector Tach Outputs
		<b>Available Options</b> 5V TTL Tach Output
		Weight: 0.08 lbs



Part Number	Rated Voltage (Volts DC)	Voltage Range (Volts DC)	Input Power (Watts)	Rated Current (Amps)	Rated Speed (RPM)	Max Airflow (CFM)	Noise Level (dBA)	Max Static Pressure ("H <sub>2</sub> O)
OD5015-05HB10A	5	4.5 ~ 5.5	0.8	0.13	5475	14	32.1	0.20
OD5015-05MB10A	5	4.5 ~ 5.5	0.5	0.08	4180	11	25.2	0.16
OD5015-12HHB10A	12	9 ~ 13.8	2.4	0.20	6950	17	36.2	0.25
OD5015-12HB10A	12	9 ~ 13.8	1.1	0.09	5475	14	32.1	0.20
OD5015-12MB10A	12	9 ~ 13.8	0.8	0.06	4180	11	25.2	0.16
OD5015-24HB10A	24	16 ~ 26	1.5	0.06	5475	14	32.1	0.20
OD5015-24MB10A	24	16 ~ 26	1.0	0.04	4180	11	25.2	0.16

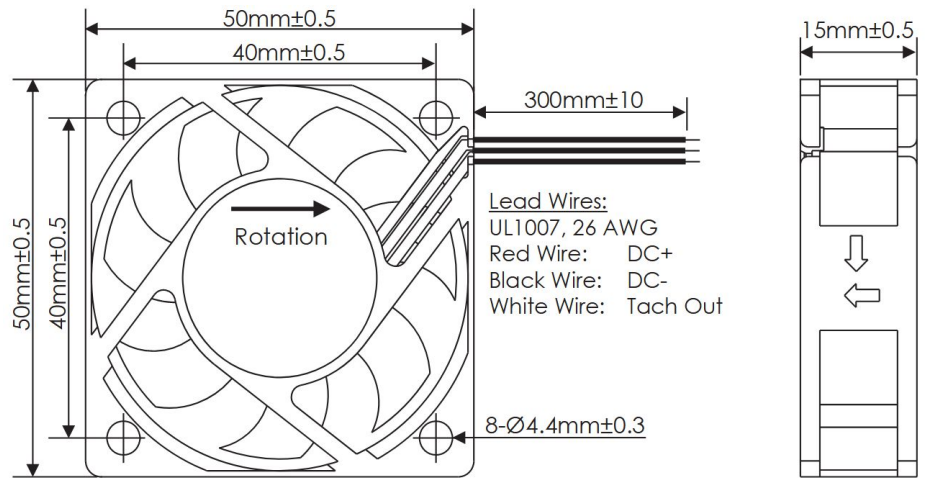


- PWM Max High Voltage: 5.5V
- PWM Max Sink Current: 5mA
- PWM Frequency Range: 1KHz-100KHz
- PWM Typical Frequency: 25KHz
- RPM at 0% Duty Cycle: 0 RPM
- RPM will be full speed if PWM input is disconnected.
- RPM will be 0 if PWM input is 0V or grounded.
- Tach Max Pullup Voltage: Fan Vcc
- Tach Max Sink Current: 5mA
- Tach Cycles per Rotation: 2

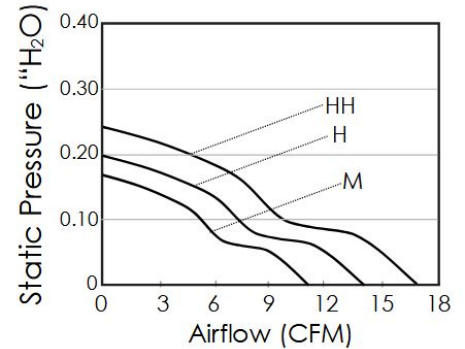
# OD5015 Series with Tachometer



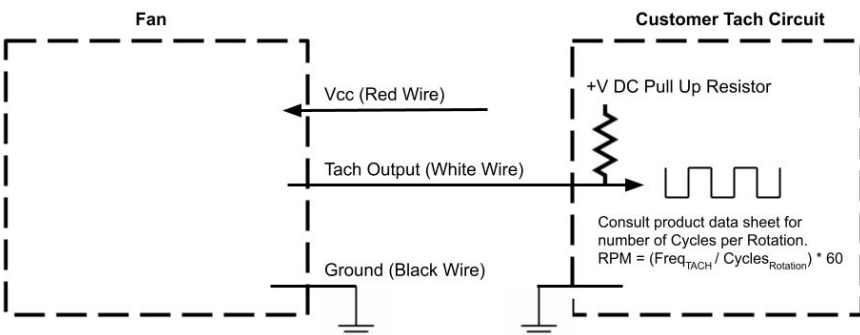
DC Fans - 5, 12, 24V  
50mm x 50mm x 15mm  
(2.0" x 2.0" x 0.6")



Frame	PBT, UL94 V-0 Plastic	<b>Operating Temperature</b> -20°C ~ +65°C
Impeller	PBT, UL94 V-0 Plastic	
Connection	3x Wire Leads, 26 AWG	<b>Storage Temperature</b> -20°C ~ +75°C
Motor	Brushless DC, Auto Cutoff, Auto Restart, Electronically Protected, Polarity Protected	
Bearing System	Ball Bearings	<b>Life Expectancy</b> 70,000 Hours (L10 at 40°C)
Dielectric Strength	500VDC/min, <1mA	<b>Installed Options</b> Open Collector Tach Outputs
Insulation Resistance	≥10MΩ @ 500VDC	<b>Available Options</b> 5V TTL Tach Output
		Weight: 0.08 lbs



Part Number	Rated Voltage (Volts DC)	Voltage Range (Volts DC)	Input Power (Watts)	Rated Current (Amps)	Rated Speed (RPM)	Max Airflow (CFM)	Noise Level (dBA)	Max Static Pressure ("H <sub>2</sub> O)
OD5015-05HB01A	5	4.5 ~ 5.5	0.8	0.13	5475	14	32.1	0.20
OD5015-05MB01A	5	4.5 ~ 5.5	0.5	0.08	4180	11	25.2	0.16
OD5015-12HHB01A	12	9 ~ 13.8	2.4	0.20	6950	17	36.2	0.25
OD5015-12HB01A	12	9 ~ 13.8	1.1	0.09	5475	14	32.1	0.20
OD5015-12MB01A	12	9 ~ 13.8	0.8	0.06	4180	11	25.2	0.16
OD5015-24HB01A	24	16 ~ 26	1.5	0.06	5475	14	32.1	0.20
OD5015-24MB01A	24	16 ~ 26	1.0	0.04	4180	11	25.2	0.16

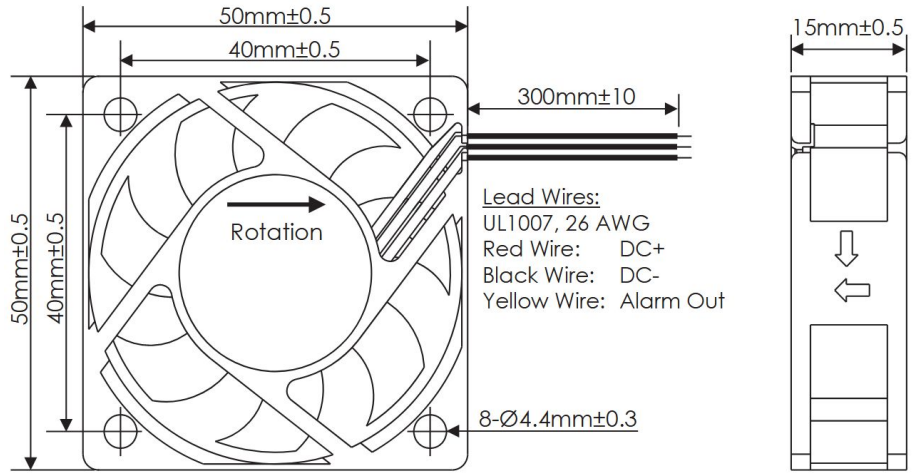


Tach Max Pullup Voltage: Fan Vcc  
Tach Max Sink Current: 5mA  
Tach Cycles per Rotation: 2

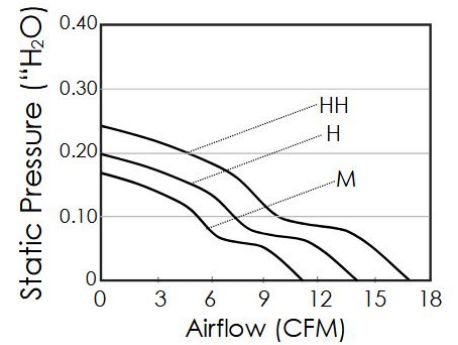
# OD5015 Series with Alarm



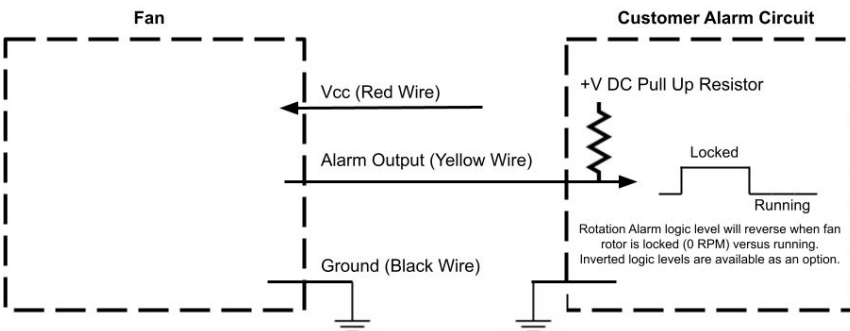
DC Fans - 5, 12, 24V  
50mm x 50mm x 15mm  
(2.0" x 2.0" x 0.6")



Frame	PBT, UL94 V-0 Plastic	<b>Operating Temperature</b> -20°C ~ +65°C  <b>Storage Temperature</b> -20°C ~ +75°C  <b>Life Expectancy</b> 70,000 Hours (L10 at 40°C)  <b>Installed Options</b> Open Collector Alarm Outputs  <b>Available Options</b> 5V TTL Alarm Output Inverted Alarm State  Weight: 0.08 lbs
Impeller	PBT, UL94 V-0 Plastic	
Connection	3x Wire Leads, 26 AWG	
Motor	Brushless DC, Auto Cutoff, Auto Restart, Electronically Protected, Polarity Protected	
Bearing System	Ball Bearings	
Dielectric Strength	500VDC/min, <1mA	
Insulation Resistance	≥10MΩ @ 500VDC	



Part Number	Rated Voltage (Volts DC)	Voltage Range (Volts DC)	Input Power (Watts)	Rated Current (Amps)	Rated Speed (RPM)	Max Airflow (CFM)	Noise Level (dBA)	Max Static Pressure ("H <sub>2</sub> O)
OD5015-05HB02A	5	4.5 ~ 5.5	0.8	0.13	5475	14	32.1	0.20
OD5015-05MB02A	5	4.5 ~ 5.5	0.5	0.08	4180	11	25.2	0.16
OD5015-12HHB02A	12	9 ~ 13.8	2.4	0.20	6950	17	36.2	0.25
OD5015-12HB02A	12	9 ~ 13.8	1.1	0.09	5475	14	32.1	0.20
OD5015-12MB02A	12	9 ~ 13.8	0.8	0.06	4180	11	25.2	0.16
OD5015-24HB02A	24	16 ~ 26	1.5	0.06	5475	14	32.1	0.20
OD5015-24MB02A	24	16 ~ 26	1.0	0.04	4180	11	25.2	0.16



Alarm Max Pullup Voltage: Fan Vcc  
 Alarm Max Sink Current: 5mA  
 Alarm Active State: HIGH