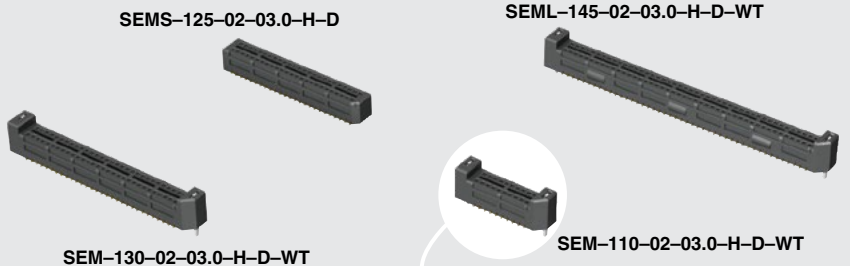




TIGER EYE™
SYSTEM



(0.80 mm) .0315"

SEM, SEMS, SEML SERIES

MICRO TIGER EYE™ SOCKET

SPECIFICATIONS

For complete specifications and recommended PCB layouts see www.samtec.com?SEM, www.samtec.com?SEMS or www.samtec.com?SEML

Insulator Material: Black Liquid Crystal Polymer
Contact Material: BeCu
Plating: Au or Sn over 50 μ" (1.27 μm) Ni
Operating Temp Range: -55 °C to +125 °C
Current Rating (SEM/TEM): 2.6 A per pin (2 pins powered)
Voltage Rating: 235 VAC/330 VDC
RoHS Compliant: Yes

PROCESSING

Lead-Free Solderable: Yes
SMT Lead Coplanarity: (0.10 mm) .004" max

RECOGNITIONS

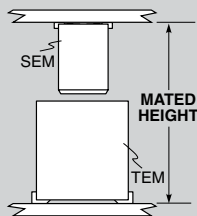
For complete scope of recognitions see www.samtec.com/quality



OTHER SOLUTIONS

- Board Stacking: See SFM, TFM Series
- Cable Assemblies: See SFSD, TFSD Series

MATED HEIGHT



TEM LEAD STYLE	MATED HEIGHT*
-03.0	6 mm
-04.0	7 mm
-07.0	10 mm

*Processing conditions will affect mated height.

Note: Some sizes, styles and options are non-standard, non-returnable.

SEM, SEML Mates with: TEM

SEMS Mates with: TEMS

POWER/SIGNAL APPLICATION

Compatible with UMPT/UMPS for flexible two-piece power/signal solutions

High-reliability Tiger Eye™ contacts

Choice of mated heights

Weld tab

TIGER EYE™ CONTACT

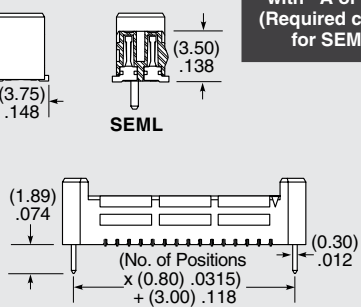
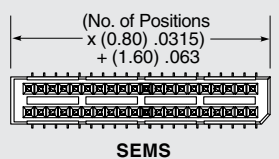
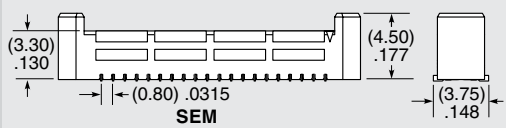
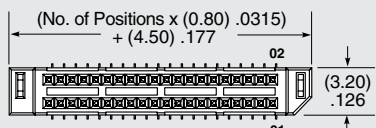
HIGH-SPEED CHANNEL PERFORMANCE

Rating based on Samtec reference channel. For full SI performance data visit Samtec.com or contact SIG@samtec.com

8 Gbps

10 YEAR MFG WITH 30 μ" GOLD
EXTENDED LIFE PRODUCT
 HIGH MATING CYCLES

TYPE STRIP	NO. PINS PER ROW	STACK HEIGHT	PLATING OPTION	OPTION	OTHER OPTION
1	02	-03.0	-FG = Gold Flash	D	-K
SEM = Tiger Eye™ Strip	05, 10, 15, 20, 25 30, 35, 40, 45, 50 (SEM/SEML only) (Standard sizes)	= 6 mm, 7 mm or 10 mm Stack Height when mated with TEM/TEMS Series (SEML only available with 6 mm Stack Height)	-G = 10 μ" (0.25 μm) Gold on contact, Gold Flash on tail	-A = Alignment Pin (Not available with -LC or -WT)	= (3.50 mm) .138" DIA Polyimide film Pick & Place Pad (Required for SEMS)
SEMS = Tiger Eye™ Slim Strip			-H = 30 μ" (0.76 μm) Gold on contact, Gold Flash on tail	-LC = Locking Clip (Not available with -A or -WT) (Manual placement required)	-TR = Tape & Reel (Required for SEMS)
SEML = Tiger Eye™ Friction Lock				-WT = Weld Tab (Not available with -A or -LC) (Required callout for SEML)	-FR = Full Reel Tape & Reel (must order max. quantity per reel; contact Samtec for quantity breaks)



ALSO AVAILABLE (MOQ Required)

- Other sizes
- Other platings