



WWW.BARRYIND.COM

TVC2525CT-50R0JN-2T-09



ALUMINUM NITRIDE

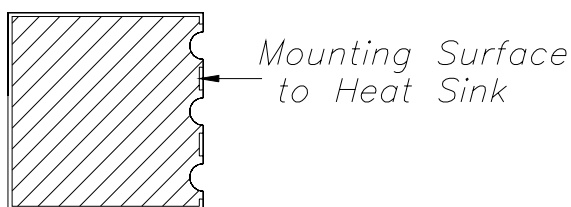
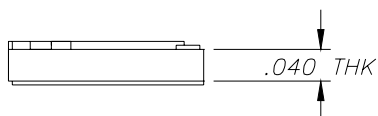
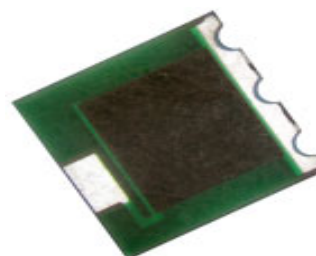
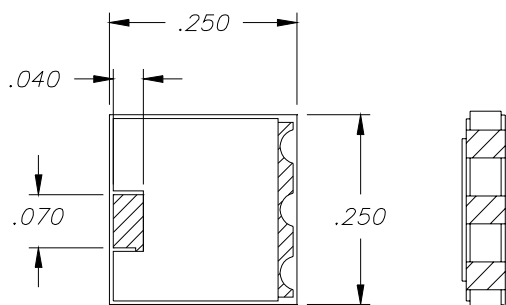
CHIP TERMINATION

Features:

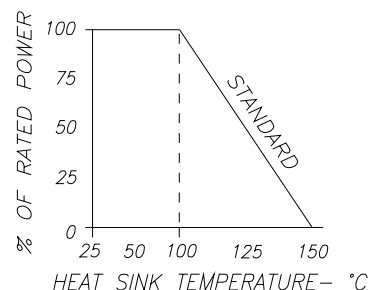
- ◆ AIN material
- ◆ 100 Watt Power Rating
- ◆ Solder Mount

General Description:

The TVC2525CT-50R0JN-2T-09 is a 50 Ohm Aluminum Nitride Termination capable of dissipating 100 Watts while maintaining a constant 100°C heat sink temperature. It offers an excellent frequency range from DC to 4 GHz.



DERATING CURVE:



Parameter	Min.	Typ.	Max.	Units
Frequency Range	DC		4	GHz
Return Loss	19			dB
Power			100	Watts
Heat Sink Temperature			100	°C

* Barry Industries reserves the right to change part number and or process without notification

Barry Industries, Inc., 60 Walton St., Attleboro, MA 02703 T: 508-226-3350 F: 508-226-3317 E-mail: sales@barryind.com

Barry Industries maintains an ISO 9001 Certified Quality Management System

Origination Date	Revision Date	Rev.
09/11/06	09/11/06	-